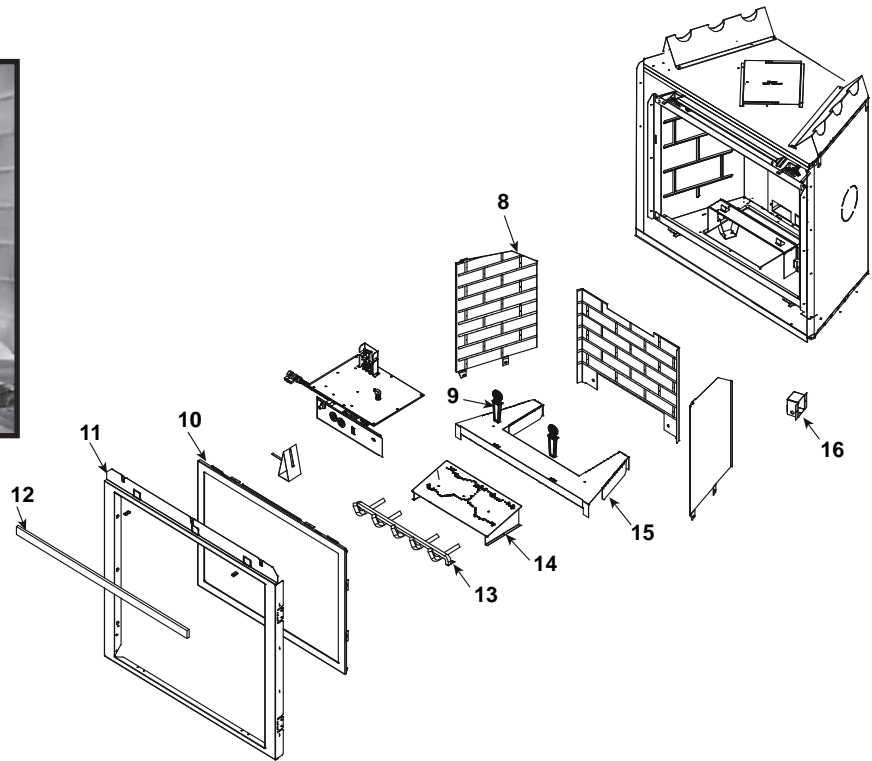


Log Set Assembly



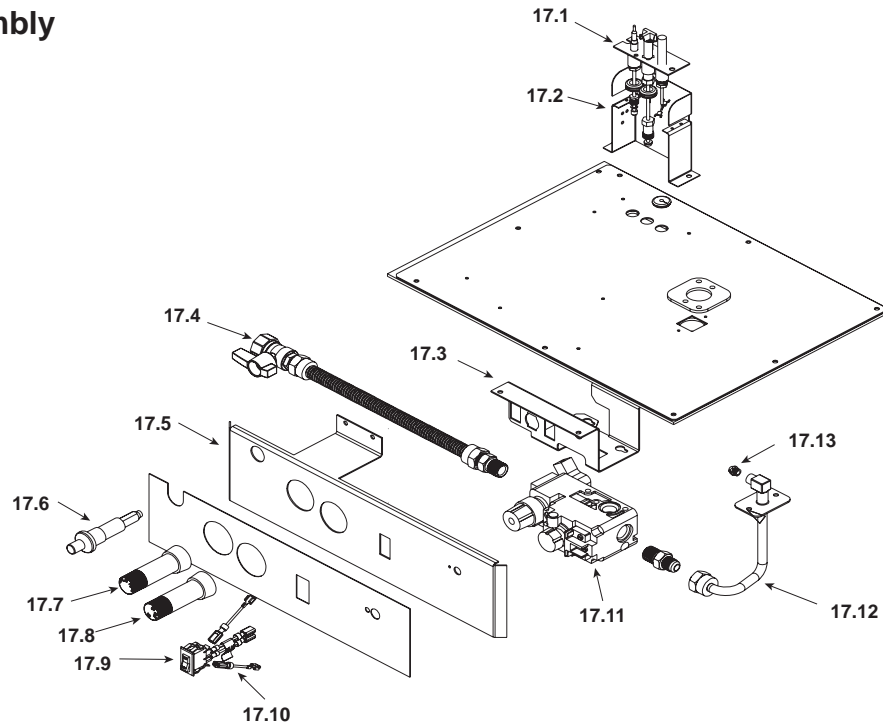
IMPORTANT: THIS IS DATED INFORMATION. Parts must be ordered from a dealer or distributor. **Hearth and Home Technologies does not sell directly to consumers.** Provide model number and serial number when requesting service parts from your dealer or distributor.



Stocked at Depot

ITEM	DESCRIPTION	COMMENTS	PART NUMBER	
	Log Set Assembly	No longer available	LOGS-295	
1	Log 1	No longer available	SRV364-701	
2	Log 2	No longer available	SRV364-706	
3	Log 3	No longer available	SRV364-707	
4	Log 4	No longer available	SRV364-702	
5	Log 5	No longer available	SRV364-704	
6	Log 6	No longer available	SRV364-705	
7	Log 7	No longer available	SRV278-707	
8	Refractory Kit (Sold as set only)		BRICK-295	
9	Andirons, Cast		80784	
10	Glass Door Assembly		GLA-6TROC	Y
11	Surround		385-130	
12	Insulation Board		385-401	
13	Log Grate		292-360A	
14	Burner NG	No longer available	362-176A	
	Burner LP	No longer available	362-175A	
15	Base Refractory NG, LP		292-124	
16	Junction Box		100-250A	Y

#17 Valve Assembly



IMPORTANT: THIS IS DATED INFORMATION. Parts must be ordered from a dealer or distributor. **Hearth and Home Technologies does not sell directly to consumers.** Provide model number and serial number when requesting service parts from your dealer or distributor.



Stocked
at Depot

ITEM	DESCRIPTION	COMMENTS	PART NUMBER	
17.1	Pilot Assembly NG		485-510A	Y
	Pilot Assembly LP		485-511A	Y
	Pilot Tube		SRV485-301	Y
	Thermocouple		446-511	Y
	Thermopile		2103-512	Y
17.2	Pilot Bracket		385-164	
17.3	Valve Bracket		2025-101	
17.4	Flex Ball Valve Assembly		302-320A	Y
17.5	Control Panel	No longer available	295-119	
17.6	Piezo Ignitor		291-513	Y
17.7	Flame Control Knob	No longer available	571-531	Y
17.8	Pilot Control Knob		571-530	Y
17.9	ON/OFF Rocker Switch		060-521A	Y
17.10	Jumper Wire		049-552A	Y
17.11	Valve NG		060-522	Y
	Valve LP		060-523	Y
17.12	Flexible Gas Connector		383-302A	Y
17.13	Burner Orifice NG (#36C)		582-836	Y
	Burner Orifice LP (#51C)		582-851	Y

Additional service part numbers may appear on following page.

