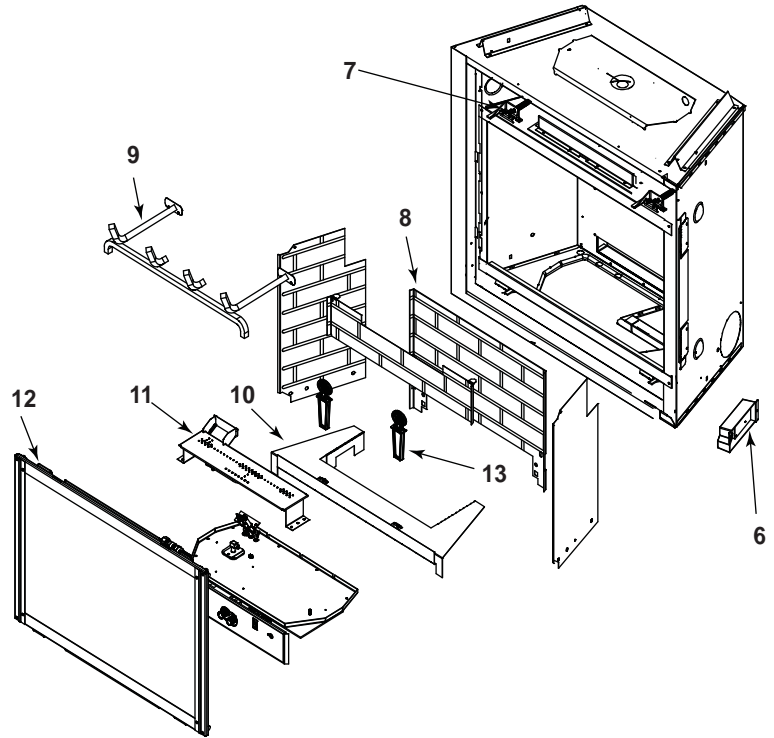


Log Set Assembly



IMPORTANT: THIS IS DATED INFORMATION. When requesting service or replacement parts for your appliance please provide model number and serial number. All parts listed in this manual may be ordered from an authorized dealer.

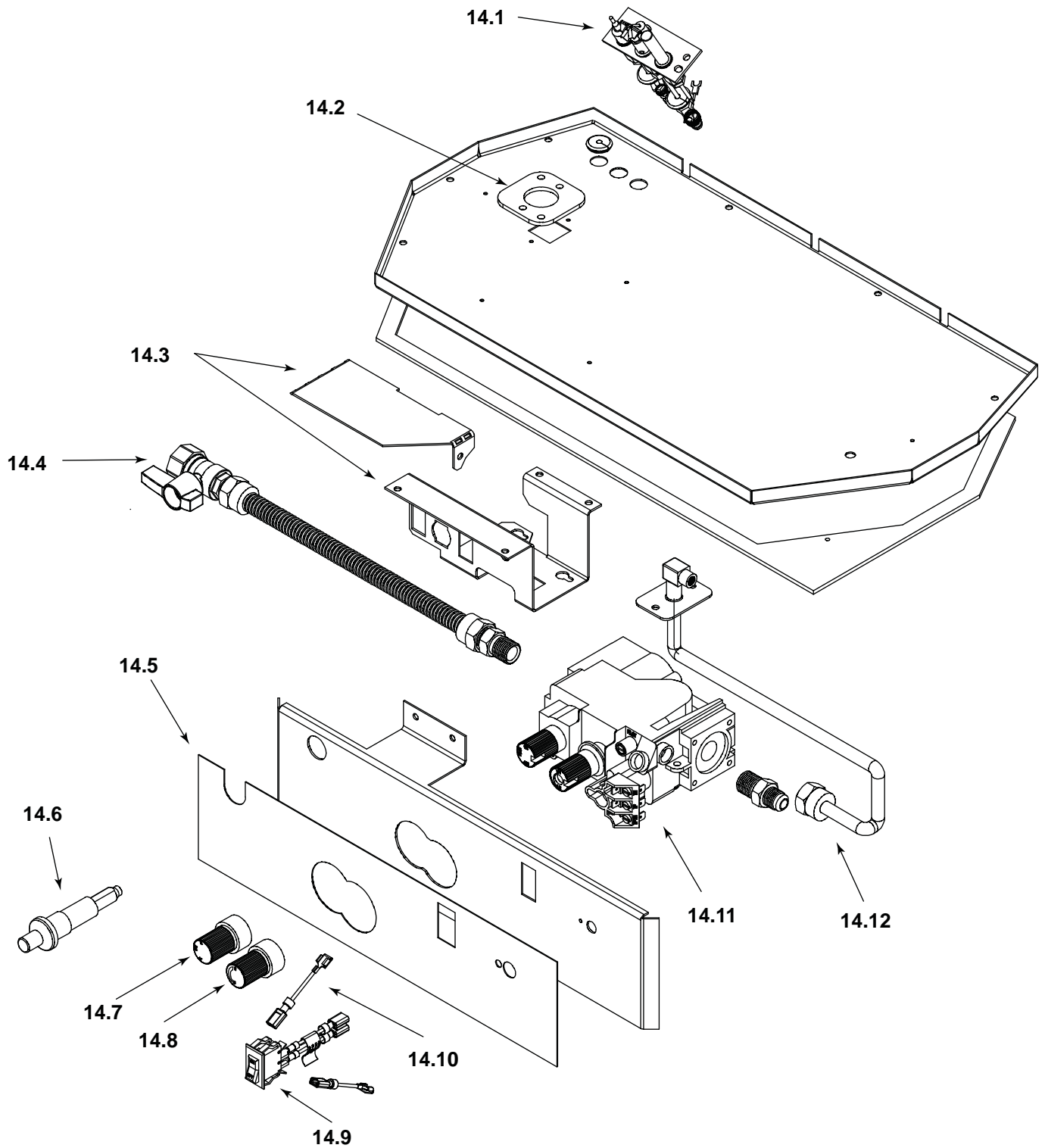


Stocked at Depot

ITEM	DESCRIPTION	COMMENTS	PART NUMBER	Stocked at Depot
	Log Set Assembly		LOGS-2013	Y
1	Log 1		SRV2014-701	
2	Log 2		SRV2014-703	
3	Log 3		SRV2014-702	
4	Log 4		SRV780-707	
5	Log 5		SRV2014-704	
6	Junction Box		100-250A	Y
7	Glass Latch Assembly	Pkg of 2	386-122A/2	Y
8	Refractory Kit (Sold as set only)		BRICK-296	
9	Log Grate		2014-001	
10	Base Refractory NG, LP		2013-100	
11	Burner	Pre 0021080519	2013-002	Y
		Post 0021080519	2013-018	Y
12	Glass Door Assembly		GLA-550TR	Y
13	Andirons, Cast		80784	
	Exhaust Restrictor		530-299	
	Lave Rock Bag		4021-297	
	Mineral Wool		050-721	
	Touch Up Paint		TUP-GBK-12	

Additional service part on following page.

#14 Valve Assembly



Part number list on following page.

IMPORTANT: THIS IS DATED INFORMATION. The most current information is located on your dealers' VIP site. When ordering, supply serial and model numbers to ensure correct service parts.



**Stocked
at Depot**

ITEM	DESCRIPTION	COMMENTS	PART NUMBER	
14.1	Pilot Assembly NG	Pre 0021080519	530-510A	Y
		Post 0021080519	2103-010	Y
	Pilot Assembly LP	Pre 0021080519	530-511A	Y
		Post 0021080519	2103-011	Y
	Pilot Tube	Pre 0021080519	SRV485-301	Y
		Post 0021080519	N/A	
	Thermocouple		446-511	Y
	Thermopile		2103-512	Y
14.2	Burner Neck Gasket		2045-407	
14.3	Valve Bracket / SIT Bracket ADP	Pre 0021080519	2025-101	
		Post 0021080519	2025-101/2044-155	
14.4	Flex Ball Valve Assembly		302-320A	Y
14.5	Control Panel	Pre 0021080519	291-119	
		Post 0021080519	291-125	
14.6	Piezo Ignitor		291-513	Y
14.7	Pilot Control Knob	Pre 0021080519	291-530	Y
		Post 0021080519	571-534	Y
14.8	Flame Control Knob	Pre 0021080519	291-531	Y
		Post 0021080519	571-533	Y
14.9	ON/OFF Rocker Switch		060-521A	Y
14.10	Jumper Wire		049-552A	Y
14.11	Valve NG	Pre 0021080519	060-522	Y
		Post 0021080519	230-0710	Y
	Valve LP	Pre 0021080519	060-523	Y
		Post 0021080519	230-0720	Y
14.12	Flexible Gas Connector		530-302A	Y
	Burner Orifice NG (#44C)		582-844	Y
	Burner Orifice LP (#54C)		582-854	Y
	Pilot Bracket	Pre 0021080519	530-164	
		Post 0021080519	N/A	
	Conversion Kit NG	Pre 0021080519	NGK-2013	Y
		Post 0021080519	NGKS-2013	Y
	Conversion Kit LP	Pre 0021080519	LPK-2013	Y
		Post 0021080519	LPKS-2013	Y
	Regulator NG	Pre 0021080519	060-518	Y
		Post 0021080519	230-1570	Y
	Regulator LP	Pre 0021080519	060-519	Y
		Post 0021080519	230-1520	Y
	Pilot Orifice NG	Pre 0021080519	446-505	Y
		Post 0021080519	2103-116	Y
	Pilot Orifice LP	Pre 0021080519	446-517	Y
		Post 0021080519	2103-117	Y