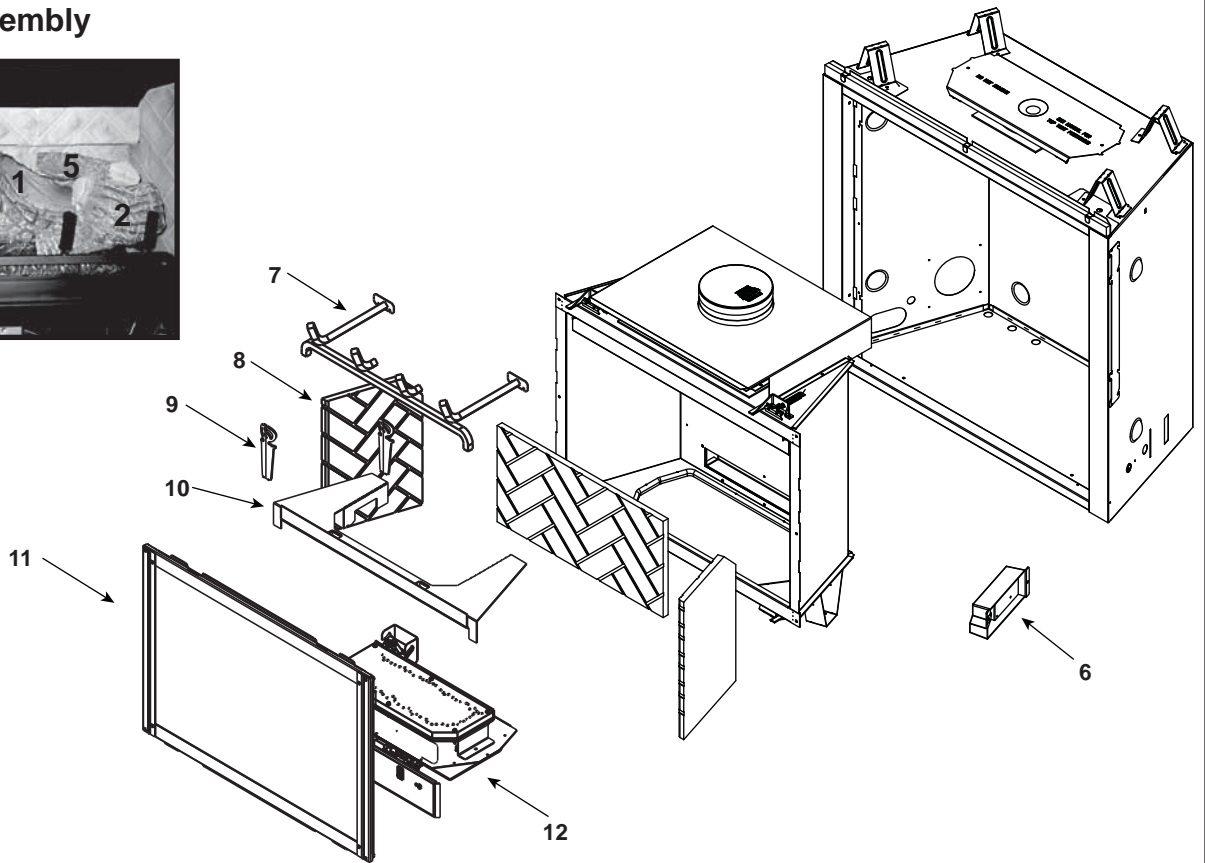


## Log Set Assembly



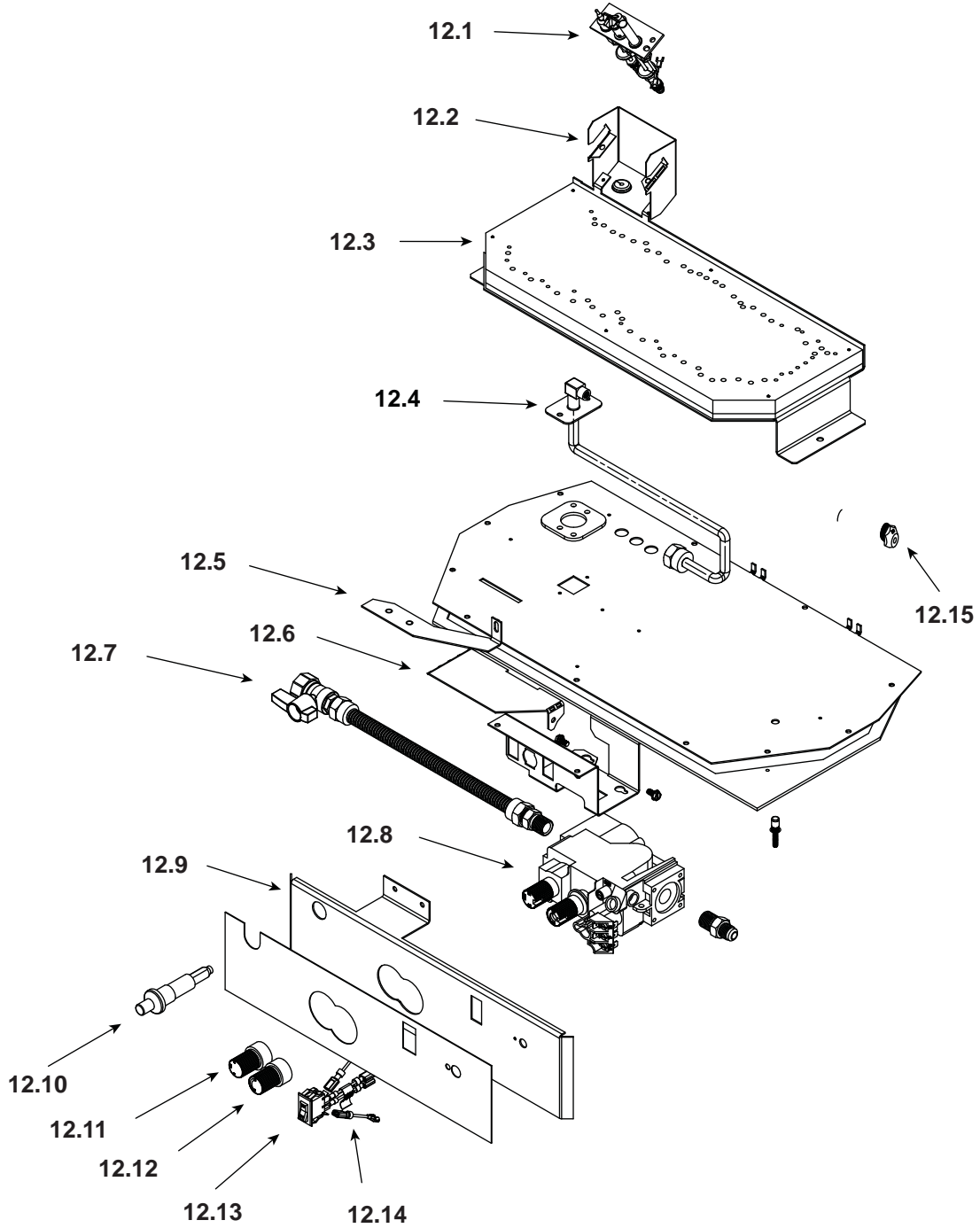
**IMPORTANT: THIS IS DATED INFORMATION.** When requesting service or replacement parts for your appliance please provide model number and serial number. All parts listed in this manual may be ordered from an authorized dealer.



**Stocked at Depot**

ITEM	DESCRIPTION	COMMENTS	PART NUMBER	
	Log Set Assembly		LOGS-2014	Y
1	Log 1		SRV2014-701	
2	Log 2		SRV2014-703	
3	Log 3		SRV2014-702	
4	Log 4		SRV780-707	
5	Log 5		SRV2014-704	
6	Junction Box	Pre Dec 2008	100-250A	Y
		Post Dec 2008	4021-013	Y
7	Log Grate		2014-001	
8	Refractory Kit (Sold as set only)	Pre June 2006	BRICK-293	
		Post June 2006	BRICK-293-2	
9	Andirons	Pre Nov 2008	80784	
		Post Nov 2008	2014-300	
10	Base Refractory NG, LP		2014-100	
11	Glass Door Assembly		GLA-550TRS	Y
12	Burner	See Valve Assembly Page		

**#12 Burner/Valve Assembly**



Part number list on following page.

Beginning Manufacturing Date: June 2003  
Ending manufacturing Date: Sept 2012

IMPORTANT: THIS IS DATED INFORMATION. When requesting service or replacement parts for your appliance please provide model number and serial number. All parts listed in this manual may be ordered from an authorized dealer.



**Stocked  
at Depot**

ITEM	DESCRIPTION	COMMENTS	PART NUMBER	
12.1	Pilot Assembly NG	Pre 0021080519	530-510A	Y
		Post 0021080519	2103-010	Y
	Pilot Assembly LP	Pre 0021080519	530-511A	Y
		Post 0021080519	2103-011	Y
	Pilot Tube	Pre 0021080519	SRV485-301	Y
		Post 0021080519	N/A	
	Thermocouple	Pre 0021080519	446-511	Y
		Post 0021080519	2103-511	Y
	Thermopile		2103-512	Y
12.2	Pilot Bracket	Pre 0021080519	2065-117	
		Post 0021080519	2065-136	
12.3	Burner	Pre 0021080519	2014-004	Y
		Post 0021080519	2014-014	Y
12.4	Flexible Gas Connector		530-302A	Y
12.5	Shutter Bucket Assembly		2026-017	Y
12.6	Valve Bracket / SIT Bracket Adaptor	Pre 0021080519	2025-101	
		SN# 0021080519 Thru Jan 2008	2025-101/2044-155	
		Post Feb 2008	2118-104A	
12.7	Flex Ball Valve Assembly		302-320A	Y
12.8	Valve NG	Pre 0021080519	060-522	Y
		Post 0021080519	230-0710	Y
	Valve LP	Pre 0021080519	060-523	Y
		Post 0021080519	230-0720	Y
12.9	Control Panel	Pre 0021080519	291-119	
		Post 0021080519	291-125	
12.10	Piezo Ignitor		291-513	Y
12.11	Pilot Control Knob	Pre 0021080519	291-530	Y
		Post 0021080519	571-533	Y
12.12	Flame Control Knob	Pre 0021080519	291-531	Y
		Post 0021080519	571-534	Y
12.13	ON/OFF Rocker Switch		060-521A	Y
12.14	Jumper Wire		049-552A	Y
12.15	Burner Orifice NG (#38C)		582-838	Y
	Burner Orifice LP (1.55mmC)		582-8155	Y

Additional service part numbers appear on following page.

