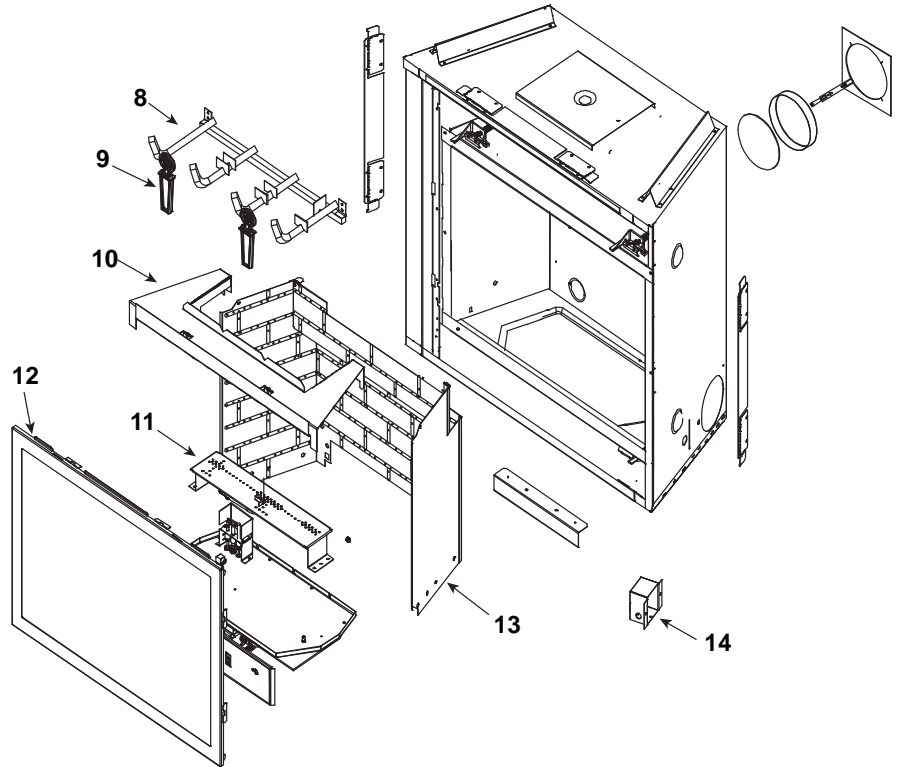
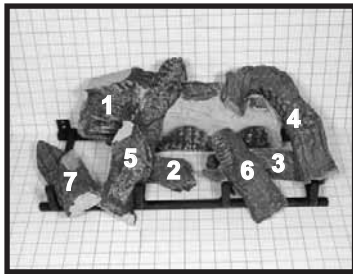


Log Set Assembly



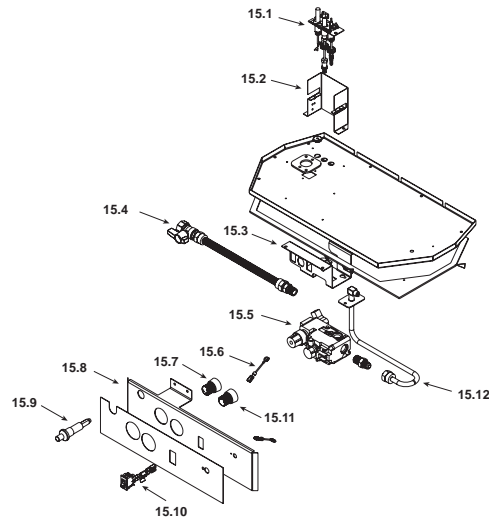
IMPORTANT: THIS IS DATED INFORMATION. When requesting service or replacement parts for your appliance please provide model number and serial number. All parts listed in this manual may be ordered from an authorized dealer.



Stocked at Depot

ITEM	DESCRIPTION	COMMENTS	PART NUMBER	
	Log Set Assembly	No longer available	LOGS-296	
1	Log 1	No longer available	SRV545-710	
2	Log 2	No longer available	SRV536-705	
3	Log 3	No longer available	SRV536-706	
4	Log 4		SRV536-704	
5	Log 5	No longer available	SRV536-718	
6	Log 6		SRV446-715	
7	Log 7		SRV484-705	
8	Grate Assembly		293-360A	
9	Andirons, Cast		80784	
10	Base Refractory NG, LP		296-124	
11	Burner	No longer available	557-231A	
		No longer available	536-233A	
12	Glass Door Assembly		GLA-550TR	Y
13	Refractory	Sold as Set Only	BRICK-296	
14	Junction Box		100-250A	Y
	Exhaust Restrictor		530-299	
	Lava Rock Bag		4021-297	
	Touch Up Paint		TUP-GBK-12	

#15 Valve Assembly



IMPORTANT: THIS IS DATED INFORMATION. When requesting service or replacement parts for your appliance please provide model number and serial number. All parts listed in this manual may be ordered from an authorized dealer.



**Stocked
at Depot**

ITEM	DESCRIPTION	COMMENTS	PART NUMBER	
15.1	Pilot Assembly NG		485-510A	Y
	Pilot Assembly LP		485-511A	Y
	Pilot Tube		SRV485-301	Y
	Thermocouple		446-511	
	Thermopile		2103-512	
15.2	Pilot Bracket		530-164	
15.3	Valve Bracket		2025-101	
15.4	Flex Ball Valve Assembly		302-320A	Y
15.5	Valve NG		060-522	Y
	Valve LP		060-523	Y
15.6	Jumper Wire		049-552A	Y
15.7	Pilot Control Knob		291-530	Y
15.8	Control Panel		291-119	
15.9	Piezo Ignitor		291-513	Y
15.10	ON/OFF Rocker Switch		060-521A	Y
15.11	Flame Control Knob		291-531	Y
15.12	Flexible Gas Connector		567-301A	Y
	Burner Orifice NG (#44C)		582-844	Y
	Burner Orifice LP (#54C)		582-854	Y
	Conversion Kit NG	No longer available	NGK-296	
	Conversion Kit LP	No longer available	LPK-296	
	Regulator NG		060-518	Y
	Regulator LP		060-519	Y
	Pilot Orifice NG		446-505	Y
	Pilot Orifice LP		446-517	Y