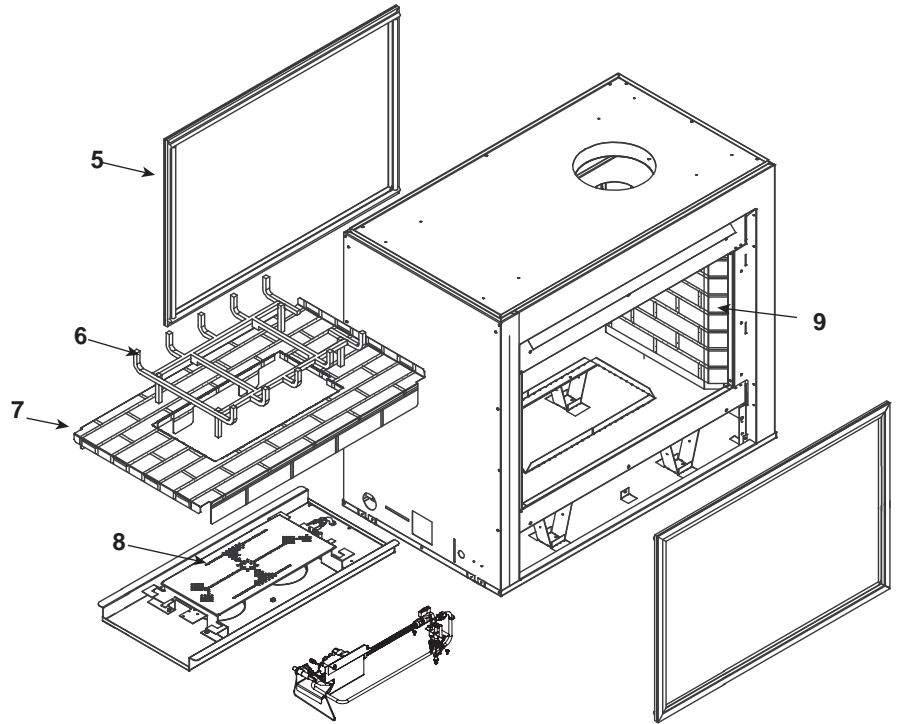
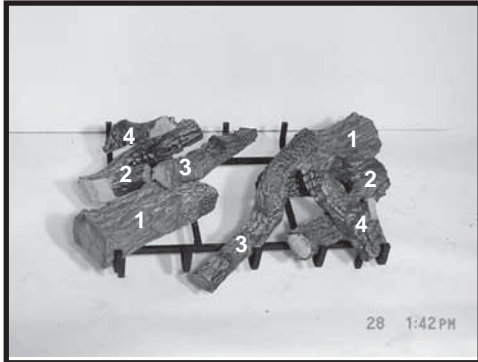


## Log Set Assembly



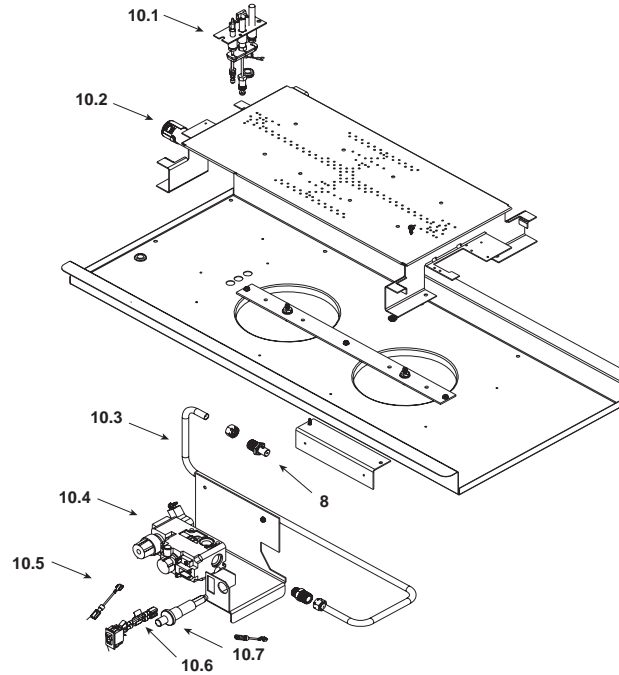
**IMPORTANT: THIS IS DATED INFORMATION.** Parts must be ordered from a dealer or distributor. **Hearth and Home Technologies does not sell directly to consumers.** Provide model number and serial number when requesting service parts from your dealer or distributor.



**Stocked  
at Depot**

ITEM	DESCRIPTION	COMMENTS	PART NUMBER	
	Log Set Assembly		LOGS-297	Y
1	Log 1	Qty 2 req	SRV501-700	
2	Log 2	Qty 2 req	SRV484-704	
3	Log 3	Qty 2 req	SRV484-703	
4	Log 4	Qty 2 req	SRV484-705	
5	Glass Door Assembly	Qty 2 req	GLA-PIER	Y
6	Grate Assembly		501-363	
7	Base Refractory		464-292	
8	Burner Assembly NG		501-173A	Y
	Burner Assembly LP		501-172A	Y
9	Refractory End	Qty 2 req	464-280	
	Junction Box		100-250A	Y
	Lava Rock		4021-297	
	Mineral Wool		050-721	
	Touch Up Paint		TUP-GBK-12	

## #10 Valve Assembly



IMPORTANT: THIS IS DATED INFORMATION. Parts must be ordered from a dealer or distributor. **Hearth and Home Technologies does not sell directly to consumers.** Provide model number and serial number when requesting service parts from your dealer or distributor.



**Stocked  
at Depot**

ITEM	DESCRIPTION	COMMENTS	PART NUMBER	
10.1	Pilot Assembly NG		485-510A	Y
	Pilot Assembly LP		485-511A	Y
	Pilot Tube		446-301	Y
10.2	Burner Assembly NG		501-173A	Y
	Burner Assembly LP		501-172A	Y
10.3	Burner Tube		501-302	Y
10.4	Valve NG		060-522	Y
	Valve LP		060-523	Y
10.5	Wire Assembly		049-552A	Y
10.6	On/Off Wire Assembly		060-521A	Y
10.7	Piezo Ignitor		291-513	Y
10.8	Orifice NG (#32DMS)		573-800	Y
	Orifice LP (#51.8mm)		501-801	Y
	Flex Ball Valve Assembly		302-320A	Y
	Conversion Kit NG	No Longer Available	NGK-297	Y
	Conversion Kit LP	No Longer Available	LPK-297	Y
	Pilot Orifice NG		446-505	Y
	Pilot Orifice LP		446-517	Y
	Regulator NG		060-518	Y
	Regulator LP		060-519	Y