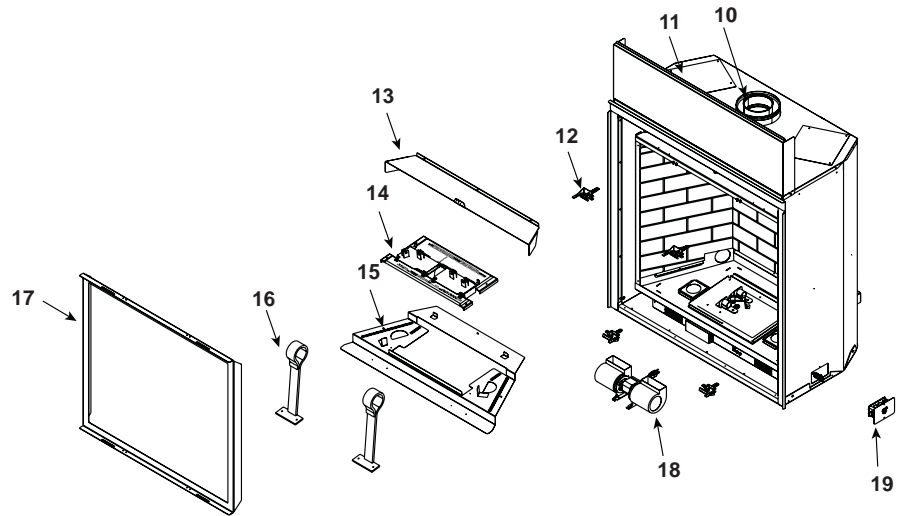
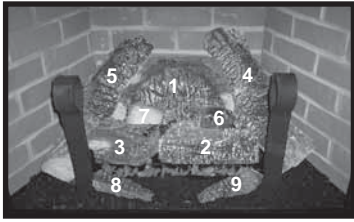


Log Set Assembly

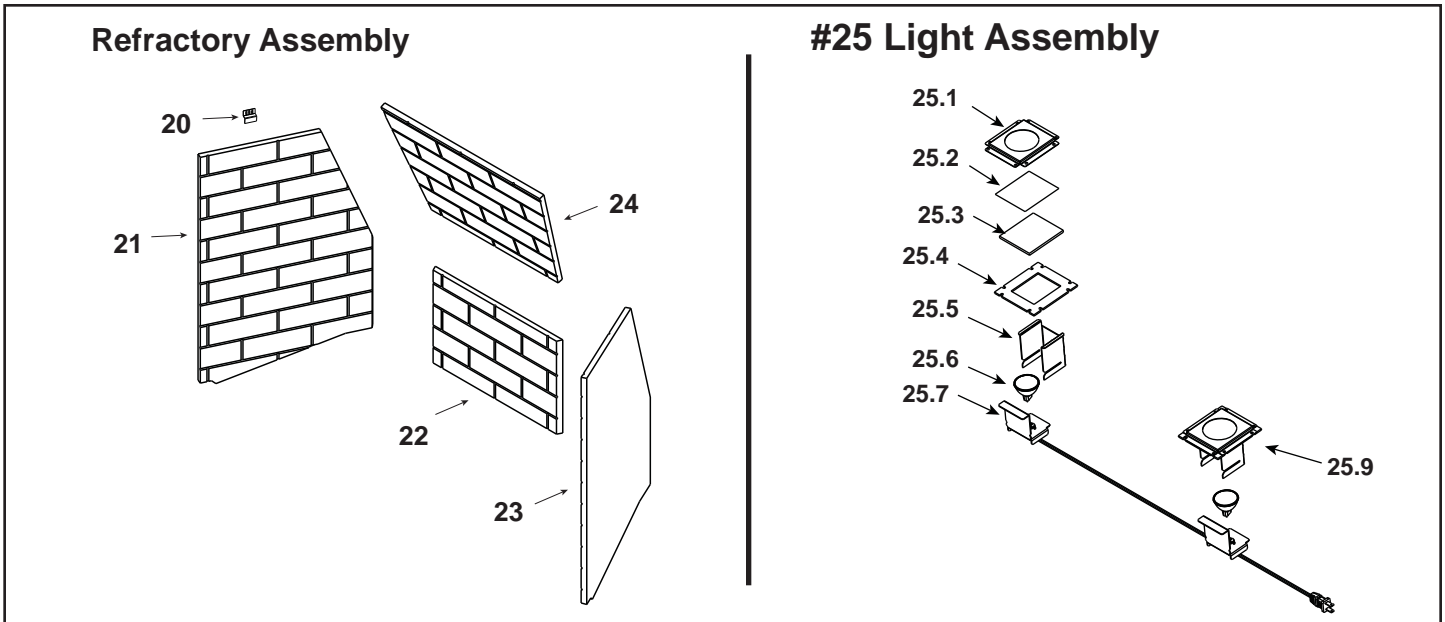


IMPORTANT: THIS IS DATED INFORMATION. Parts must be ordered from a dealer or distributor. **Hearth and Home Technologies does not sell directly to consumers.** Provide model number and serial number when requesting service parts from your dealer or distributor.



Stocked at Depot

ITEM	DESCRIPTION	COMMENTS	PART NUMBER	
1	Log 1 (Back Log)		SRV4061-170	
	Log 2 (Ember Bed)	Not shown	SRV4061-171	
2	Log 3 (Front Right Log)		SRV4061-172	
3	Log 4 (Front Left Log)		SRV4061-173	
4	Log 5 (Right Log)		SRV4061-174	
5	Log 6 (Left Log)		SRV4061-175	
6	Log 7 (Right Middle Log)		SRV4061-176	
7	Log 8 (Left Middle Log)		SRV4061-177	
8	Log 9 (Decorative Left Log)		SRV4061-178	
9	Log 10 (Decorative Right Log)		SRV4061-179	
10	Intake Collar Assembly		4002-002	
11	Heat Zone Cover Plate	Qty 2	4051-122	
12	Glass Clip Assembly	Pkg of 2	33858/2	Y
13	Damper Bracket		4061-136	
14	Burner Assembly		4061-015	Y
15	Hearth Pan		4061-123	
16	Andiron	Qty 2	4051-311	
17	Glass Frame Assembly		SRV4061-012	Y
18	Fan Assembly		GFK-160A	
19	Junction Box		4061-023	Y
	Decorative Front		DF-QFP38-IFV	
	Flue Gasket		4000-225	
	Lava Rock Bag Assembly		4040-094	
	Lava Rock (2 lbs.)		4021-296	
	Mineral Wool		14333B	
	Vermiculite		28746	



IMPORTANT: THIS IS DATED INFORMATION. Parts must be ordered from a dealer or distributor. **Hearth and Home Technologies does not sell directly to consumers.** Provide model number and serial number when requesting service parts from your dealer or distributor.

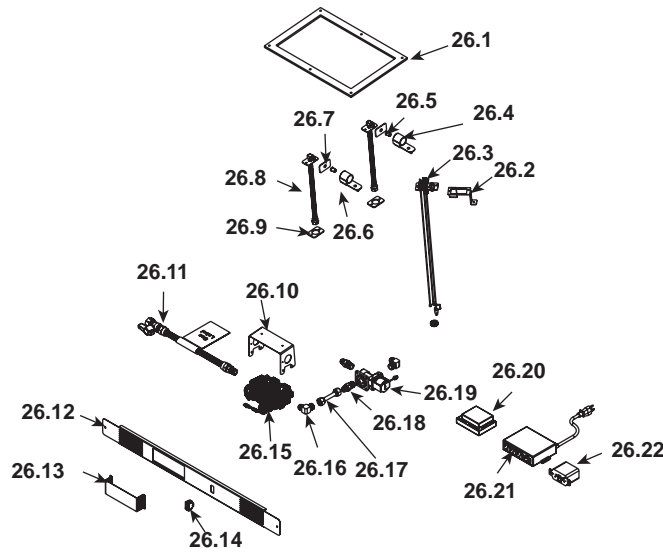


Stocked at Depot

ITEM	DESCRIPTION	COMMENTS	PART NUMBER	
20	Refractory Retainer		34584	
21	Refractory - Left Side		4061-150	
22	Refractory - Lower Back		4051-148	
23	Refractory - Right Side		4061-151	
24	Refractory - Upper Back		4061-153	
	Flue Gasket		4000-225	
	Wiring Harness		4021-615	Y
	Proflame GTMFS Transmitter		4021-614	Y
	Lava Rock Bag Assembly		4040-094	
	Lava Rock (2 lbs.)		4021-296	
	Mineral Wool		14333B	
	Vermiculite		28746	
	Installation Instructions & Owner's Manual		4061-300	
25	Accent Light Assembly		4061-034	
25.1	Glass Housing		4061-156	
25.2	Kapton 3-1/4" x 3-11/16"		2101-252	Y
25.3	Bulb Bracket Glass		2101-164	
25.4	Glass Housing Gasket		2141-165	
25.5	Glowing Bulb Enclosure		4061-326	
25.6	Bulb		2088-136	Y
25.7	Filter Assembly		4061-037	Y
25.8	Socket Assembly		4061-035	Y

Additional service part numbers appear on following page.

#26 Valve Assembly



IMPORTANT: THIS IS DATED INFORMATION. Parts must be ordered from a dealer or distributor. **Hearth and Home Technologies does not sell directly to consumers.** Provide model number and serial number when requesting service parts from your dealer or distributor.



**Stocked
at Depot**

ITEM	DESCRIPTION	COMMENTS	PART NUMBER	Stocked at Depot
26.1	Seal Plate Gasket		4002-039	
26.2	Pilot Bracket		4061-143	
26.3	Pilot Assembly - NG		4021-609	Y
	Pilot Assembly - LP		4021-610	Y
26.4	Air Shutter Assembly	Qty 2 req	4061-022	Y
26.5	Rear Orifice - (.128) -NG		4042-317	Y
	Rear Orifice - (.070) - LP		4021-625	Y
26.6	Front Orifice - (.073) - NG		4021-327	Y
	Front Orifice - (.046) -LP		4021-624	Y
26.7	Orifice Block	Qty 2 req	4061-145	
26.8	Bulkhead	Qty 2 req	4021-605	Y
26.9	Bulkhead Gasket	Qty 2 req	4021-429	
26.10	Valve Bracket		4061-128	
26.11	12" Flex Ball Valve Assembly		302-320A	Y
26.12	Dashboard		4061-130	
26.13	Valve Shield		4061-131	
26.14	Rocker Switch		060-511	Y
26.15	Proflame valve with Stepper Motor - NG		4021-606	Y
	Proflame valve with Stepper Motor - LP		4021-607	Y
26.16	3/8 OD Flare X 3/8" NPT Male Elbow	Qty 2 req	4021-045	
26.17	3/8" Swivel Nut Connector		4021-561	
26.18	Brass Fitting 3/8" NPT to 3/8" Flare	Pkg fo 5	303-315/5	Y
26.19	Split Flow Valve		4021-608	Y
26.20	IPI Ignition Board		4021-611	Y
26.21	Fan Control Module		4021-612	Y
26.22	Proflame S-Receiver		4021-613	Y