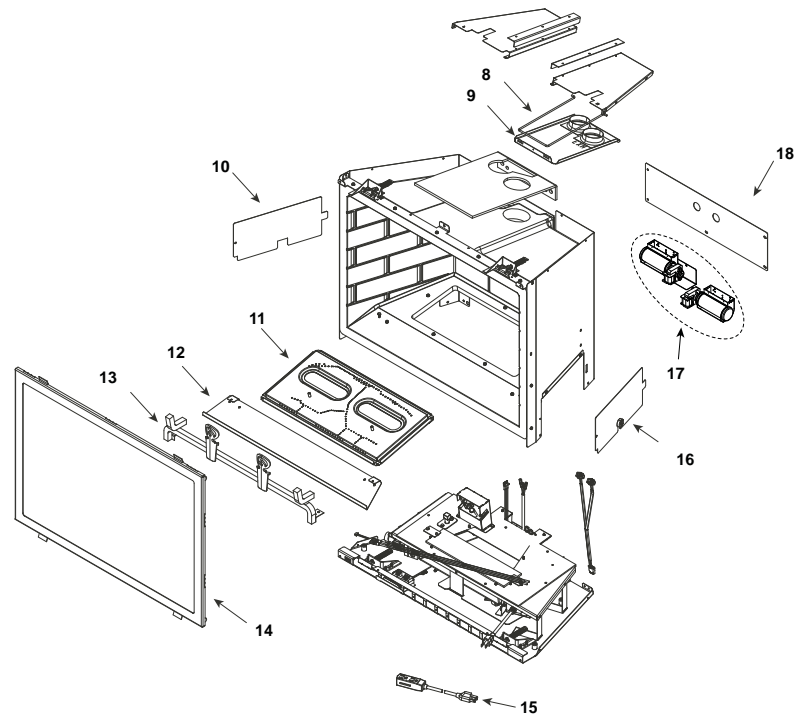
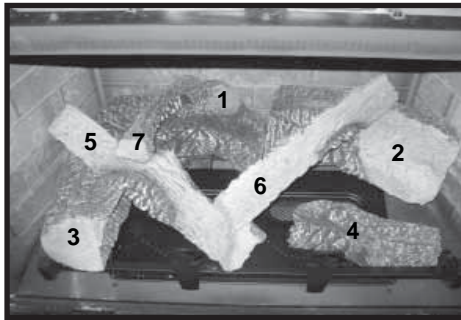


Log Set Assembly



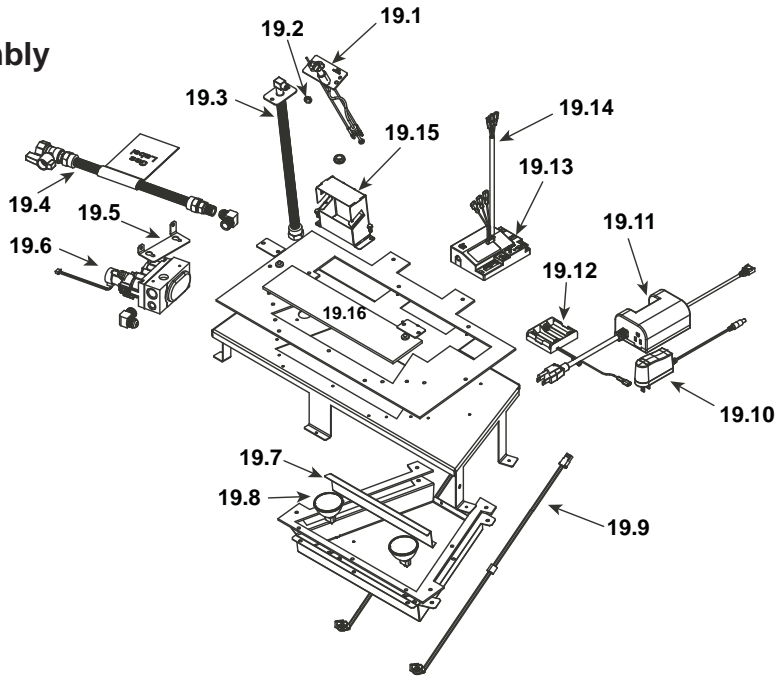
IMPORTANT: THIS IS DATED INFORMATION. Parts must be ordered from a dealer or distributor. **Hearth and Home Technologies does not sell directly to consumers.** Provide model number and serial number when requesting service parts from your dealer or distributor.



Stocked at Depot

ITEM	DESCRIPTION	COMMENTS	PART NUMBER	
	Log Assembly		LOGS-QFI35FB	Y
1	Log 1		SRV2223-703	
2	Log 2		SRV2223-701	
3	Log 3		SRV2223-702	
4	Log 4		SRV2223-706	
5	Log 5		SRV2223-704	
6	Log 6		SRV2223-705	
7	Log 7		SRV2221-707	
8	Slide Plate Handle		2019-201	
9	Slide Plate Assembly		2202-012	
	Gasket, Termination Plate		2201-401	
10	Cover Plate, Left		2202-113	
11	Burner		2223-007	Y
12	Media Tray		2202-112	
13	Log Grate		2223-016	
14	Glass Door Assembly		GLA-2202	Y
15	Power Cord Assembly		2201-024	Y
16	Cover Plate, Right		2202-114	
17	Blower Assembly		GFK-210-C	
18	Cover Plate, Back		2202-104	

#19 Valve Assembly



IMPORTANT: THIS IS DATED INFORMATION. Parts must be ordered from a dealer or distributor. **Hearth and Home Technologies does not sell directly to consumers.** Provide model number and serial number when requesting service parts from your dealer or distributor.



Stocked at Depot

ITEM	DESCRIPTION	COMMENTS	PART NUMBER	
19.1	*Pilot Assembly NG		Call Tech Service with Serial number	
	*Pilot Assembly LP			
19.2	Burner Orifice NG (#31C)		582-831	Y
	Burner Orifice LP (#49C)		582-849	Y
19.3	Flex Assembly		383-302A	Y
19.4	Flex Ball Valve Assembly		2201-108	Y
19.5	Valve Bracket		2202-108	
19.6	Valve NG		2166-302	Y
	Valve LP		2166-303	Y
19.7	Air Passage Divider		2202-144	
19.8	Ember Bulb	Qty 2 req	2201-150	Y
19.9	Light Wire Assembly		2201-011	Y
19.10	Transformer, 6 Volt Wall		2326-131	Y
19.11	Auxillary Box		2166-335	Y
19.12	Battery Pack**		2166-323	Y
19.13	Module		2166-307	Y
19.14	Wire Assembly		2201-304	Y
19.15	Pilot Bracket	Call Tech Service with Serial number		
19.16	Ember Glass		2201-115	Y

**Fuse for battery pack can be sourced locally, not a warranty item. Specs are 250v, 1A fuse, 3/4" long

*Call Tech Service with serial number for correct conversion and/or possible upgrade pilot kit

Additional service part numbers on following page.

