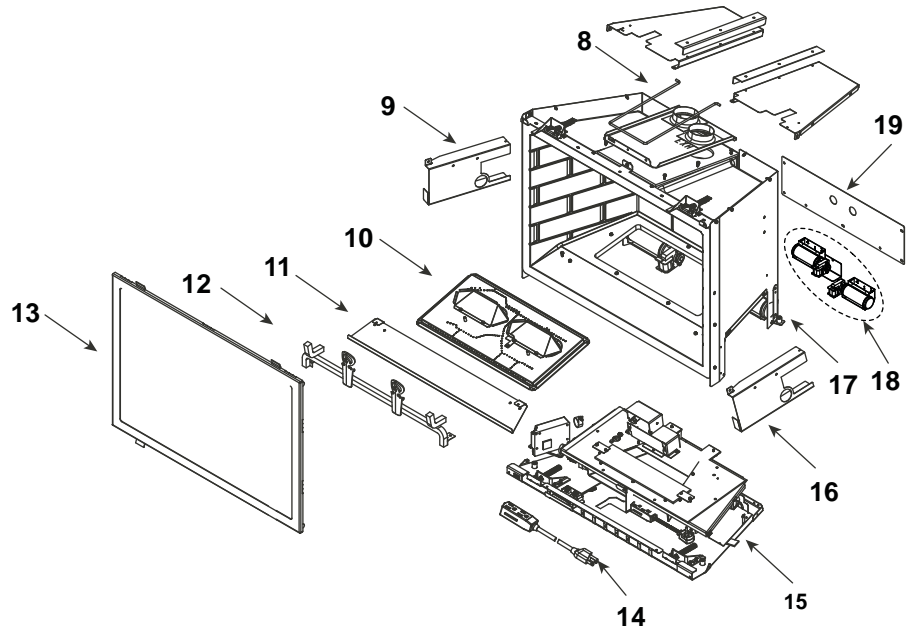
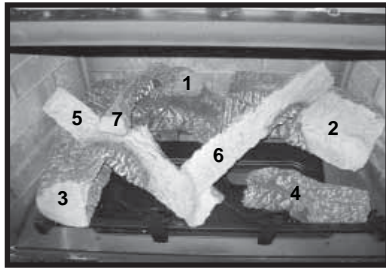


Log Set Assembly



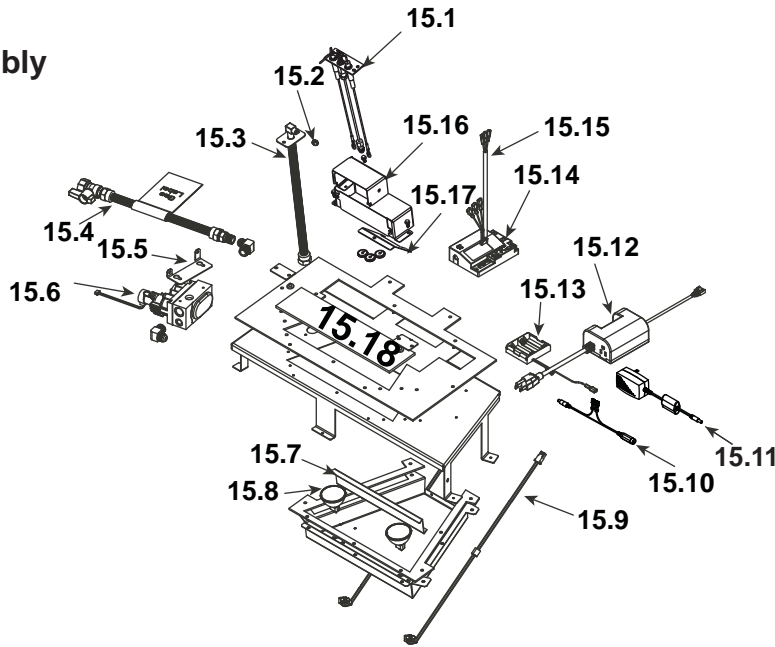
IMPORTANT: THIS IS DATED INFORMATION. Parts must be ordered from a dealer or distributor. **Hearth and Home Technologies does not sell directly to consumers.** Provide model number and serial number when requesting service parts from your dealer or distributor.



**Stocked
at Depot**

ITEM	DESCRIPTION	COMMENTS	PART NUMBER	
	Log Assembly		LOGS-QFI35FB	Y
1	Log 1		SRV2223-703	
2	Log 2		SRV2223-701	
3	Log 3		SRV2223-702	
4	Log 4		SRV2223-706	
5	Log 5		SRV2223-704	
6	Log 6		SRV2223-705	
7	Log 7		SRV2221-707	
8	Slide Plate Assembly		2202-012	
	Gasket, Termination Plate		2201-401	
	Slide Plate Handle		2019-201	
9	Module Bracket		2201-137	
10	Burner		2223-009	Y
11	Media Tray		2202-112	
12	Grate Assembly		2223-016	
13	Glass Door Assembly		GLA-2202	Y
14	Power Cord Assembly		2201-024	
15	Valve Assembly		Refer to valve page	
16	Aux Bracket		2201-157	
17	RIV-NUT Bracket Assembly	Qty 2 req	2201-027	
18	Blower Assembly		GFK-210-C	
19	Cover Plate, Back		2202-104	

#15 Valve Assembly



IMPORTANT: THIS IS DATED INFORMATION. Parts must be ordered from a dealer or distributor. **Hearth and Home Technologies does not sell directly to consumers.** Provide model number and serial number when requesting service parts from your dealer or distributor.



Stocked at Depot

ITEM	DESCRIPTION	COMMENTS	PART NUMBER	
15.1	Pilot Assembly NG		2202-013	Y
	Pilot Assembly LP		2202-014	Y
15.2	Burner Orifice NG (#31C)		582-831	Y
	Burner Orifice LP (#49C)		582-849	Y
15.3	Flex Assembly		383-302A	Y
15.4	Flex Ball Valve Assembly		2201-108	Y
15.5	Valve Bracket		2202-108	
15.6	Valve NG		2166-302	Y
	Valve LP		2166-303	Y
15.7	Air Passage Divider		2202-144	
15.8	Ember Bulb	Qty 2 req	2201-150	Y
15.9	Light Wire Assembly		2201-011	Y
15.10	Jumper Wire, Wall Switch		2179-300	Y
15.11	Transformer, 6 Volt Wall		2326-131	Y
15.12	Auxilliary Box		2166-335	Y
15.13	**Battery Pack		2166-323	Y
15.14	Module		2166-307	Y
15.15	Wire Assembly		2201-304	Y
15.16	Pilot Bracket		2201-025	
15.17	Air Scoop		2201-156	
15.18	Ember Glass		2201-115	Y

**Fuse for battery pack can be sourced locally, not a warranty item. Specs are 250v, 1A fuse, 3/4" long

Additional service part numbers on following page.

IMPORTANT: THIS IS DATED INFORMATION. Parts must be ordered from a dealer or distributor. **Hearth and Home Technologies does not sell directly to consumers.** Provide model number and serial number when requesting service parts from your dealer or distributor.



**Stocked
at Depot**

ITEM	DESCRIPTION	COMMENTS	PART NUMBER	
	Ember Rocks		2201-853	
	Fan Wire Assembly		2206-068	Y
	Fuse Wire Assembly		2206-085	Y
	Glass Clip Support Assembly	Pkg of 2	33858/2	Y
	Glass Latch Support Assembly	Qty 2 req	2146-413	Y
	Lava Rock		4021-296	
	Mineral Wool		050-721	
	Patch Kit, Firebrick		PATCHKIT-FB	
	Remote		RC300-QDF	
	Stainless Steel Liner		768-380A	
	Touch up Paint		TUP-GBK-12	
	Wire Assembly, Module Reset		2201-030	Y
	Touch Up Paint, Fiber		STRATFORD-KIT	
	EMC Filter		2201-198	
	Conversion Kit NG		NGK-I35FB-C	Y
	Conversion Kit LP		LPK-I35FB-C	Y
	Pilot Orifice NG		593-528	Y
	Pilot Orifice LP		593-527	Y
	Regulator NG		NGK-DXV-50	Y
	Regulator LP		LPK-DXV-50	Y