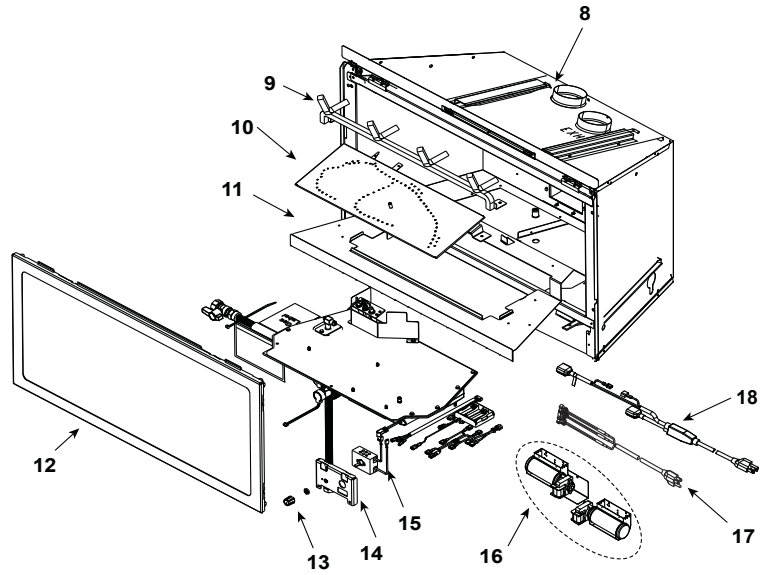
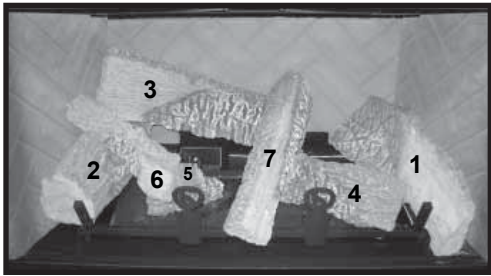


### Log Set Assembly



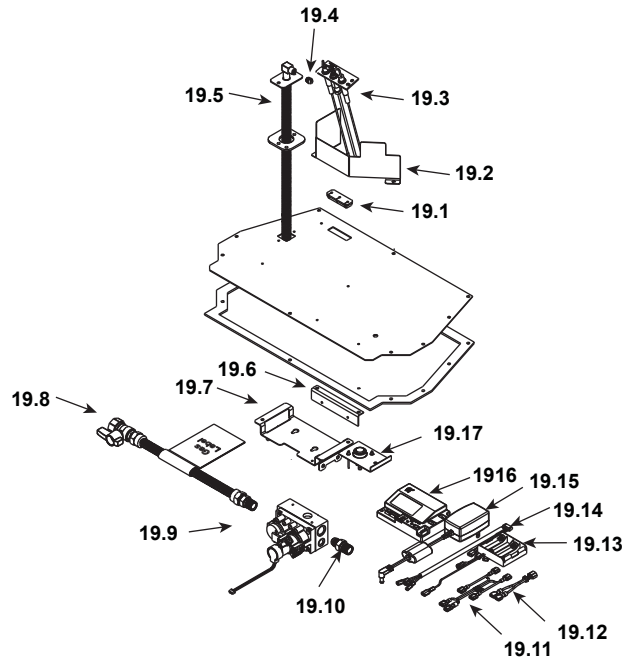
**IMPORTANT: THIS IS DATED INFORMATION.** Parts must be ordered from a dealer or distributor. **Hearth and Home Technologies does not sell directly to consumers.** Provide model number and serial number when requesting service parts from your dealer or distributor.



**Stocked  
at Depot**

ITEM	DESCRIPTION	COMMENTS	PART NUMBER	Stocked at Depot
	Log Assembly		LOGS-QFI35	Y
1	Log 1		SRV2225-701	
2	Log 2		SRV2225-703	
3	Log 3		SRV2225-702	
4	Log 4		SRV2225-705	
5	Log 5		SRV2225-710	
6	Log 6		SRV2225-706	
7	Log 7		SRV2225-704	
8	Termination Plate Assembly	Pre 0023696931	2205-012	
		Post 0023696931	2205-013	
	Flex Pipe Handle		438-351	
	Gasket	Pre 0023696931	2206-401	
		Post 0023696931	2206-178	
9	Grate Assembly		2225-016	
10	Burner Assembly		2225-009	Y
11	Base Pan		2205-127	
12	Glass Door Assembly		GLA-2205	Y
13	Rheostat Knob		100-512	Y
14	Control Panel		2205-129	
15	On/Off Rheostat		2206-800	Y
16	Blower Assembly		GFK-210-C	
17	Power Cord Assembly		2206-068	Y
18	Cord Assembly		2201-017	Y
	Fuse Wire Assembly	Qty 2 req	2206-085	Y

## #19 Valve Assembly



IMPORTANT: THIS IS DATED INFORMATION. Parts must be ordered from a dealer or distributor. **Hearth and Home Technologies does not sell directly to consumers.** Provide model number and serial number when requesting service parts from your dealer or distributor.



**Stocked  
at Depot**

ITEM	DESCRIPTION	COMMENTS	PART NUMBER	
19.1	Grommet, 3 Hole		2118-420	
19.2	Pilot Shield		2206-120	
19.3	Pilot Assembly NG		2202-013	Y
	Pilot Assembly LP		2202-014	Y
19.4	Orifice NG (#33C)		582-833	Y
	Orifice LP (#50C)		582-850	Y
19.5	Flexible Gas Connector		530-302A	Y
19.6	Control Panel Bracket		2205-128	
19.7	Valve Bracket		2205-146	
19.8	Flex Ball Valve Assembly		302-320A	Y
19.9	Valve NG		2166-302	Y
	Valve LP		2166-303	Y
19.10	Brass Connector	Pkg of 5	303-315/5	Y
19.11	Remote Jumper Wire		2103-013	Y
19.12	Jumper Wire		2187-198	Y
19.13	**Battery Pack		2166-323	Y
19.14	Wire Harness		2166-304	Y
19.15	Power Supply		2326-131	Y
19.16	Module		2166-307	Y
19.17	Temp Sensor Assembly		046-018A	Y

\*\*Fuse for battery pack can be sourced locally, not a warranty item. Specs are 250v, 1A fuse, 3/4" long

Additional service part numbers appear on following page.

IMPORTANT: THIS IS DATED INFORMATION. Parts must be ordered from a dealer or distributor. **Hearth and Home Technologies does not sell directly to consumers.** Provide model number and serial number when requesting service parts from your dealer or distributor.



**Stocked  
at Depot**

ITEM	DESCRIPTION	COMMENTS	PART NUMBER	
	Gasket Assembly		2206-081	
	Includes Air Passage, Valve Plate, Exhaust Bottom, Exhaust Top, and Burner Neck Gaskets			
	Glass Clip Support Assembly, Bottom	Pkg of 2	33858/2	Y
	Glass Latch Assembly, Top	Qty 2 req	339-121A	Y
	Lava Rock		4021-296	
	Mineral Wool		050-721	
	Refractory Assembly (sold as set only)		BRICK-QI35	
	Rheostat/Temp Sensor Assembly		SRV2206-800	
	EMC Filter		2201-198	
	Conversion Kit NG		NGK-I35-C	Y
	Conversion Kit LP		LPK-I35-C	Y
	Pilot Orifice NG		593-528	Y
	Pilot Orifice LP		593-527	Y
	Regulator NG		NGK-DXV-50	Y
	Regulator LP		LPK-DXV-50	Y