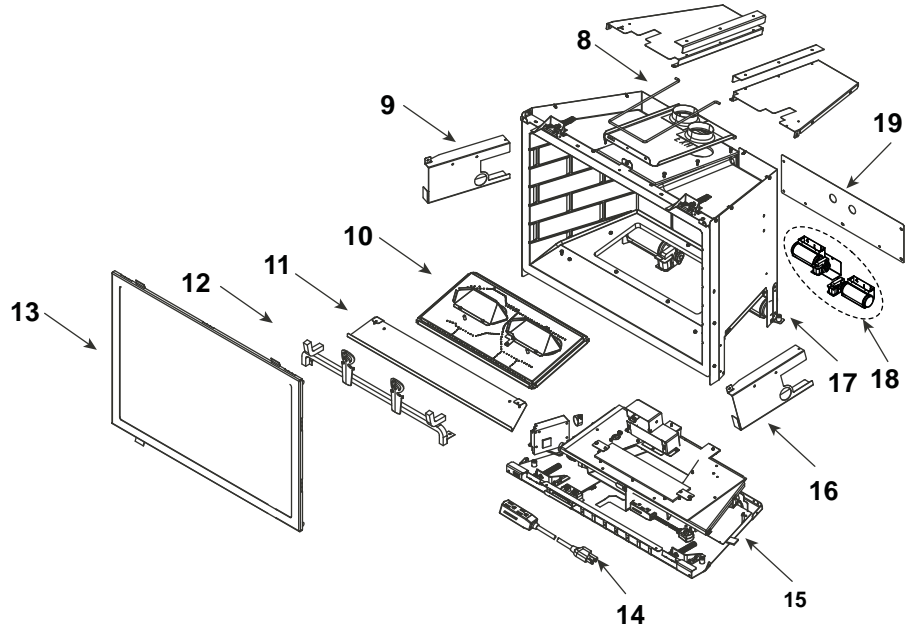
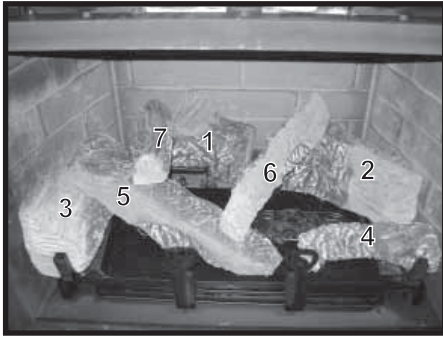


Log Set Assembly



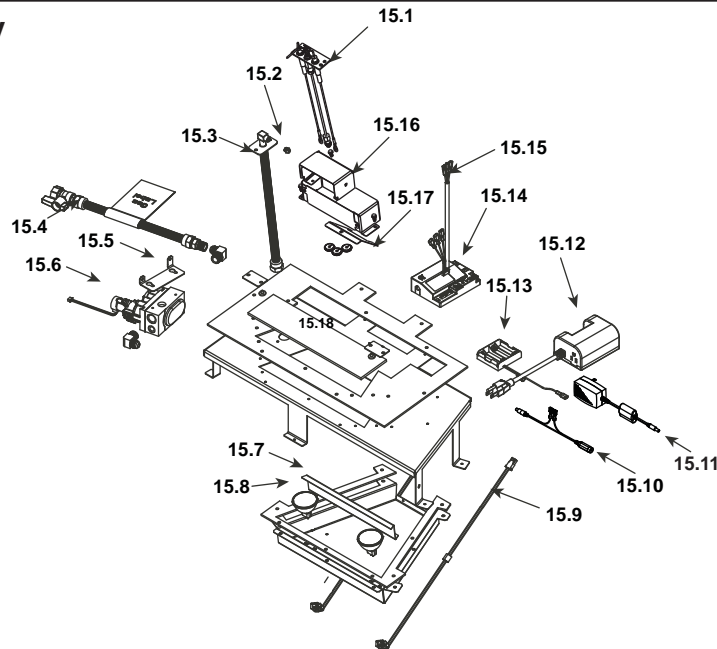
IMPORTANT: THIS IS DATED INFORMATION. Parts must be ordered from a dealer or distributor. **Hearth and Home Technologies does not sell directly to consumers.** Provide model number and serial number when requesting service parts from your dealer or distributor.



Stocked at Depot

ITEM	DESCRIPTION	COMMENTS	PART NUMBER	
	Log Assembly		LOGS-QFI30FB	Y
1	Log 1		SRV2221-701	
2	Log 2		SRV2221-702	
3	Log 3		SRV2221-703	
4	Log 4		SRV2221-704	
5	Log 5		SRV2221-705	
6	Log 6		SRV2221-706	
7	Log 7		SRV2221-707	
8	Termination Plate Assembly		2201-012	
	Gasket, Termination Plate		2201-401	
	Slide Plate Handle		2019-201	
9	Module Bracket		2201-137	
10	Burner Assembly		2221-009	Y
11	Media Tray		2201-112	
12	Grate Assembly		2221-016	
13	Glass Door Assembly		GLA-2201	Y
14	Power Cord Assembly		2201-024	Y
15	Valve Assembly		Refer to valve page	
16	Aux Bracket		2201-157	
17	RIV-NUT Bracket Assembly	Qty 2 req	2201-027	
18	Blower Assembly		GFK-210-C	
19	Cover Plate, Back		2202-104	

#15 Valve Assembly



IMPORTANT: THIS IS DATED INFORMATION. Parts must be ordered from a dealer or distributor. **Hearth and Home Technologies does not sell directly to consumers.** Provide model number and serial number when requesting service parts from your dealer or distributor.



Stocked at Depot

ITEM	DESCRIPTION	COMMENTS	PART NUMBER	
15.1	Pilot Assembly NG		2202-013	Y
	Pilot Assembly LP		2202-014	Y
15.2	Burner Orifice NG (#33C)		582-833	Y
	Burner Orifice LP (#50C)		582-850	Y
15.3	Flex Assembly		383-302A	Y
15.4	Flex Ball Valve Assembly		2201-108	Y
15.5	Valve Bracket		2202-108	
15.6	Valve NG		2166-302	Y
	Valve LP		2166-303	Y
15.7	Air Passage Divider		2201-144	
15.8	Ember Bulb	Qty 2 req	2201-150	Y
15.9	Light Wire Assembly		2201-011	Y
15.10	Jumper Wire, Wall Switch		2179-300	Y
15.11	Transformer, 6 Volt Wall		2326-131	Y
15.12	Auxilliary Box		2166-335	Y
15.13	**Battery Pack		2166-323	Y
15.14	Module		2166-307	Y
15.15	Wire Assembly		2201-304	Y
15.16	Pilot Bracket		2201-025	
15.17	Air Scoop		2201-156	
15.18	Ember Glass		2201-115	Y

**Fuse for battery pack can be sourced locally, not a warranty item. Specs are 250v, 1A fuse, 3/4" long

Additional service part numbers on following page.

