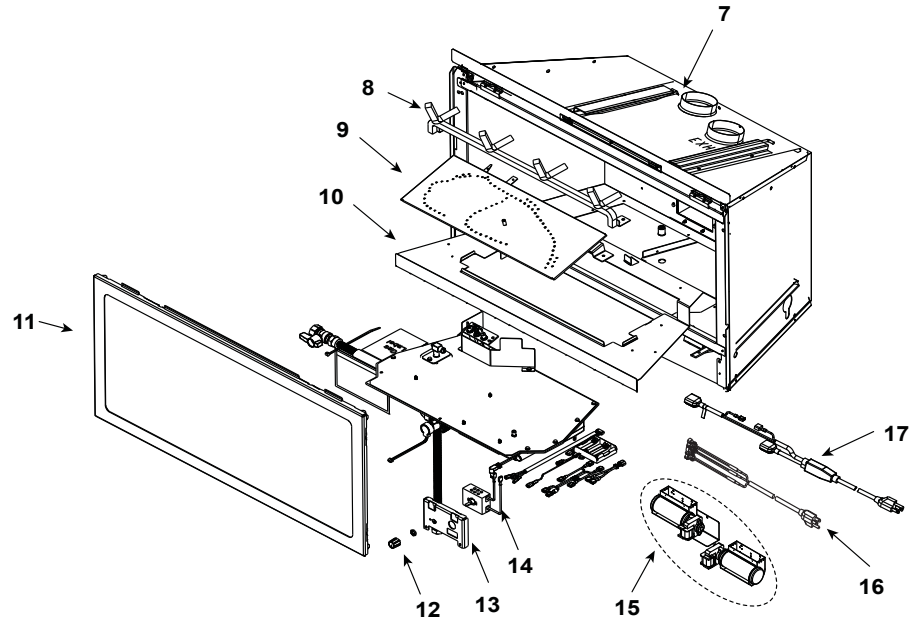
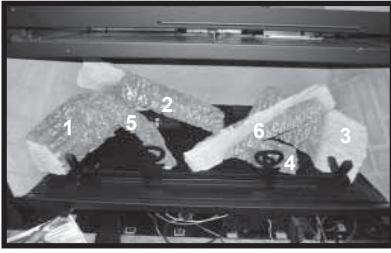


### Log Set Assembly



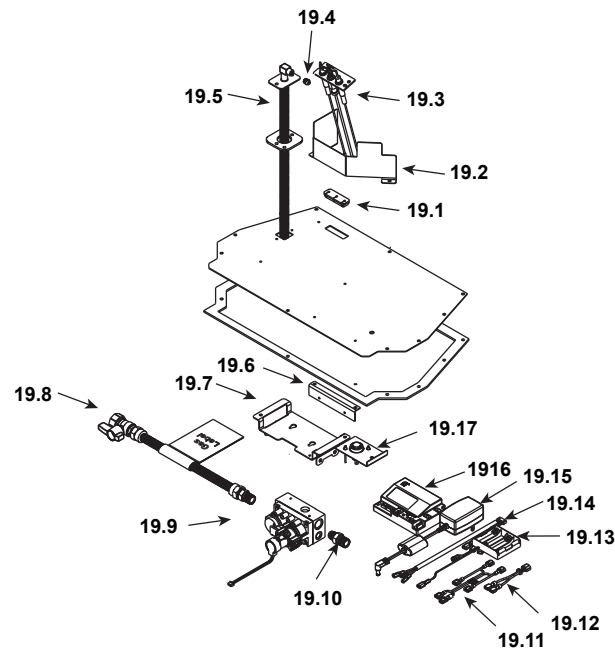
IMPORTANT: THIS IS DATED INFORMATION. Parts must be ordered from a dealer or distributor. **Hearth and Home Technologies does not sell directly to consumers.** Provide model number and serial number when requesting service parts from your dealer or distributor.



**Stocked  
at Depot**

| ITEM | DESCRIPTION                | COMMENTS        | PART NUMBER |   |
|------|----------------------------|-----------------|-------------|---|
|      | Log Assembly               |                 | LOGS-QFI30  | Y |
| 1    | Log 1                      |                 | SRV2227-703 |   |
| 2    | Log 2                      |                 | SRV2227-702 |   |
| 3    | Log 3                      |                 | SRV2227-701 |   |
| 4    | Log 4                      |                 | SRV2227-705 |   |
| 5    | Log 5                      |                 | SRV2227-706 |   |
| 6    | Log 6                      |                 | SRV2227-704 |   |
| 7    | Termination Plate Assembly | Pre 0023696931  | 2206-012    |   |
|      |                            | Post 0023696931 | 2206-013    |   |
|      | Flex Pipe Handle           |                 | 438-351     |   |
|      | Gasket                     | Pre 0023696931  | 2206-401    |   |
|      |                            | Post 0023696931 | 2206-178    |   |
| 8    | Grate Assembly             |                 | 2227-016    |   |
| 9    | Burner Assembly            |                 | 2227-009    | Y |
| 10   | Base Pan                   |                 | 2206-127    |   |
| 11   | Glass Door Assembly        |                 | GLA-2206    | Y |
| 12   | Rheostat Knob              |                 | 100-512     | Y |
| 13   | Control Panel              |                 | 2205-129    |   |
| 14   | Rheostat                   |                 | 2206-800    | Y |
| 15   | Blower                     |                 | GFK-210-C   |   |
| 16   | Wire Assembly              |                 | 2206-068    | Y |
| 17   | Cord Assembly              |                 | 2201-017    | Y |
|      | Fuse Wire Assembly         | Qty 2 req       | 2206-085    | Y |

### #19 Valve Assembly



IMPORTANT: THIS IS DATED INFORMATION. Parts must be ordered from a dealer or distributor. **Hearth and Home Technologies does not sell directly to consumers.** Provide model number and serial number when requesting service parts from your dealer or distributor.



**Stocked  
at Depot**

| ITEM  | DESCRIPTION              | COMMENTS | PART NUMBER |   |
|-------|--------------------------|----------|-------------|---|
| 19.1  | Grommet, 3 Hole          |          | 2118-420    |   |
| 19.2  | Pilot Shield             |          | 2206-120    |   |
| 19.3  | Pilot Assembly NG        |          | 2202-013    | Y |
|       | Pilot Assembly LP        |          | 2202-014    | Y |
| 19.4  | Orifice NG (#35C)        |          | 582-835     | Y |
|       | Orifice LP (#51C)        |          | 582-851     | Y |
| 19.5  | Flexible Gas Connector   |          | 530-302A    | Y |
| 19.6  | Control Panel Bracket    |          | 2205-128    |   |
| 19.7  | Valve Bracket            |          | 2205-146    |   |
| 19.8  | Flex Ball Valve Assembly |          | 302-320A    | Y |
| 19.9  | Valve NG                 |          | 2166-302    | Y |
|       | Valve LP                 |          | 2166-303    | Y |
| 19.10 | Brass Connector          | Pkg of 5 | 303-315/5   | Y |
| 19.11 | Remote Jumper Wire       |          | 2103-013    | Y |
| 19.12 | Jumper Wire              |          | 2187-198    | Y |
| 19.13 | **Battery Pack           |          | 2166-323    | Y |
| 19.14 | Wire Harness             |          | 2166-304    | Y |
| 19.15 | Power Supply             |          | 2326-131    | Y |
| 19.16 | Module                   |          | 2166-307    | Y |
| 19.17 | Temp Sensor Assembly     |          | 046-018A    | Y |

\*\*Fuse for battery pack can be sourced locally, not a warranty item. Specs are 250v, 1A fuse, 3/4" long

Additional service part numbers appear on following page.

