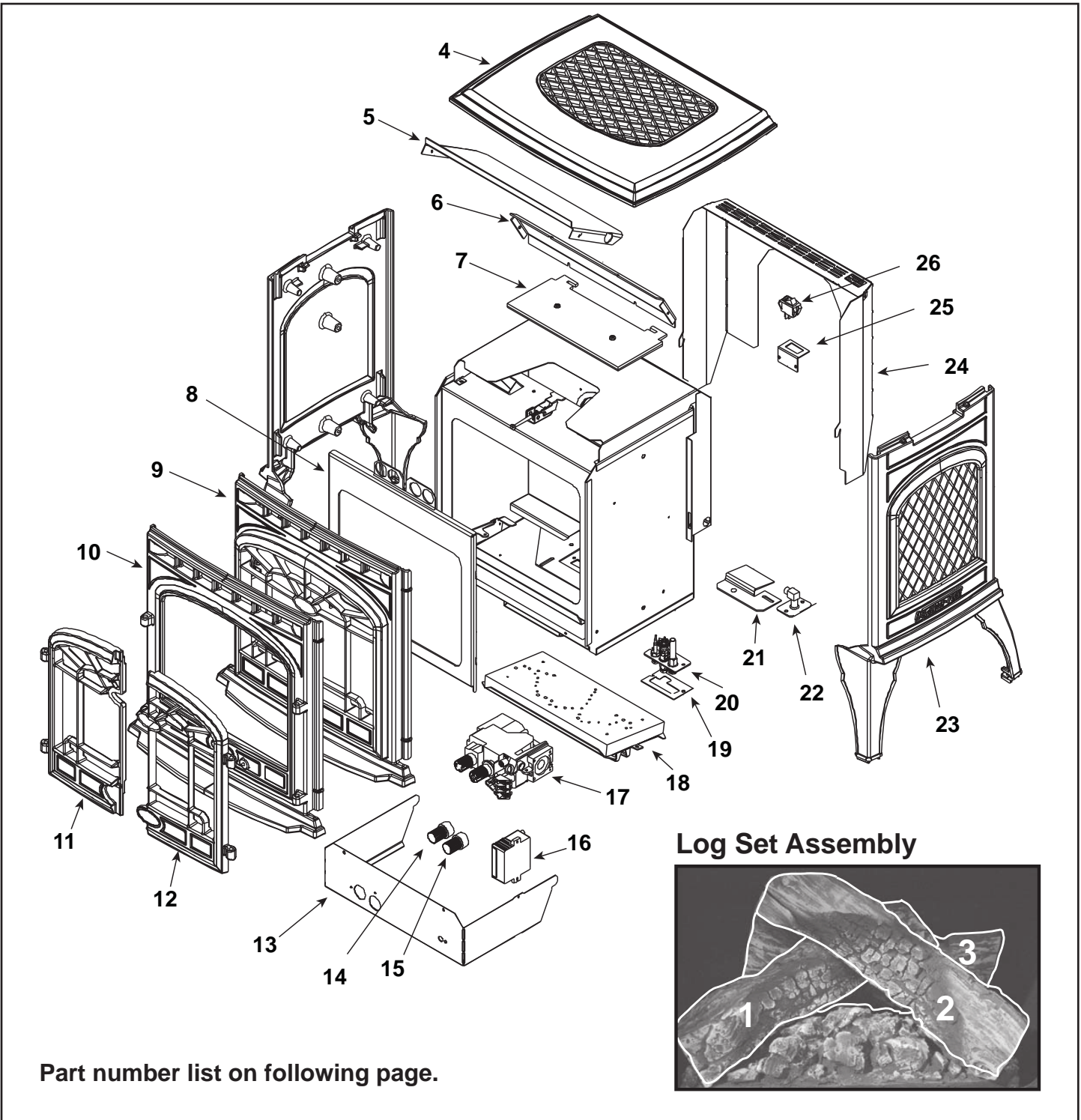


Color	SKU No.	Mfg. Dates
Matte Black	839-1110	7/01 - 6/04
Porcelain Creme	839-1120	7/01 - 5/04
	GARNET-D-PCR	6/04 - 8/05
Porcelain Green	839-1130	7/01 - 5/04
Porcelain Mahogany	839-1140	4/02 - 5/04
Porcelain Midnite Blue	839-1150	4/02 - 4/04
	839-1151	4/03 - 5/04
Powder Coat Linden Green	GARNET-D-CLG	6/04 - 4/06

Color	SKU No.	Mfg. Dates
Powder Coat Merlot	GARNET-D-CME	6/04 - 3/06
Powder Coat Creme	GARNET-D-CCR	9/05 - 4/06
Powder Coat Sienna Bronze	GARNET-D-CSB	3/07 - Active
Powder Coat Willow	GARNET-D-CWL	3/07 - 3/11
Matte Black	GARNET-MBK	6/04 - Active
	GARNET-D-MBK	6/04 - Active
Porcelain Mahogany	GARNET-D-PMH	6/04 - Active



Beginning Manufacturing Date: June 2004  
Ending Manufacturing Date: Active

IMPORTANT: THIS IS DATED INFORMATION. When requesting service or replacement parts for your appliance please provide model number and serial number. All parts listed in this manual may be ordered from an authorized dealer.



**Stocked  
at Depot**

ITEM	DESCRIPTION	COMMENTS	PART NUMBER	
	<b>Log Assembly</b>		LOGS-GARNET	<b>Y</b>
1	Log Left		7016-171	
2	Log Right		7016-170	
3	Log Rear		7016-172	
4	Top	Black	464-0140MBK	
		Specify Color	464-0140POR	
		Specify Color	464-0140PWD	
5	Baffle Back		7016-126	
6	Baffle		7016-125	
7	Relief Door Assembly		7016-005	
8	Door Assembly		7016-004	
	Door Frame		7016-117	
	Glass Assembly -12.73 W x 10.35 H, W/Gasket		7016-023	<b>Y</b>
	Glass Gasket - Field Cut to Size	Qty: 10 Ft	844-3010	<b>Y</b>
	Tape, Door Corner - Field Cut to Size	Qty: 1 Ft	SRV7027-227	<b>Y</b>
9	Front Plate - Solitaire Front Only	Black	464-0160	
10	Front - Quartet Front	Black	7016-106MBK	
		Specify Color	7016-106POR	
		Specify Color	7016-106PWD	
11	Door Left	Black	7016-108MBK	
		Specify Color	7016-108POR	
		Specify Color	7016-108PWD	
12	Door Right	Black	7016-107MBK	
		Specify Color	7016-107POR	
		Specify Color	7016-107PWD	
13	Valve Cover		7016-133	
14	Knob, Extension, On-Off, Sit, 1.5"		571-534	<b>Y</b>
15	Knob, Extension, Hi-Lo, Sit, 1.5"		571-533	<b>Y</b>
16	Module, Ignition		230-1880	<b>Y</b>
	Cable/Switch Assembly, Sit		230-1900	<b>Y</b>
17	Valve Replacement, Sit - NG		842-0240	<b>Y</b>
	Valve Replacement, Sit - LP		842-0230	<b>Y</b>
18	Burner w/Neck Assembly		SRV7016-033	<b>Y</b>
19	Gasket, Pilot	Post 0071237555	7000-196	<b>Y</b>
20	Pilot Assembly - NG		230-1781	<b>Y</b>
	Thermocouple		200-2950	<b>Y</b>
	Thermopile/Generator, Millivolt		842-0250	<b>Y</b>
21	Shutter Assembly		SRV7016-034	<b>Y</b>

Additional service part numbers appear on following page.

IMPORTANT: THIS IS DATED INFORMATION. When requesting service or replacement parts for your appliance please provide model number and serial number. All parts listed in this manual may be ordered from an authorized dealer.



**Stocked  
at Depot**

ITEM	DESCRIPTION	COMMENTS	PART NUMBER	
22	Bulkhead w/Flex Tube 8.5		7000-156	Y
23	Side	Black	7016-109MBK	
		Specify Color	7016-109POR	
		Specify Color	7016-109PWD	
24	Back Shield		7016-140	
25	Switch Bracket		7016-143	
26	Switch, Rocker		230-0730	Y
	Blower Shroud Back		7016-132	
	Blower Shroud Top		7016-118	
	Burner Stop	Post 1236311	7010-152	
	Burner Support	Pre 0071237555	7016-120	
	Collar, Inner Flue		7016-122	
	Component Pack (Includes On/Off Valve, Mineral Wool, Pilot Injector, Ez, Lp 35; Conversion Regulator & Label; Orifice Plug Insert #56; Leveling Assembly; Snap Disc Bracket; Warranty Card, Manual, Restrictor; Touch-Up Paint & Fasteners)	Black	7016-007	
		Mahogany	7016-027	
		Sienna Bronze	7016-030	
		Willow	7016-031	
	Leveling Assembly		7000-000	
	Mineral Wool, Bag		200-2550	
	On/Off Valve		15697	Y
	Restrictor		7016-145	
	Snap Disc Bracket		7009-108	
	Damper Assembly		7016-006	
	Door Retainer		7016-134	
	Dv Adapter	6-5/8 in.	7000-162	
	Elbow, 3/8 Flare X 3/8 Npt		4021-045	
	Electrode, Sit, Ez, Flush		842-4580	Y
	Flex Line 3/8 Flare X 22L		7000-197	Y
	Flue Shield		7016-130	
	Gasket, Elbow		460-0610	
	Hinge Pin		844-5750	Y
	Latch, Draw		229-0640	Y
	Magnet Round		SRV7000-140	Y
	Pilot Shield	Pre 0071237555	7016-164	
	Pilot Spacer	Post 0071237556	7016-165	
	Pilot Spacer		7010-175	
	Plug, Orifice Insert #49		842-1220	Y
	Relief Door Bracket		7016-121	

Additional service part numbers appear on following page.

IMPORTANT: THIS IS DATED INFORMATION. When requesting service or replacement parts for your appliance please provide model number and serial number. All parts listed in this manual may be ordered from an authorized dealer.



**Stocked  
at Depot**

ITEM	DESCRIPTION	COMMENTS	PART NUMBER	
	Valve Bracket		7016-142	
	Wire Harness		7010-156	
<b>CONVERSION KITS</b>				
	Conversion Kit, NG		NGK-TPB	Y
	Injector, Pilot, Ez, NG, 62		842-4440	Y
	Orifice, .#49		842-1200	Y
	Regulator, Conversion, Sit, NG		230-1570	Y
	Conversion Kit LP		LPK-TPB	Y
	Injector, Pilot, Ez, LP, 35		200-2630	Y
	Orifice, .#56		842-1100	Y
	Regulator, Conversion, Sit, LP		230-1520	Y
<b>ACCESSORIES</b>				
	Blower Universal Gas		BK-GAS	
	Blower Cord Only		832-2410	Y
	Blower Housing		7016-138	
	Blower, Convection		812-4900	Y
	Bracket, Thermostat		455-7230	
	Component Pack Assembly		7016-016	
	Knob, Rheostat (Black)		100-512	Y
	Snap Disc, Ceramic		SRV230-0960	Y
	Speed Control Only (Rheostat)		842-0370	Y
	Wire Harness		455-7240	Y
	Mesh Screen	Quartet Front Only	SCR-GAR-D	
	Screen Handle		480-1320	
	Smart-Batt II		841-0970	
	Smart-Stat II		841-0960	
	Thermostat, Mechanical		812-3760	Y
	Thermostat, Programmable		811-0520	
<b>FASTENERS</b>				
	Avk Rivnut Repair Kit - 1/4-20 & 3/8-16 Rivnut Tools		RIVNUT-REPAIR	Y
	Nut, Keps Lock, 10-32	Pkg of 40	226-0050/40	Y
	Nut, wing, WF, 1/4 - 20	Pkg of 12	226-0110/12	Y
	Screw, 1/4-20 X 3/8 Phillips Button Head	Pkg of 24	7000-401/24	Y
	Screw, 5/16-18 X 1 1/2	Pkg of 24	7000-101/24	Y
	Screw, Flat Head Philips 8-32 X 1/2	Pkg of 10	832-0860	Y
	Screw, Pan Head Philips 8-32 X 3/4	Pkg of 24	229-1100/24	Y
	Screw, Pan Head Philips 8-32 X 3/8	Pkg of 40	225-0500/40	Y
	Screw, Pan Head Philips, 10/32 X 1/4	Pkg of 24	229-1230/24	Y
	Screw, Sheet Metal #8 X 1/2 S-Grip	Pkg of 40	12460/40	Y