

LENNOX HEARTH PRODUCTS

Service Replacement Parts List

NF2000

MODEL YEARS: 1998 - 2000

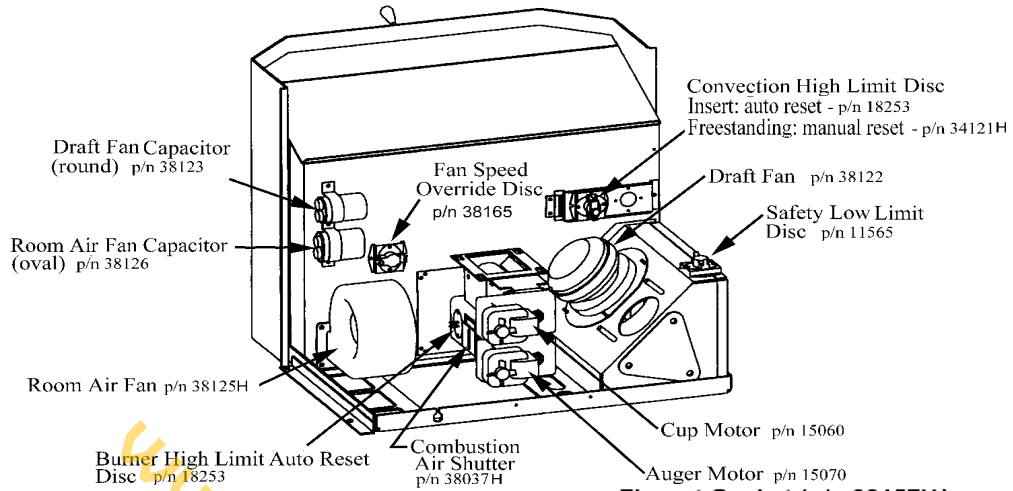
ITEM NO	DESCRIPTION
Door Parts	
38040H	Door Assembly, Complete
39010	Door Opener, Allen Head (w/ coil handle)
27M80H	Gasket Kit, Ash Drawer (3/8" x 1/8" Flat x 16' of 01098) ①
26M81	Gasket Kit, Door 3/4" Rope (10' of 11547)
27M79	Gasket Kit, Glass 1/8 x 1/2" (9' of 01060)
34009	Glass, Center, 11 7/16 x 16 9/16" (Gasket not included)
38047	Glass, Side, 3 1/4 x 11 7/16" (Gasket not included)
38042	Hinge Pins, Door, Female (Order 2 if set is needed)
38043	Hinge Pins, Door, Male (Order 2 if set is needed)
39250	Latch Assy, Door (w/ 5/16-18 x 1-1/2" bolt)
8075	Torque Plate (Latch)
Electrical Parts	
38122	Blower, Exhaust (EBM 90 Cfm) (1950 Rpm, 30 Amps) Gasket not included
38125H	Blower, Room Air (EBM 160 Cfm) (Includes Gasket 38127)
38123	Capacitor, Exhaust Blower (Round)
38126	Capacitor, Room Air Blower (Oval)
38120	Control Board, 5 heat settings
38165	Disc, Fan - 3 Prong (F155°-20F)
18253	Disc, High Limit (L250°-40F, Auto Reset)
34121H	Disc, High Limit (L250°-40F, Manual Reset)
11565	Disc, Low Limit (Safety Disc, F110°- 20F)
38092	Gasket, Exhaust Blower
38127	Gasket, Room Air Blower
527	Knob, Rheostat
15070	Motor, Auger, M-K w/ Coupler (6 RPM, .80 Amps)
15060	Motor, Cup, M-K w/ Coupler (1.2 RPM, .41 Amps)
38124	Power Cord (includes Wire Harness)
38148	Pressure Switch
528	Rheostat, Blower Speed Control (Knob, 527, Not Included) - 02082
Hopper Parts	
38146	Gasket, Hopper/Burner (Between bottom hopper flange and metering cup flange)
38022	Lid, Hopper
Feed System Component Parts	
38130	Auger Assembly, 12 5/16" Overall
15035	Bearing, Pillow Block (for metering cup and auger) *
38054	Blades, Metering Cup (Order 2 if set is needed)
18491	Bushing, Bronze (For Metering Cup) (Order 2 if set is needed)
15041	Couplers, 1/2" Lovejoy (Order 4 is set is needed)
38053	Cup, Metering
15031	Gear, Spyder (Aluminum) (Order 2 if set is needed)
15078	Propeller (Cup and Auger Motors Fan Blade)

Miscellaneous Parts	
16348	Ash Drawer Assembly
38087	Collar, 3" Stack
38029	Cover, Clean-Out Access
38068	Gasket, Ash Drawer (Order 2' minimum)
38096	Gasket, Stack (For Flue Outlet Assy) (Top & Top/Rear)
38099	Igniter Kit, Autostart
70K99	Paint, Black Metallic, 12 oz. Spray #6309 (76-141MB)
16050205	Thermostat, Wall, Honeywell (Thermostat Wire, P/N 16020204, is not included)
16020204	Wire, Thermostat, 20' coil - 18 gage
Logs & Firebox Parts	
38028	Baffle Plate
38100	Brick Panel Set, Fiber
38050	Firepot, Pellet
38098	Gasket, Lower Rear Exhaust Outlet
38068	Gasket, Burner Tube 1/8 X 1/2" (Requires 2')
38108	Gasket, Clean Out Cover
38157H	Gasket, Firepot (Lytherm)
38101	Log Assembly

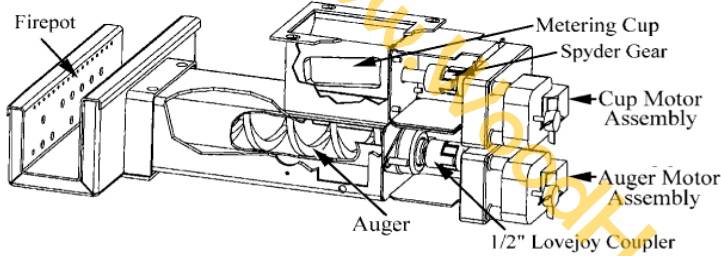
① Gasket needs to be cut in five lengths, (2) 11", (2) 2 1/2", (1) 16 1/4"

* The metering cup bushings can be replaced with pillow block bearings to allow for better alignment

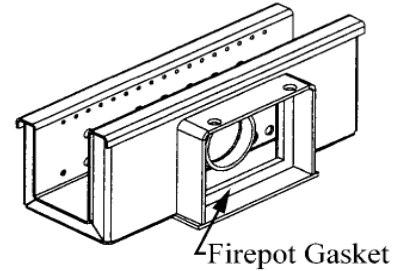
Electrical Components



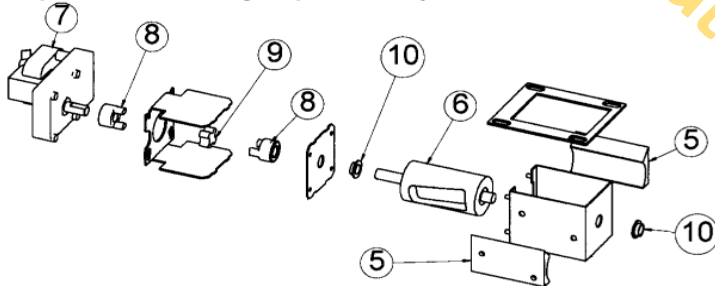
Burner Assembly



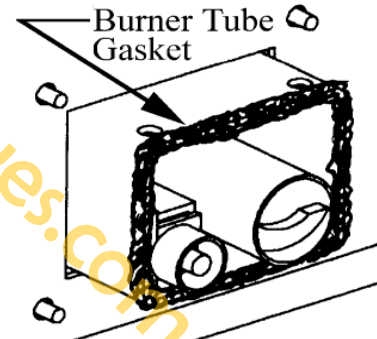
Firepot Gasket (p/n 38157H)



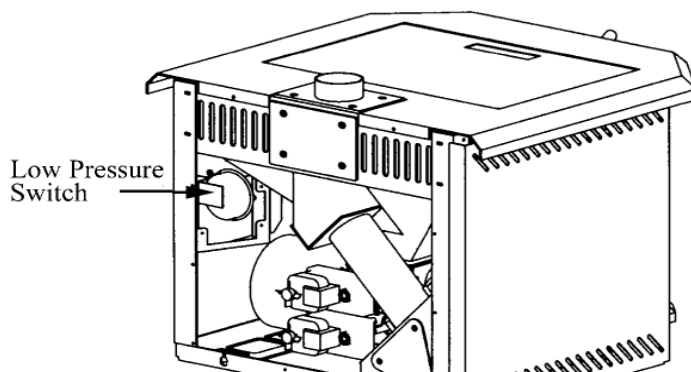
Cup Motor / Metering Cup Assembly



Burner Tube Gasket (p/n 38068)



Low Pressure Switch – NF2000 (p/n 38148)



Latch Assembly (P/N 39250)

