

**LENNOX HEARTH PRODUCTS****Service Replacement Parts List****GBV40DV****Gas, Direct Vent, Freestanding****MODEL YEARS: 1999 - 2000**

ITEM NO	DESCRIPTION
<b>Door Parts</b>	
34011-4	Clip, Glass Side - Order 2 if set is needed
32071-5	Clip, Glass Top/Bottom - Order 2 if set is needed
32071-6	Clip, Glass Top/Bottom Side - Order 4 if set is needed
65050	Door Assembly, Gold
26M81	Gasket Kit, 3/4" Door Rope (adhesive not included. use RTV high-temp. silacone as an adhesive)
27M79	Gasket Kit, Glass (9' of 01060; .187 x 18.4mm, self adhesive)
34009	Glass, Front Door 11 3/8 x 16 9/16" (gasket not included)
34010	Glass, Side Door 11 3/8 x 2 15/16" (gasket not included) - Order 2 if set is needed
<b>Gas &amp; Electrical Parts</b>	
45091	Battery Box, Igniter (AA battery not included)
45061	Battery Switch, Igniter
64022H	Burner Tube Assembly, Main (w/ Brackets)
11450091	Gas Line, Flex, 3/8" Dia. x 24" - 4 per pkg.
65012	Gasket, Burner Tray
39014	Gasket, Pilot
45062	Ground Wire 12" (For Igniter)
PH-0004	Orifice, Burner (#31) - Natural Gas
32036	Orifice, Burner (#51) - Propane
75L1201	Orifice, Pilot (#51) - Natural Gas - Fits pilot P/N 42M2101 (new style) - see notes. *
75L1301	Orifice, Pilot (#35) - Propane - Fits pilot P/N 42M2201 (new style) - see notes. *
45143H	Orifice, Pilot (#51) - Natural Gas - Fits pilot P/N 45059H (old style) - see notes. **
45144	Orifice, Pilot (#35) - Propane - Fits pilot P/N 45063H (old style) - see notes. **
42M2101	Pilot Assembly, Natural Gas (new style w/detachable pilot hood. Fits all revisions of this model. Replaces P/N 45059H. Pilot includes pilot tube) *
42M2201	Pilot Assembly, Propane (new style w/detachable pilot hood. Fits all revisions of this model. Replaces P/N 45063H. Pilot includes pilot tube) *
26M76	Pilot Tube Kit, 24" (0.199.620) - Includes fittings
45135	RB Regulator, 1.7 to 3.5" WC - Natural Gas (Controls flame height)
45136	RB Regulator, 6.3 to 10" WC - Propane (Controls flame height)
H0249	Remote Control, Standard, on/off, radio frequency (26N04, 40025000, 25050)
H0251	Remote Control, Deluxe w/thermostat, radio frequency (98K99, 3001)
410-270	Switch, On/Off (Burner)
49119	Thermocouple, 24" / no pilot bracket fitting (provided on pilot bracket) (units mfg'r'd < 3/99)
32041	Thermocouple, 24" w/pilot bracket fitting (units mfg'r'd > 3/99)
18050	Thermopile, 24"
89L36	Thermostat, Wall, MV, Gas, WTK (10N64, 18120)
52L05	Valve, Control, SIT - Natural Gas (25060)
10850057	Valve, Control, SIT - Propane (25070)
25095	Wire Harness, Burner
45066	Wire, Igniter (24")

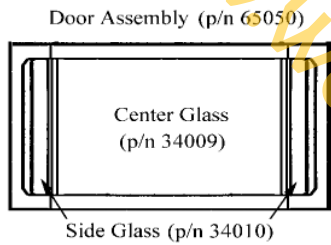
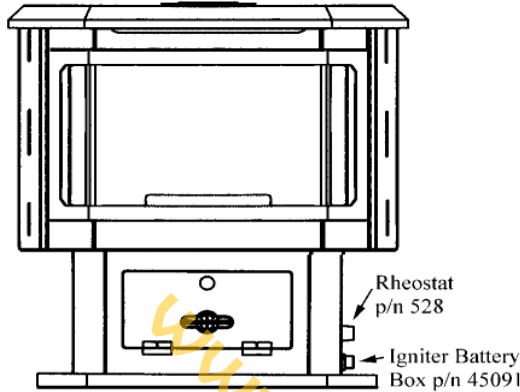
<b>Room Air Blower Parts (Optional)</b>	
14M86	Blower Kit, Room Air (includes rheostat & fan disc - TOD)
527	Knob, Rheostat
26M22	Power Cord
528	Rheostat, Blower Speed Control (knob not included)
34132	Wire Harness, Blower
<b>Miscellaneous Parts</b>	
14M86	Blower Assembly, Room Air (w/ Fan Sensor TOD)
14M15	Conversion Kit, Natural Gas to Propane (65140) - Includes #56 burner orifice (requires drilling to size as specified on chart), #35 pilot orifice, RB regulator, and conversion label.
14M14	Conversion Kit, Propane to Natural Gas (65130) - Includes #56 burner orifice (requires drilling to size as specified on chart), #51 pilot orifice, RB regulator, and conversion label.
509	High Altitude Kit
39028	Knob, HI / LO
39020	Knob, Pilot
70K99	Paint, Black Metallic (12 oz. Spray #6309), 76-141MB
25022	Restrictor Ring, Flue (Requires up to 3, See Owner's Manual)
<b>Firebox &amp; Log Parts</b>	
88L53	Embers, Glowing, 1 oz. Bag (order a minimum of 6 for maintenance needs)
64027	Log Set, 4 pc. Fiber
65025	Panel Set, 4 pc. Brick (Blond)
39032	Pin, Log (Requires 5)
25022	Restrictor Ring, Flue (Requires up to 3, See Owner's Manual)

Includes thermocouple, thermopile, pilot orifice, pilot tube and igniter electrode. The igniter wire, P/N 45066, is not included.

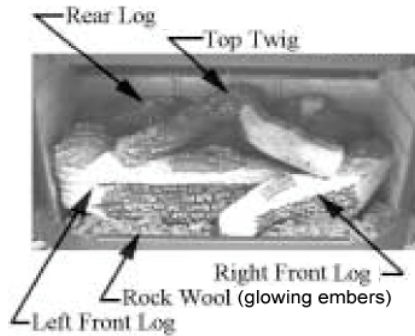
\* Fits pilot assemblies w/detachable pilot hood (there is a visible clip on the body of the pilot hood which must not be removed when installing pilot orifice).

\*\* Fits pilot assemblies w/o a detachable pilot hood (the pilot tube fitting requires removal to install. Body of pilot hood does not have a visible clip.)

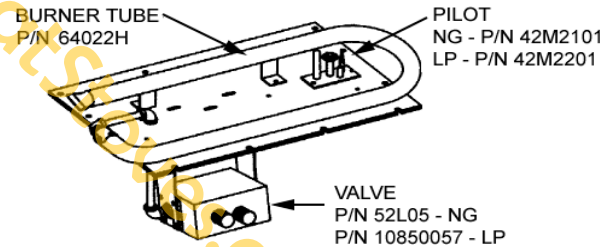
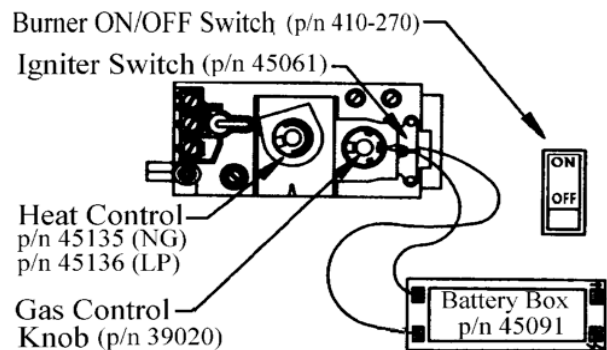
The later style GBV40DV models manufactured after March 31, 1999 have a different body, logs and burner than earlier units. The later style units can be identified by looking at the control door cover on the front of the pedestal. If the cover is flush with the pedestal face, it is a later style.



**4-piece Log Set – P/N 64027**



**Gas Valve Controls**



**Room Air Fan System Wiring Diagram**

