

## LENNOX HEARTH PRODUCTS

### Service Replacement Parts List

**(BayView ®)BV400C / (BV400C-2 > Ser #20153)  
14M29 & H0542**

**MODEL YEARS: 1986 - 2005 (catalytic)**

**Wood, Insert, 6" or 8" approved Flue, EPA phase 2, Residential Only**

ITEM NO	PART NO	DESCRIPTION
<b>Door and Glass Parts</b>		
**	27M67	Clip Set, Glass
6	G300	Door Assembly, Gold (handle included)
**	26M81	Gasket Kit, Door, 3/4" Rope, 10' - RTV adhesive not included
**	27M81	Gasket Kit, Glass (10' w/self adhesive backing)
**	H1836	Glass, Large Arched 11 x 17" (gasket not included)
**	G410	Glass, Side 4 x 8 3/4", 1 pc. (gasket not included). Etched glass is no longer available.
7	10300	Handle Assembly (does not fit brass doors - no longer available)
**	11529	Hinge Pin, 10 L 18, Original (requires welding)
**	11531	Hinge Pin, Retrofit (requires drill #3 [.213"] & tap 1/4"-28 UNF. order 2 if set is needed)
**	H0981	Torque Plate (latch) longer latch can be subbed, H3439
**	11538	Trim, Left Side Gold ✓
**	11540	Trim, Right Side Gold ✓
<b>Draft Module Parts</b>		
**	H1828	Handle, Draft Module Coil (00907)
8	26M68	Module Assembly, Draft (controls burn rate)
<b>Catalytic Combustor Parts</b>		
3	11000	Clip, Combustor (new style - bracket with setscrew) Fits all revision units
2	14000	Combustor Assembly 3" (*SN>7802) - Includes ceramics, gasket & housing
**	11481H	Gasket, Interam Combustor (1/16"x3"x36")
**	BV100	Probe, Combustor Temperature
<b>Room Air Blower Parts</b>		
**	410-25L	Blower Assembly, Left ☒
**	410-25R	Blower Assembly, Right ☒
**	H6858	Blower Motor Only, 1 ea. (includes metal propeller)
**	11565	Disc, Low Limit, 1 ea. (blower, F110°-20F, 60T12)
**	527	Knob, Rheostat
**	26M22	Power Cord, 8 Ft.
**	42M14	Propeller, Blower Motor, Metal
**	H3444	Restraint, Power Cord
**	528	Rheostat, Blower Speed Control (knob not included)
**	27K30	Switch, On/Off, Bypass
**	H1831	Terminal Block, Large
**	H1832	Terminal Block, Small
5	LB-102280	Wire Harness, Blower (w/ left crossover wire harness, right wire harness and power cord)
<b>Surround Parts</b>		
**	2046	Bracket, Surround Trim ("L" bracket / corner key. order 2 if set is needed)
**	410-43	Insulation Kit Set, Surround
9	430	Surround Assembly, Standard 48" x 32" (includes gold-tone trim)
**	H1821	Trim Kit, Gold Tone, 48" x 32" (standard)
10	26M69	Trim Kit, Gold Tone, 48" x 35 1/2" (trim for units with optional ash drawer installed)

ITEM NO	PART NO	DESCRIPTION
<b>Miscellaneous Parts</b>		
11	14M69	Ash Drawer Kit (BVAD) Increases height of unit by 3 1/2"
**	not available	Leveling Bolt, 1/2" x 3", 00700 (for recessed fireplace fireboxes). Purchase 1/2" diameter bolt at the length needed (& nuts) from hardware store.
15	11807	Panel, Left, Louvered (panel covering LH blower system)
16	11809	Panel, Right, Louvered (panel covering RH blower system)
**	70K99	Paint, Metallic Black, 12 oz Spray Can, 76-141MB (#6309)
**	H0982	Skid Plate - tool to assist in sliding heavy insert into fireplace
<b>Firebox Parts</b>		
**	11711	Cover, Ash Dump (w/ gasket 4 1/4 x 8 3/8" x 1/2")
4	26M70	Damper Kit (includes damper, linkage and rod. damper hook, C-200-51, not included)
1	FB17	Firebrick, 3 1/4 x 5 1/8 x 0" Regular (order 2, if set is needed) ♦
1	FB16	Firebrick, 8 3/4 x 2 1/4 x 5 1/8" Regular (order 2, if set is needed) ♦
1	FB22	Firebrick, 9 x 3 1/4" Regular (order 2, if set is needed) ♦
1	FB-1	Firebrick, 9 x 4 1/2" Regular (order 8, if set is needed) ♦
1	10545	Firebrick, 9 x 4 1/2" w/ Notch (order 4, if set is needed) (10545)w
**	H1869	Gasket, Ash Dump (4 1/4 x 8 3/8 x 1/2")
**	C-200-51	Hook, Damper (coil handle with hook for opening / closing damper bypass)

*'Right & Left are referred to as viewed from front of unit.*

\*\* = No picture

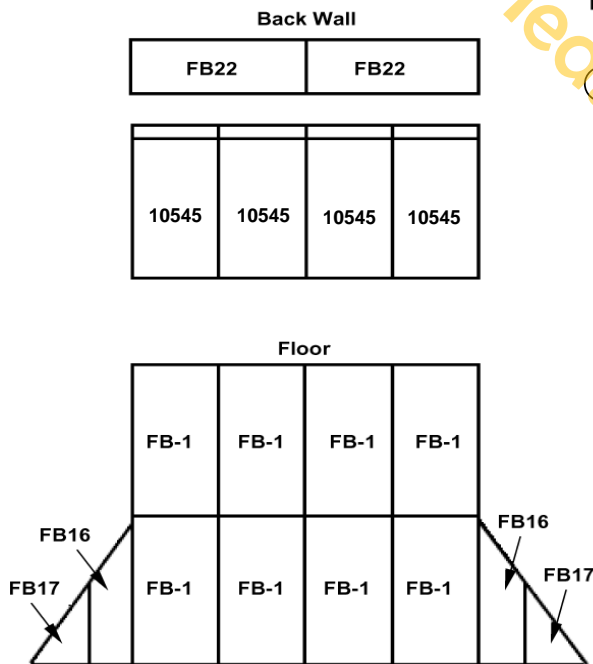
\*SN Stove serial number range, parts are compatible with:

">" = greater than # indicated, "<" = less than # indicated, "-" = numbers within range

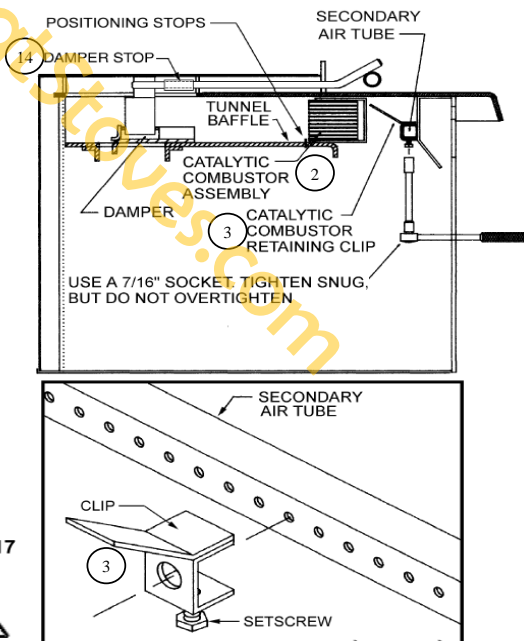
✓ Units manufactured prior to 3/99 may have brass trim and will require replacing both trim pieces to match.

☒ Blower assemblies include 2 blowers w/ propellers, mounting bracket and terminal block.

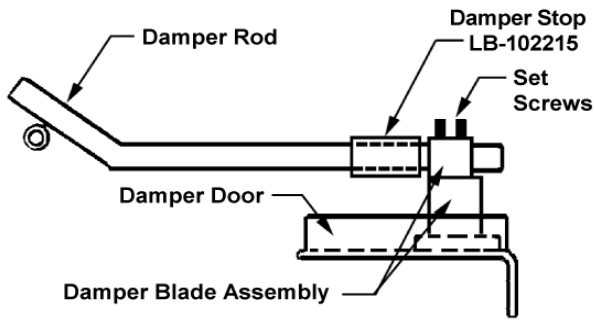
**Firebrick** (1) ♦ All firebrick are 1 1/4" thick



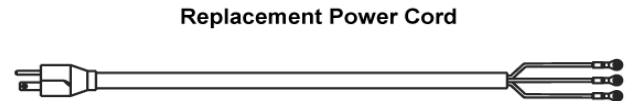
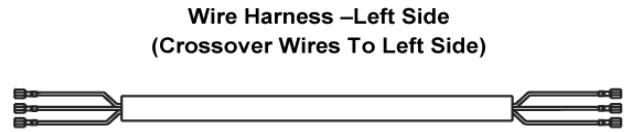
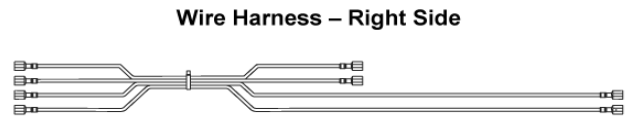
**FIREBOX COMPONENTS**



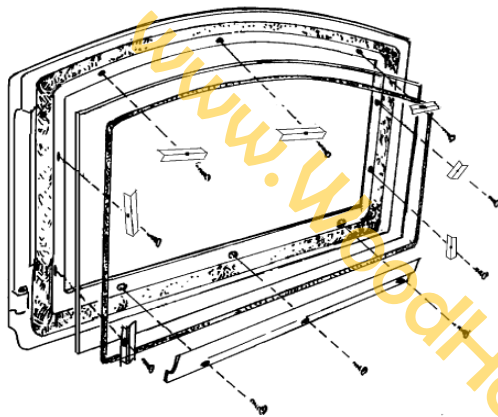
REPLACEMENT DAMPER KIT (Cat. No. 26M70) ④



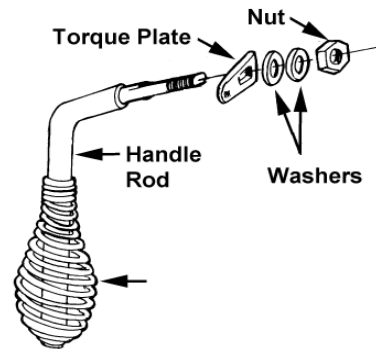
WIRE HARNESS KIT (P/N LB-102280) ⑤  
Includes the following 3 Components:



GOLD DOOR ASSEMBLY - P/N G300 ⑥  
(Includes handle assembly)



HANDLE ASSEMBLY - P/N 10300 ⑦



DRAFT MODULE ASSEMBLY (Cat. No. 26M68) ⑧

