

LENNOX HEARTH PRODUCTS

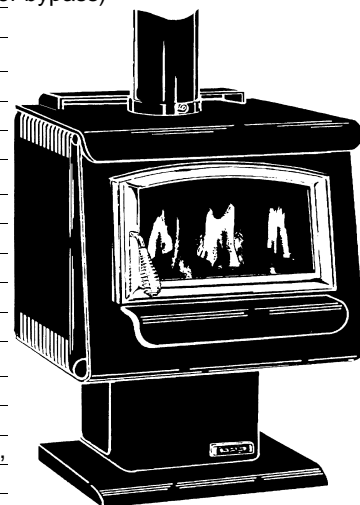
Service Replacement Parts List

1003C / 1003CL (catalytic)

MODEL YEARS: 1990 - 2005

Wood, Freestanding w/ Pedestal (C) or Legs (CL), 6" Flue, EPA phase 2, Residential / Mobile Home

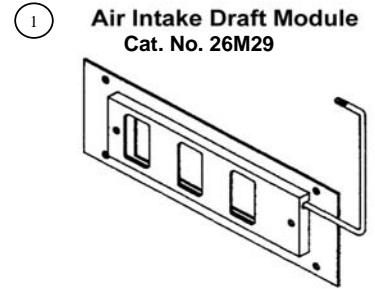
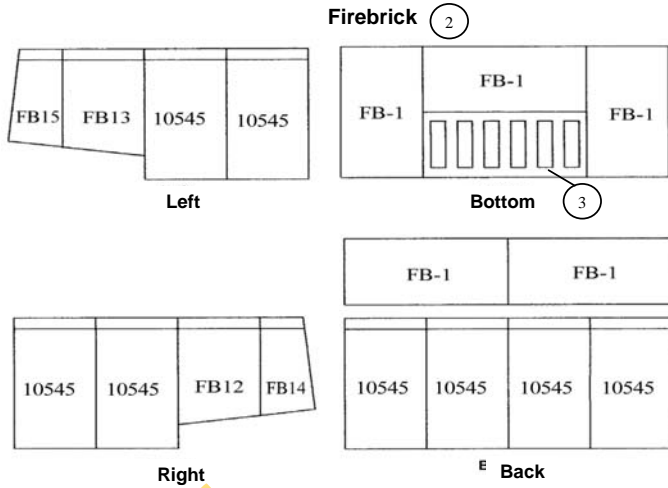
ITEM NO	PART NO	DESCRIPTION
Door Parts		
**	27M65	Clip Kit, Glass
6	G6000	Door Assembly, Black, handle included
**	26M81	Gasket Kit, Door, 3/4" Rope, 10' - RTV adhesive not included
**	27M81	Gasket Kit, Glass (10' w/self adhesive backing)
**	H1835	Glass, Small Arched, 9 3/8 x 15 3/4" (gasket not included)
7	10300	Handle Assembly, Door, (does not fit brass doors)
**	11531	Hinge Pin, Retrofit (requires drill #3 [.213"] & Tap 1/4"-28 UNF. order 2 if set is needed)
**	H0981	Torque Plate - longer latch can be subbed, H3439
Draft Module Parts		
**	H1828	Handle, Spring Module
1	26M29	Module Assembly, Draft (fits 1003C with pedestal base - Not 1003CL)
Catalytic Combustor Parts		
5	11000	Clip, Combustor (bracket w/ set screw)
**	CLIP-2	Clip, Combustor (stairstep clip)
4	14000	Combustor Assembly, 3" - Includes ceramics, gasket & housing
**	11481H	Gasket, Interam Combustor (1/16 x 3 x 36")
**	C-200-51	Hook, Damper (coil handle with hook for opening / closing damper bypass)
**	H0310	Probe, Combustor Temperature
Room Air Blower Parts		
13	14M22	Blower Kit (includes Dial-A-Temp)
9	26M22	Power Cord, 8 Ft.
**	H1859	Rheostat, Dial-A-Temp
Miscellaneous Parts		
**	1100	Ash Drawer Assembly
**	1151	Cover Plate, Draft Control (on front of pedestal)
**	27M80	Gasket Kit, Ash Drawer, 3/8" x 1/8" 16'
**	1135	Knob, Ash Drawer
**	70K99	Paint, Metallic Black, 12 oz Spray Can, 76-141MB (#6309)
Firebox Parts		
**	H1869	Ash Dump Blanket, 4 1/4 x 8 3/8 x 1/2"
**	11711	Ash Dump Cover w/ Gasket, 4 1/4 x 8 3/8" (*SN<3200 approx.)
8	26M27	Damper Kit (includes damper, linkage and rod. The damper hook,
**	14M66	Duct, Floor, 3" Round, (for leg based models)
<i>Right & Left are referred to as viewed from front of unit.</i>		
Firebox Parts - Continued (♦ All firebrick are 1 1/4" thick)		
2	FB14	Firebrick, 6 3/4 x 3 x 2 3/8" Left (requires 1) ♦
2	FB15	Firebrick, 6 3/4 x 3 x 2 3/8" Right (requires 1) ♦
2	FB12	Firebrick, 7 3/8 x 4 1/2 x 6 3/4" Left (requires 1) ♦
2	FB13	Firebrick, 7 3/8 x 4 1/2 x 6 3/4" Right (requires 1) ♦
2	FB-1	Firebrick, 9 x 4 1/2" Regular (order 5, if set is needed) ♦
2	10545	Firebrick, 9 x 4 1/2" w/Notch (order 8, if set is needed) ♦
3	1115	Grate, Cast Iron (SN>3200 approx.)



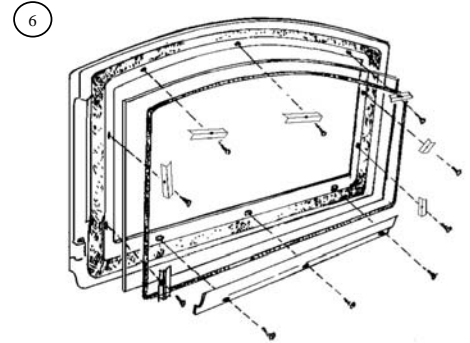
** = No picture

*SN Stove serial number range, parts are compatible with:

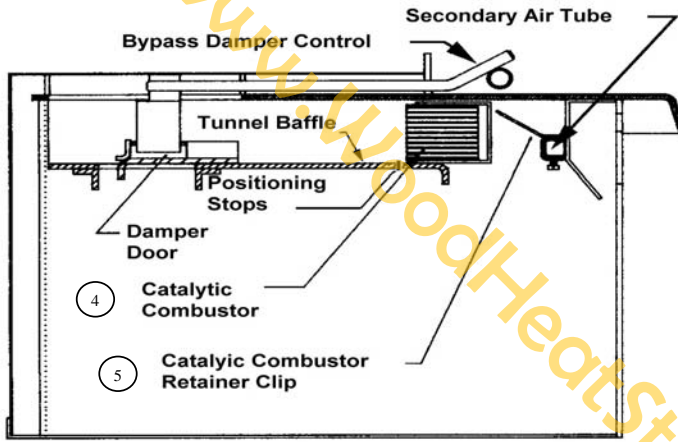
">" = greater than # indicated, "<" = less than # indicated, "-" = numbers within range



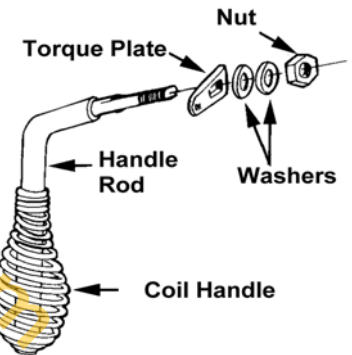
DOOR ASSEMBLY – P/N 14M72 (Gold) and P/N G6000 (Black). Includes handle assembly.



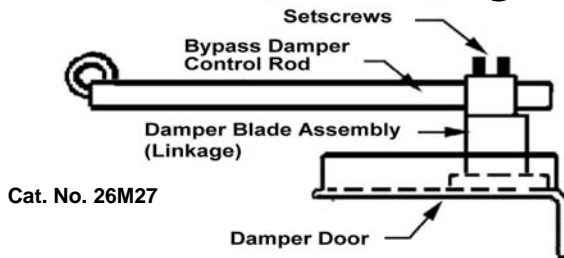
Catalytic Combustor System Components



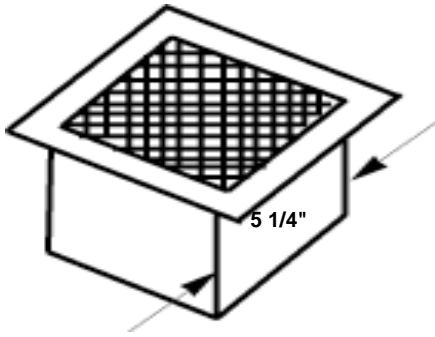
⑦ **Handle Assembly (P/N 10300)**



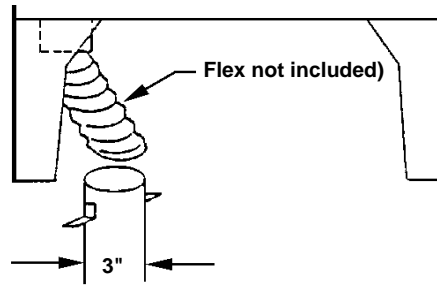
Damper Assembly ⑧



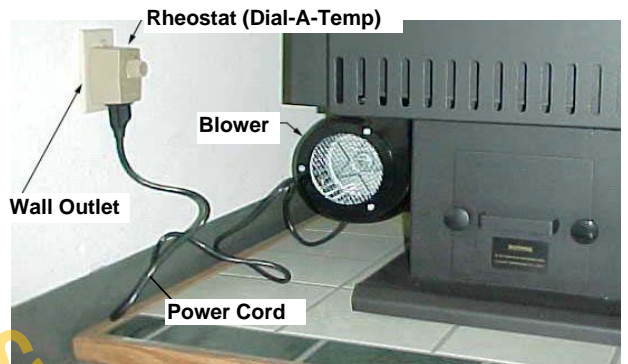
10 Floor Duct - Square
(for units w/pedestal base)



11 Floor Duct - Round
(for units w/leg base)



13 Room Air Blower Kit



www.WoodHeatStoves.com