

## LENNOX HEARTH PRODUCTS

### Service Replacement Parts List

### 1002C / 1002CL

MODEL YEARS: 1988 - 1990

ITEM NO	DESCRIPTION
<b>Door Parts (brass doors no longer available)</b>	
27M65	Clip Kit, Glass
G6000	Door Assembly, Black, H0533, handle included
14M72	Door Assembly, Gold, G3000, handle included
86-128	Gasket Kit, Door (3/4" Rope Includes Adhesive)
27M81	Gasket Kit, Glass (10' of 10580)
G2000-7	Glass, Small Arched, 9 3/8 x 15 3/4" (Gasket not included)
10300	Handle Assembly, Door, LB-102214 (does not fit brass doors)
11531	Hinge Pin, Retrofit ( Requires Drill #3 [.213"] & Tap 1/4"-28 UNF. order 2 if set is needed)
10362	Torque Plate (Latch)
<b>Air Control Draft Module Parts</b>	
26M29	Module Assembly, Draft (Fits 1002C - Pedestal Base - Not CL) - 11658
11670	Module Assembly, Draft (Fits 1002CL - Leg Base)
907	Spring, Draft Module Handle Coil (00907)
<b>Catalytic Combustor Parts</b>	
11000	Clip, Combustor (bracket w/ set screw)
CLIP-2	Clip, Combustor (stairstep clip)
ESCC	Combustor Assembly, 2" - Includes ceramics, gasket & housing
11481H	Gasket, Interam Combustor (1/16 x 3 x 36") - 11481
C-200-51	Hook, Damper (Coil handle with hook for opening / closing damper bypass)
11485	Housing, Combustor (Also requires 1 Each P/N 11481)
H0310	Probe, Combustor Temperature (Z-SC-107)
<b>Room Air Blower Parts (if optional blower is installed)</b>	
14M22	Blower Kit (includes Dial-A-Temp) - 820
14440	Rheostat, Dial-A-Temp
14M21	Stove Stat Kit (Automates Fan / Heat Sensor) - 18840
<b>Miscellaneous Parts</b>	
1100	Ash Drawer Assembly (01100)
27M80H	Gasket Kit, Ash Drawer 1/2 x 1/8" (16' OF 01098)
1135	Knob, Ash Drawer (01135)
70K99	Paint, Metallic Black, 12 oz Spray Can, 76-141MB (#6309)
14M66	Duct, Floor, 3" Round, 85-35 (for leg based models)
14M67	Duct, Floor, 5 1/4" Square, 78-35 (for pedestal based models)
<b>Firebox Parts</b>	
11812	Blanket, Ash Dump, 4 1/4 x 8 3/8 x 1/2" (*SN<3200 Approx.)
11711	Cover, Ash Dump w/ Gasket 4 1/4 x 8 3/8" (*SN<3200 Approx.)
26M27	Damper Kit (includes damper, linkage and rod)
26M26	Upper Channel Replacement Kit (Tunnel Baffle). Catalytic combustor must also be replaced because of design change, also order 3" combustor - p/n 14000. Kit does not include damper assembly, cat. no. 26M27

\*SN Stove serial number range, parts are compatible with:

">" = greater than # indicated, "<" = less than # indicated, "-" = numbers within range

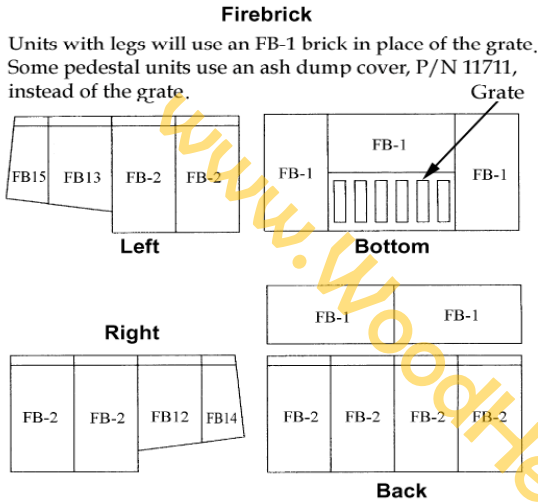
**Firebox Parts - Continued**

FB14	Firebrick, 6 3/4 x 3 x 2 3/8" Left (requires 1) ♦
FB15	Firebrick, 6 3/4 x 3 x 2 3/8" Right (requires 1) ♦
FB12	Firebrick, 7 3/8 x 4 1/2 x 6 3/4" Left (requires 1) ♦
FB13	Firebrick, 7 3/8 x 4 1/2 x 6 3/4" Right (requires 1) ♦
FB-1	Firebrick, 9 x 4 1/2" Regular (order 5, if set is needed) ♦
FB-2	Firebrick, 9 x 4 1/2" w/Notch (order 8, if set is needed) ♦
1115	Grate, Cast Iron (SN>3200 approx.) - 01115

**Firebrick Diagram**

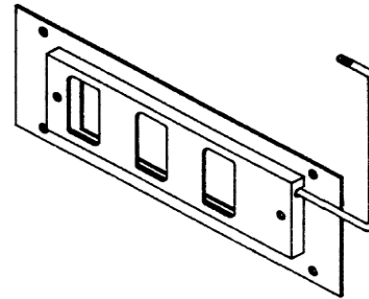
(Model 1002CL has an FB-1 brick in place of the grate or an Ash Dump Cover - 11711)

♦ All firebrick are 1 1/4" thick

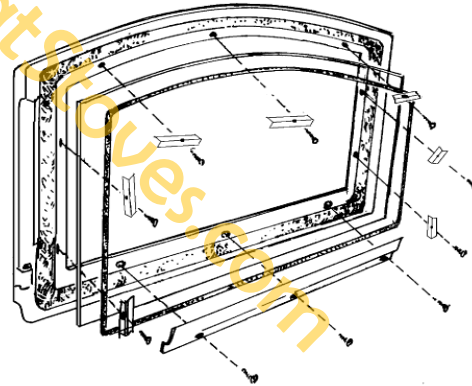


**DRAFT MODULE ASSEMBLY (Air Intake Control)**

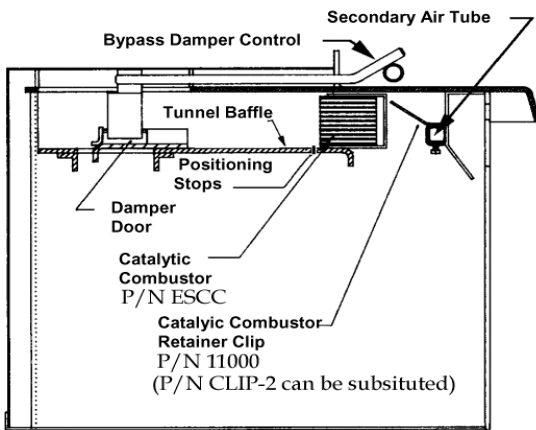
Model 1002C (w/ pedestal base)



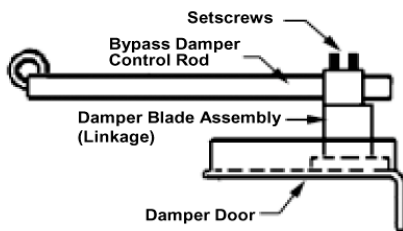
**DOOR ASSEMBLY – P/N 14M72 (Gold) and P/N G6000 (Black). Includes handle assembly.**



**Catalytic Combustor System Components**



**Damper Assembly**



**HANDLE ASSEMBLY – P/N 10300**

