

MISC. TECHNICAL INFORMATION

Revised Sep 2006

OLD WOOD STOVE ABBREVIATIONS

C130 (C55)	Converter Striker	CVF	Converter Flush
C180	Converter II	CVFM	Converter Flush
C20	Starlite	CV2M	Converter II Magnum
C21	Starlite Fireplace Insert	CVM	Convert Magnum
C230	Converter Flush	E180	Elite II
C240	Converter Flush	E230	Elite Flush
C30	Converter Magna Cat	E240	Converter Flush (Bay)
C35	Elite Magna Cat	P	Performer
C4	Performer	PAM	Performer Air Magnum
C40	T-Top	S	Spirit
C45	Converter Flush	S130 (C50)	Striker
C46	Elite Flush	S180	Performer
C5	Converter II	S230	T-Top
C50	Striker	S240	T-Top
C55	Converter Striker	SF	Spirit Fireplace Insert
C6	Elite II	T	T-Top
CV	Converter	TAM	T-Top Air Magnum
CV II	Converter Flush		

OLD PRODUCTS ABBREVIATIONS

BLUHP 1	Under Hearth Plate Blower for C or E 240, 260, 310	BTK	Brass Trim Kits
BLUHP 2	Under Hearth Plate Blower for C160 / C or E 210	NTK	Nickel Trim Kits
BLFSBB 1	Free Standing Blower for S/A 160, 210, 240, 260, 310	HS	Heatshield
EBS	Elite Blower Sides for E 210, 240, 260, 310		
FSB	Free Standing Blower for S130, 180		

PARTS SIZES & DIMENSIONS – Woodstoves/Inserts

<i>Thickness of Steel Used In</i>	<u>Top</u>	<u>Sides</u>	<u>Bottom</u>
S160 / C160	1/4"	3/16"	3/16"
S 210 / C or E 210	5/16"	1/4"	3/16"
S 240 / C or E 240	1/4"	1/4"	3/16"
S 260 / C or E 260	1/4"	1/4"	3/16"
S 310	1/4"	1/4"	3/16"
C or E 310	5/16"	1/4"	3/16"

Width of Insert (Measured Just Behind Flange Mounts)

C 160	23-1/2"
C or E 210	25-3/8"
C or E 240	28-1/2"
C or E 260	28-1/2"
C or E 310	28-1/2"

Draft Rod Extension Lengths

E 210 / E 210 / E 260	10'
E 310	9'

CERAMIC FIBER BLANKETS – Woodstoves/Inserts *(Size & Density)*

<u>Stove</u>	<u>Size</u>	<u>Part #</u>
C4 / 5 / 6	13" x 21" 1"	CBC456
C20 / 21	15-1/4" x 8" x 1/8" x (2 Each)	MISC
C40 / 45 / 46	13-3/4" x 25-1/4" x 1"	CB230
C50 / 55	20-1/2" x 9" x 1/4"	CBC50
CVM / CVEM	24" x 16-1/4" x 1"	CBCVM
CVFM	24" x 11" x 1"	CBCVFM
CV2M	20" x 11-1/2" x 1"	CBCV2M
PAM	12" x 8" x 1" (2 Each) 4" x 8" x 1" (1 Each)	CBPAM
C/ S 130	21" x 9" x 1/4"	CB130
C/S 160	20" x 11" x 1/4"	35231
C / E / S 180	20-1/2" x 13" x 1"	CB180
C / E / S 210	15 1/8" x 12-1/2" x 1/2" (2 Each)	35236
C / E / S 230	13 3/4" x 25 1/4" x 1"	CB230
C / E / S 240	13" x 13-1/8" x 1" (2 Each)	CB240
C / E / S 260	15-1/2" x 22-1/2" x 1"	35237
C / E / S 310	17" x 13" x 1" (2 Each)	35238
Starlite	14-1/2" x 9-3/4" x 1/2" (2 Each)	MISC
TAM	24" x 12-1/4" x 1"	CBTAM

The Box Stove, Elite II, Space Saver, & Spirit did not have ceramic blankets

Stove	Baffle Brick Set	Complete Brick Set
Box Stove	Misc	Misc
C4 / C5 / C6	01-0300-0001-1802	01-0300-0001-1800
C20 / C21	Misc	Misc
C30 / C35	01-0300-0001-3502	01-0300-0001-3500
C40 / C45 / C46	01-0300-0001-2302	01-0300-0001-2300
C50 / C55	01-0300-0001-1302	01-0300-0001-1300
C130	01-0300-0001-1302	01-0300-0001-1300
C160	45204	45206
C180	01-0300-0001-1802	01-0300-0001-1800
C210	45214	45216
C230	01-0300-0001-2302	01-0300-0001-2300
C240	01-0300-0001-2402	01-0300-0001-2400
C260	45222	45224
C310	45232	45234
CVM / CVEM	01-0300-0001-3002	01-0300-0001-3000
CV2M	01-0300-0001-2902	01-0300-0001-2900
CVFM	01-0300-0001-2502	01-0300-0001-2500
E180	01-0300-0001-1802	01-0300-0001-1800
E210	45214	45216
E230	01-0300-0001-2302	01-0300-0001-2300
E240	01-0300-0001-2402	01-0300-0001-2400
E260 / ELITE II	45222	45224
E310	45232	45234
PAM	01-0300-0001-1702	01-0300-0001-1700
S130	01-0300-0001-1302	01-0300-0001-1300
S160	45204	45206
S180	01-0300-0001-1802	01-0300-0001-1800
S210	45214	45216
S230	01-0300-0001-2302	01-0300-0001-2300
S240	01-0300-0001-2402	01-0300-0001-2400
S260	45222	45224
S310	45232	45234
Space Saver	Misc	Misc
Spirit	Misc	Misc
Starlite	Misc	Misc
TAM	01-0300-0001-2202	01-0300-0001-2200

Double Door

9-1/4"

#GLSDBLDR

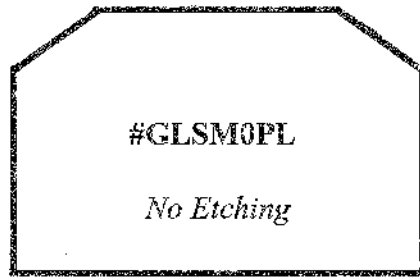


9-1/16"

Old Style Performer

7-7/8"

#GLSM0PL



No Etching

15-1/8"

Small (Non-Wrap)

9"

#GLSM1



18"

Small (Wrap)

9"

#GLSM2



18"

Small (Wrap)

9-5/16"

Current Glass
#71067

Old #GLSM3



17-7/8"

Old Style Large (Non-Wrap)

9-3/8"

#GLLG1



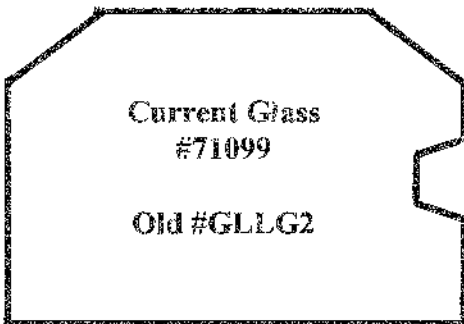
19-15/16"

Large (Wrap)

10-1/16"

Current Glass
#71099

Old #GLLG2



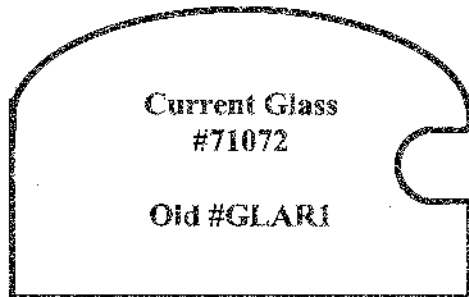
21 5/8"

Arch (Non-Wrap)

7-1/2"

Current Glass
#71072

Old #GLAR1



17-15/16"

NOTE: Sizes do not include window tape

STOVE	GLASS PART NUMBERS	EXTRA INFORMATION
C4 / C5 / C6	GLSM1	
C20 / C21	No Number Call Techincal Dept	Starlite / Spirit Glass (Freestanding or Insert)
C40 / C45 / C46	GLLG1	
C50 / C55	GLSM1	
C130	GLSM1	
C160	GLSM1 / GLSM2 / 71067	1 or 2 up to SN # 5135 / newer - use new part #
C180	GLSM1	
C210	GLSM1 / GLSM2 / 71067	1 or 2 up to SN # 6801 / newer - use new part #
C230 / C240	GLLG1	
C260 / C310	GLLG1 / 71099 (GLLG2)	
CVEM / CVFM	GLLG1	
CV2M	GLSM0	No Etching Available
CVM	GLLG1	
E180	GLSM1	
E210	GLSM2	
E230 / E240	GLLG1	
E310	GLLG1 / 71099 (GLLG2)	
ELITE II	GLSM2	
PAM	GLSM0	No Etching Available
S130	GLSM1	
S160	GLSM1 / GLSM2 / 71067	1 or 2 up to SN # 12298 / newer - use new part #
S180	GLSM1	
S210	GLSM1 / GLSM2 / 71067	1 or 2 up to SN # 9102 / newer - use new part #
S230 / S240	GLLG1	
S260 / S310	GLLG1 / 71099 (GLLG2)	
Space Saver	GLSDBLDR	
Spirit / Starlite	No Number Call Techincal Dept	Starlite / Spirit Glass
TAM	GLLG1	

PART #	SIZE OF GLASS	EXTRA INFORMATION
GLSDBLDR	9-1/16" x 9-1/4"	Double Door Square Notch
GLSM0	7-7/8" x 15-1/8"	No Notch
GLSM1	9" x 18"	Non-Wrap Round Notch
GLSM2	9" x 18"	Wrap Square Notch
71067	9-5/16" x 17-7/8"	Wrap Square Notch
GLLG1	9-3/8" x 19-15/16"	Non-Wrap No Notch
71099 (GLLG2)	10-1/16" x 21-5/8"	Wrap Square Notch Current Glass
35703	9-1/4" x 9-3/4" x 1/4" (2 p#)	Elite Mirror Plain
45709	9-1/4" x 9-3/4" x 1/4" (2 per stove)	Elite Mirror Diamond
71072 (GLAR)	7-1/2" x 17-15/16"	Arch (NEVER CHANGED)

Please Note: When changing glass, be sure to snug the screws down and then back them out a quarter turn to prevent the glass from breaking due to metal expansion.

DOOR ROPE / WINDOW TAPE FOR WOOD STOVES

	<u>Door Rope</u> <u>Part # 35233</u>	<u>Window Tape</u> <u>Part #35232</u>
Large Door (<i>Wrap and Non-Wrap</i>)	6'	6'
Small Door (<i>Wrap and Non-Wrap</i>)	5'	5'
Starlite Door	4'	4'
Starlite Rope	1/2" Diameter (<i>Special custom-made for Country Stoves, Inc.</i>)	
All Other Stoves	7/8" Diameter DO NOT SUBSTITUTE	

OUTSIDE AIR KITS FOR WOOD STOVES

<i>Parts Included</i>	<u>Pedestal Kit</u> <u>Part # 71112</u>	<u>Leg Kit</u> <u>Part # 71111</u>
	(1) 15" Length of 4" Flex Pipe	(1) Plenum Box
	(1) 6" x 6 1/2" Screen	(1) 4" Hose Clamp
	(2) 10-24 x 7/8" Screw	(2) 5" Lag Bolt
	(2) 5" Lag Screws	(1) 15" Length of 4" Flex Pipe
	(1) 11" x 14" Block Off Plate	(1) 1/4" x 1" Bolt
		(1) Flange Clip

Positioning of Hole with Legs for the Outside Air Kits

S160	Center Hole 2-3/16" Behind & 5/8" to the Left of the Center of Flue Pipe
S210	Center Hole 2-1/4" Behind & 5/8" to the Left of the Center of Flue Pipe
S240	Center Hole 3-1/2" Behind & 5/8" to the Left of the Center of Flue Pipe
S260	Center Hole 3-1/2" Behind & 5/8" to the Left of the Center of Flue Pipe
S310	Center Hole 2-3/4" Behind & 5/8" to the Left of the Center of Flue Pipe

Positioning of Hole for Pedestal for the Outside Air Kits

All Stoves Center Hole 4" in Front of Center of Flue Pipe

LEGS & PEDESTAL PARTS LIST FOR WOOD STOVES

<u>Legs</u>	<u>Pedestal</u>	<u>Pedestal with Ash Drawer</u>
(4) Legs	(1) Pedestal	(1) Pedestal
<i>All Hardware is in Heatshield Boxes for the Legs</i>	(2) 3/8" Bolts & Nuts	(1) Ash Drawer
		(2) 3/8" Bolts & Washers
		(1) Ash Rake
		(1) 4-1/2" x 4-1/2" Brick
		(1) 4-1/2" x 4-1/2" Plug

HEATSHIELDS FOR WOOD STOVES

<i>Hardware for Legs</i> <i>Inside all Heatshield Boxes</i>	<u>Stove</u>	<u>Part #</u>	<u>Size of Heatshield</u>
(4) 3/8" x 1-3/4" All Thread	S/A 160	71110	20-1/4" x 15-7/16"
(4) 3/8" Washers & Nuts	S/A 210	71115	22-3/8" x 19-1/8"
(1) 1/4" Leveling Bolt & Nut	S240	HS 2401	25-1/4" x 16-7/8"
	S260	71116	21-5/8" x 24-15/16"
	S310	71117	25-1/4" x 20-1/2"

BLOWERS

U/HP I

(For C240 / E240
C260 / E260 / C310
E310)
4-1/8" Tall
25-5/8" Wide
3-5/8" Deep
Cord Length 6-1/2'
63 Watts/225 CFM

Part # 71001 Black

Part # 71002 Gold

Part # 71003 Nickel

Part # 71160 Brush Gold

Part # 71154 Brush

U/HP II

(For C130 / C160 /
C210 / E210)
3-1/8" Tall
20-1/2" Wide
4-1/2" Deep
Cord Length 6-1/2'
160 CFM

Part # 71004 Black

Part # 71005 Gold

Part # 71006 Nickel

Part # 71153 Brush Gold

Part # 71159 Brush Nickel

FSB700

(For S160 / S210 /
S240 / S260 / S310)
Cord Length 6-1/2'
700 CFM
Speed Control Included

Part # 71000

(Use bolts from 12" x 12"
block off plate) (Sticks out 3"
from back of the stove)

FLANGES

C160 (Thickness 1/8")

<i>Flange Screws</i>	<u>Overall Dimensions</u>	<u>Top</u>	<u>Part #</u>	<u>Sides</u>	<u>Part#</u>
1/4" 20 x 1/2"	26-1/2" x 40"	7-1/2" x 40"	71042	8-3/8" x 19"	71035
Inside Stove	26-1/2" x 48"	7-1/2" x 48"	71043	12-3/8" x 19"	71036
	30-1/2" x 40"	11-1/2" x 40"	71044	8-3/8" x 19"	71035
	30-1/2" x 48"	11-1/2" x 48"	71045	12-3/8" x 19"	71036

C210 (Thickness 3/16")

<i>Flange Screws</i>	<u>Overall Dimensions</u>	<u>Top</u>	<u>Part #</u>	<u>Sides</u>	<u>Part#</u>
5/16" 18 x 1/2"	26-3/4" x 40"	7-1/2" x 40"	71038	7-1/2" x 18 3/4"	71033
Inside Stove	26-3/4" x 48"	7-1/2" x 48"	71039	11-1/2" x 18 3/4"	71034
	30-3/4" x 40"	11-1/2" x 40"	71040	7-1/2" x 18 3/4"	71033
	30-3/4" x 48"	11-1/2" x 48"	71041	11-1/2" x 18 3/4"	71034

C240 / C260 / C310 (Thickness 3/16")

<i>Flange Screws</i>	<u>Overall Dimensions</u>	<u>Top</u>	<u>Part #</u>	<u>Sides</u>	<u>Part#</u>
5/16" 18 x 1/2"	29" x 40"	7-1/2" x 40"	71038	6" x 21-5/8"	71031
Inside Stove	29" x 48"	7-1/2" x 48"	71039	10" x 21-5/8"	71032
	33" x 40"	11-1/2" x 40"	71040	6" x 21-5/8"	71031
	33" x 48"	11-1/2" x 48"	71041	10" x 21-5/8"	71032

CONNECTION TECH INFO (Old Country Connection ZC Cabinet)

Flange Size (24 Gauge)

Top: 15" x 38-3/8"

Sides: 7" x 43" (2 Each)

Cabinet Dimensions (Physical)

Exterior

34" High
42-1/2" Wide (Front)
32" Wide (Rear)
19" Deep

Interior

23" High
39" Wide (Front)
32" Wide (Rear)
16" Deep

Flue Hole Size 6-1/2" Diameter

Vent Hole Size 6" Diameter

Flue Hole Location 12" From Front to Center of Flue Hole Centered Side to Side

Vent Hole Locations 10" From Front to Center of Vent Holes 9-1/2" From Center of Flue Hole (L & R)

Airspace 3" On Top, Back and Bottom 1-1/2" on Sides

Boot Size 4" x 10"

Register Cover Size 11-11/16" x 7-1/4"

Outside Air Location in Cabinet

On Back: 3-1/2" Up From Bottom, Centered on the Back of Connection

On Sides: 3-1/2" Up From Bottom, 10" Back From Face of Connection

Door Screws Self Tapping 10-24 x 1/2" (Allen Wrench Size 5/32")

SECONDARY BURN TUBE REPLACEMENT

S, C130 (C50, C55), S, C, E180 (C4, C5, C6), S, C, E230 (C40, C45, C46)

NOTE: Remove all firebrick and ceramic blankets from the stove and clean out the ashes before starting. Wear gloves to protect yourself from possible sharp edges inside the stove.

Front Tube Replacement:

1. Remove the front tube and front support from the stove with a cutting torch or grinder. Carefully cut the welds on the ends of each tube and the center support of the stainless angle support. Be careful not to damage the firebox sides. The stainless steel tube and angle cannot be cut using a cutting torch (it will melt the pop). **Use extreme caution.**
2. Remove any weld remnants with a small hand grinder, especially on the back of the air tubes, as this will prevent the new tube from fitting properly.
3. The replacement tube comes with the angle support attached to one end of the tube and a hose clamp on the other. The welded end is the left side. Install the front tube angle support through the door opening and raise the right end to the hole on the right side of the firebox. With the angle on top, fit the right end of the tube through the hole working the left side into place. If the left side will not rise completely, trim or bevel the right end to proper fit.
4. Once the tube is installed, shift it to the left until the angle support is hitting the firebox side. Loosen the hose clamp on the right side, slide it against the right firebox and tighten. This will keep the new systems in place until the baffle is reinstalled.

Rear Tube Replacement:

1. Start by removing all traces of the rear tube and center bracket with a cutting torch and a small grinder.
2. The replacement rear tube has a small flat bracket attached to the left end. Install the new tube in the firebox through the door opening and raise the right end and install the new tube through the rear hole in the right firebox side. As the right end goes into the hole, raise the left end up. If it will not rise completely, the tube may need to be beveled or trimmed.
3. Once the new tube is installed, shift it to the left and rotate it until the holes are pointing forward. Loosen the hose clamp and slide it to the right and tighten.
4. The new rear stainless steel baffle support plate supplied with your upgrade has a rear tube center support built into it. When this new part is installed during the replacement of your bricks, it will complete the upgrade.

The bricks and ceramic blanket can be replaced. Consult the instruction manual included with the stove.

SECONDARY BURN TUBE REPLACEMENT

240 & 310 Series

Stoves with welded in secondary tube systems

NOTE: Remove all firebrick and ceramic blankets from the stove and clean out the ashes before starting. Wear gloves to protect yourself from possible sharp edges inside the stove.

Tube Removal:

1. Using a sawzall, cut through all 4 tubes on each side of the center support. Once this process has been completed, remove all tubes.
2. The front and rear tube support can be removed by carefully cutting the welds on the ends as close as possible to where the support meet the firebox using a cutting torch or a sawzall. Be careful not to damage the firebox. The stainless steel tube and angle cannot be cut using a cutting torch (it will melt and pop). ***Use extreme caution.***
3. Once the complete support system is removed it may be necessary to grind away remaining support ends or welds that protrude more than 1/2".

Tube Replacement:

1. The replacement tubes supplied have an integral support system built into each tube. This eliminates the need for a center support and allows the installation without the need of a welder.
2. The new tubes are marked # 1 through # 4. The #1 tube is the front tube. The holes on the tubes point forward. The left end of the tube has a flat bracket that will stop rotation once inside the stoves. The right end has a stainless steel hose clamp that will keep the tube support in place during normal operation. It is important that the tubes are installed in the proper order for clean burning.
3. Starting with the #4 tube, insert the right end into the stove (the end with the hose clamp) and up into the rear right hole. Raise the left end while sliding the tube back and forth. If the left end will not rise to the left rear hole the tube may need to be trimmed on the right end. Remove only 1/16" at a time. Once the tube is in place, slide the hose clamp to the right and tighten.
4. Repeat the procedure with the remaining 3 tubes with #3 going into the next hole, etc.
5. Once all the tubes are installed, rotate them until the flat bracket is at the top. The firebrick will sit on top of this bracket to keep the tube in place during normal operation.
6. The bricks and ceramic blanket can be replaced. On 310 models you will need to replace bricks #26, 27, 29 & 30. On the 240 models you will need to replace bricks #27, 28, 30 & 31. Consult the instruction manual included with the stoves.

WOOD STOVE DOOR MAINTENANCE

To ensure proper functioning of your Country wood stove door, we recommend applying Fel pro anti-seize lubricant to the door handle bushing at least every three months during the burning season. Squeeze the anti-seize into the slight space between the door handle bushing and the cast door face and rotate handle to spread lubricant over bushing. Also, apply some anti-seized to the area of contact between the latch pin and the door striker.

WOOD STOVE DOOR BACK REMOVAL

Remove the door from the stove by removing the “E” clip from the door upper hinge. Pull up upper hinge pin and lift door off hinges.

Peel back the door rope enough to expose the six 5/32” Allen head screws. Penetrating oil may aid in removing the screws.

Remove door faceplate from the door back and remove glass from door back.

If worn, the gasket around glass should be replaced and then glass installed in new door back. Lubricate door bushing with anti-seize lubricant at this time.

Place face plate on door back and reinstall six Allen head screws.

Apply small bead of door glue in door back channel and reinstall door rope.

Place door on hinges and insert hinge pin into upper hinge and secure with “E” clip.

Place anti-seize on contact surface between the latch pin and door striker.

KEEPING YOUR WINDOW CLEAN

The operator plays an important part in keeping the glass clean and free of build up. The first and most important part the operator plays is making sure to burn only, **dry, well-seasoned firewood**.

Wet wood = dirty glass. Keeping your glass door clean is partly accomplished by the air wash system of the stove, which sends clean, fresh air for combustion, over the window before it enters the firebox. The glass is also kept by the high temperatures inside the firebox. Although no stove door stays perfectly clean, the following are methods for keeping build-up on your glass to a minimum. When properly installed and operated by a knowledgeable operator, your stoves glass door should require very little maintenance.

First do not expect to get extremely long burn times and keep the window perfectly clean. Cool temperatures will cause condensation of unburned volatiles on the glass. If your glass gets very dirty during over-night burning, try preheating the stove a little longer before damping it down for an over-night burn. A good indication that the stove is ready to be dampened down is when all of the soot is burned off of the bricks inside your stove. Also, don't damper your stove down as low as you'll get more heat for your money by burning a little hotter for a slightly shorter time.

The air wash system will perform at its best at medium burn rates. Some stove models will self clean by burning very hot fires but be sure not to over-fire the stove. If it glows red it is over-fired. Over-firing a stove also causes the window to soot up. Extremely hot fires with fresh wood may cause the airflow rate inside the stove to exceed one foot per second, which is as fast as the flame can burn. This will cause excessive exhaust emissions and your window to soot up, as the stove is unable to burn the gases emitted from the wood. This is why a candle goes out when you blow on it. Try slowing the stove down a little by closing the damper somewhat as it warms up.

Keeping freshly loaded wood away from the window will also help. Load fresh logs in the rear of the firebox. Build up tends to occur first on the right side of the window. This is caused by the swirling motion of the exhaust gases similar to water running down a drain. Keep fresh logs further back on the right side of the firebox to help prevent this problem.

Understanding how your Country stove works should help you keep your glass door very clean but understand, no glass door stays perfectly clean. We hope this information is helpful in keeping your glass door clean so that you may enjoy many hours viewing your high efficiency Country Stove. For more information, contact your Country Stove dealer.

BOLT PACKAGE BREAKDOWN

Description	Part #	Description of Part #	Qty Needed
DV or Firestar Pedestal 12"	34008	5/16" Flat Washers	4
	34014	5/16-18" Nut	2
	34037	5/16-18 x 3/4" Hex Bolt	2
DV Stove Leg Hardware Kit	34103	3/8" Flat Washer	10
	34046	3/8-16" Hex Nut	4
	34063	3/8-16 x 3/4" Hex Bolt	2
	34061	3/8-16 x 1-1/2" Hex Bolt	4
Firestar Leg Hardware Kit GS2 #FSLHK2	34103	3/8" Flat Washer	8
	34046	3/8-16" Hex Nut	4
	34061	3/8-16 x 1-1/2" Hex Bolt	4
Gas Flange Kit All Sizes	34051	1/4-20" Tinnerman Nut	6
	34055	10-24 x 1/2" Cast Tite Screw	2
	34056	1/4-20 x 1/2" Slotted Screw	6
	33205	3/8-16 x 3" Carriage Bolt	4
	33205	Spring Clips	9
	33204	Corner Brackets for Flange Trim	2
GC2 ZC Front Support	34041	3/8-16 x 6" Carriage Bolt	2
	34103	#8 x 3/8" Black Oxide Phil Screw	7
Heatshield Hardware Kit for Wood	34103	3/8" Flat Washer	6
	34046	3/8-16" Hex Nut	4
	37337	3/8-16 x 2" All Thread Stud	4
	34062	3/8-16 x 2-1/2" Hex Bolt	2
Insert Front Support 160-210	34004	Rivets 5 x 5 5/32"	8
Leg Hardware Kit	34044	1/4-20" Hex Nut	1
	34065	1/4-20 x 1" Hex Head Bolt	2
Hardware Kit for Outside Air Leg	34051	1/4-20" Tinnerman Nut	1
	34065	1/4-20 x 1" Hex Head Bolt	1
	34104	Hose Clamp 4"	1
Hardware Kit for Outside Air Pedestal	34055	10-24 x 1/2" Cast Tite Screw	2
	34071	1/4 x 5" Lag Screw	2
Wood Pedestal Hardware Kit	34103	3/8" Flat Washer	2
	34064	3/8-16 x 3/8" Hex Bolt	2
Wood Insert Flanges	34066	1/2 x 3" Hex Tap Bolt	2
	33205	Spring Clips	9
	33204	Corner Brackets for Flange Trim	2

GLASS VIEWING AREA

Designer / Chat 30 / Ravenna	Arch Double Door	26-3/4" x 12"
	Arch No Door	27-1/2" x 13-1/4"
	Arch Inset	27-3/8" x 12-3/4"
	Bay	30-1/2" x 13"
	Foundry	27" x 13-1/2"
	Louver w/ Doors	27" x 11-1/2"
	Louver No Doors (<i>Not on Chat 30</i>)	27-1/2" x 13-1/2"
	Pillar Cast	29-1/2" x 12-1/4"
	Traditional	27-1/2" x 13-1/2"
	Chat 30 Only	Classic Inset
Chat 42	Arch Double Door	31-1/4" x 16"
	Arch No Door	32" x 18"
	Arch Inset	31-3/4" x 17-3/4"
	Bay	34-3/4" x 17"
	Classic Inset	31-3/4" x 15-3/4"
	Louver w/ Doors	33" x 16-5/8"
DVS2	Bay	21-1/2" x 10-1/2"
Epic	Bay Front 14"x 14-3/4"-Side 4-5/8" x 14"	23-1/4" x 14-3/4"
GC3	Bay	21-1/2" x 10-1/2"
Medina	Arch	27-1/2" x 11-1/2"
	Traditional	27-1/2" x 11-1/2"
Teton	Bay	16-1/2"
Vision	Front 13-3/4" x 15-3/16" – Side 8-3/4" x 16-3/22"	
Vintage	Bay	16-1/2"

DUCTABILITY KIT PARTS LIST FOR CHATEAU 42

1	Flapper Plate	1	Grill 14"
1	Starter Ring adapter	1	Floor/Wall mounts
1	Starter Ring 6"	1	Switch Box (<i>Nails in</i>)
1	6" Flex Duct 15'	1	Switch Box (<i>Screws in</i>)
1	Duct Boot	1	Speed Control #32100
1	Fan Box	1	Spacer for Grille
2	Switch Covers & Knobs (<i>White & Off White</i>)		

CERAMIC LOG SETS

<u>Stove</u>	<u>Log Set Number</u>	
Chat 30 – Designer	30408 / LS9	
Chat 42	30403	
Chat 43	LS5 (<i>Not Available</i>)	
DVS1 & FFC	FSL3 (<i>Not Available</i>)	
DVS2 & GC3	30405 / LS7	Current Logs Check Serial #
DVS2 & GC3	30425 / FSL4	(3 Piece) Check Serial #
Epic	30448	
GFC1 (Flush) & Designer	LS6	Check Serial #
GS1	FSL1 (<i>Not Available</i>)	
GS2 & GC2	FSL2	
Medina	30427	
Pellet	30424	
Ravenna	30402	
Teton & Vintage	30407 / LS8	
Vision	30429	

Use Log Set LS7 #30405 on these Serial Numbers for DVS2 & GC3

Use FSL4 #30425 on all other serial numbers for DVS2 & GC3

DVS2
2441
2457
2531
2537
2547
2593
2751
2765
2794
2854
2934
3073
3074
3080
3086
3103
3175
3181
3183
3202
3213
3215
3221
3224
3238
3244
3245
3246
3252
3255
3257
3258
3258
3261
3273
3274
3275
3276
3281
3282
3283
3284
3285
3286
3287

GC3	
4620	6241
4789	6242
4954	6243
5798	6244
5872	6245
5916	6247
6014	6248
6015	6249
6052	6250
6053	6251
6054	6252
6062	6253
6073	6254
6074	6255
6096	6256
6097	6257
6100	6258
6146	6259
6147	6260
6171	6261
6188	6264
6189	6265
6190	6266
6191	6267
6192	6269
6193	6270
6194	6271
6195	6272
6196	6273
6198	6274
6199	6275
6200	6277
6201	6278
6229	6288
6230	6289
6231	6294
6232	6317
6233	6324
6234	6337
6235	6338
6236	6339
6237	6340
6238	6341
6239	6344
6240	6345

FAN WATT USAGE

STOVE	AMPS	WATTS
Chat 30	0.55	61 W
Chat 42	0.69	76 W
Chat 43	0.69	76 W
Designer	0.49	54 W
DVS2	0.49	54 W
Epic	1	110 W
GC3	0.49	54 W
GS2	0.49	54 W
Medina	0.55	61 W
Pellet Freestanding	Combustion Fan .95	105 W
	Convection Fan 1.0	110 W
Pellet Insert	Combustion Fan .95	105 W
	Convection Fan 1.0	110 W
Ravenna	0.55	61 W
Teton	0.55	61 W
Vintage	0.55	61 W
Vision	0.55	61 W
Wood 700 - Freestanding	0.92	101 W
Wood UHB 1 Insert Lrg	0.43	47 W
Wood UHB 2 Insert Sm	0.55	61 W

** AMPS & WATT usage is measured at maximum draw*

MILLIVOLT REFERENCE SHEET

Thermopile / Thermocouple Systems

1. The thermocouple runs the pilot only, and is completely separate from the thermopile.
2. The thermocouple generally runs at about 10 to 13 MV.
3. The thermocouple will shut the pilot off at about 3 to 2 MV.
4. To test thermocouple MV, place one probe into the blue wire and the other to a ground.
5. The thermopile supplies MV to the valve to hold open the gas flow for the main burner only.
6. The pilot flame will generate about 500 to 700 MV in the thermopile.
7. When the main burner is turned *on*, the valve will draw around 300 MV to hold open.
8. With the main burner *off*, terminals 1 and 2 will give the number of MV the thermopile is generating.
9. With the main burner on terminals 1 and 2 will give you the number of MV left in the thermopile after the valve has drawn enough MV to hold the valve open.
10. With the main burner on, terminals 2 and 3 will give you the number of MV the valve is drawing from the thermopile.

Thermopile Only Systems

1. The thermopile supplies MV to hold the pilot open, and to hold the main gas flow through the valve open.
2. The pilot flame will generate about 500 to 600 MV in the thermopile.
3. The pilot will require a minimum of about 100 MV to hold open.
4. With the main burner *off*, terminals 1 and 2 will give you the number of MV the thermopile is generating.
5. With the main burner *on*, the valve is now drawing additional MV from the thermopile.
6. Terminals 2 and 3 will give you the number of MV the valve is drawing from the thermopile.
7. Terminals 1 and 2 will give you the number of MV left in the thermopile after the valve has drawn enough MV to hold the valve open.
8. The thermopile will need to supply a minimum of about 325 MV to run the complete system.

New pellet doors serial numbers

Stove Part Number 59105

6769
6770
6771
6772
6781
6782
6794
6795
6796
6797

7001
7005
7006
7007
7008
7009
7010
7011
7017
7018

6841
6842
6843
6844
6845
6847
6848
6853
6854

7019
7020
7021
7022
7023
7024
7025
7026
7027
7028
7029
7030
7031
7033
7034
7036
7038
7040
7041
7042
7043
7044
7045
7046
7047
7048
7049
7050

6914
6915
6916
6929
6930
6931
6932
6938
6939
6940
6941
6942
6943

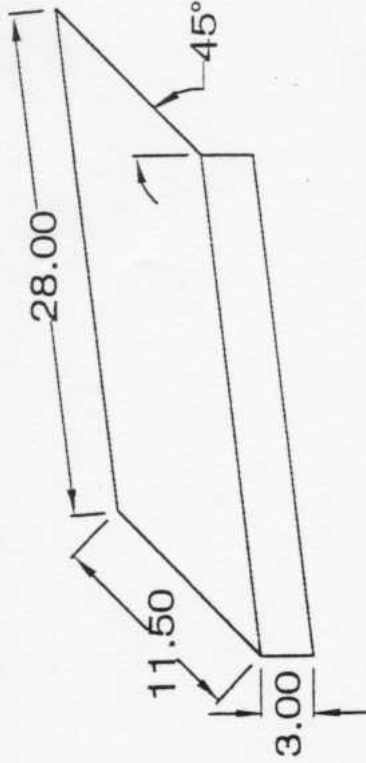
every SN after this one is new

M.S. 1.00
M.S. = MANTLE SHIELD
MINIMUM 22 GAUGE
SHEET METAL

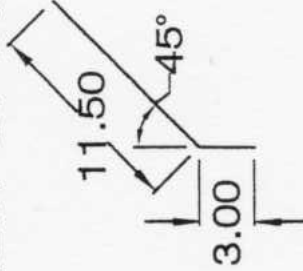
COUNTRY STOVES

S.S. 1.00
S.S. = SIDE SHIELD
MINIMUM 22 GAUGE
SHEET METAL

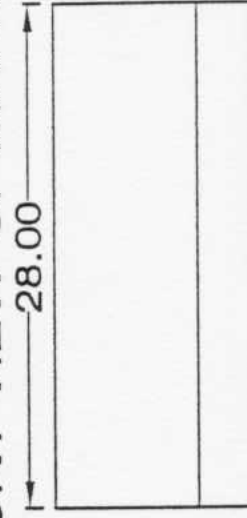
3 DIMENSIONAL VIEW OF MANTLE SHIELD



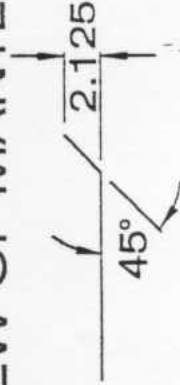
SIDE VIEW OF MANTLE SHIELD



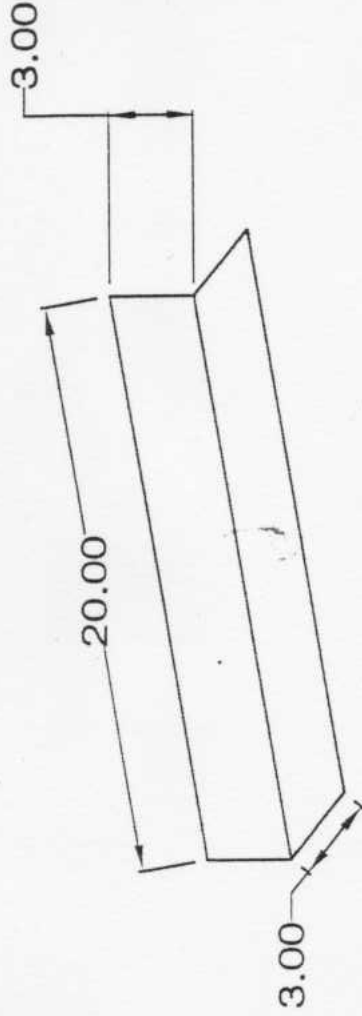
FRONT VIEW OF MANTLE SHIELD



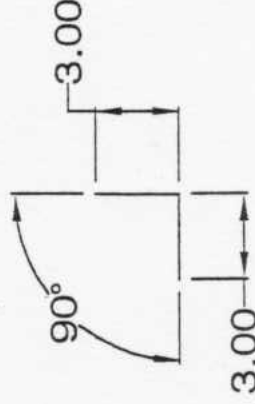
SIDE VIEW OF MANTLE SHIELD



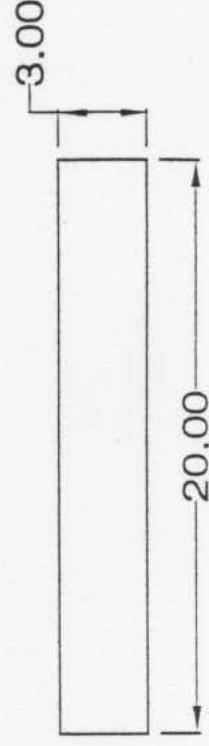
3 DIMENSIONAL VIEW OF SIDE SHIELD



SIDE VIEW OF SIDE SHIELD

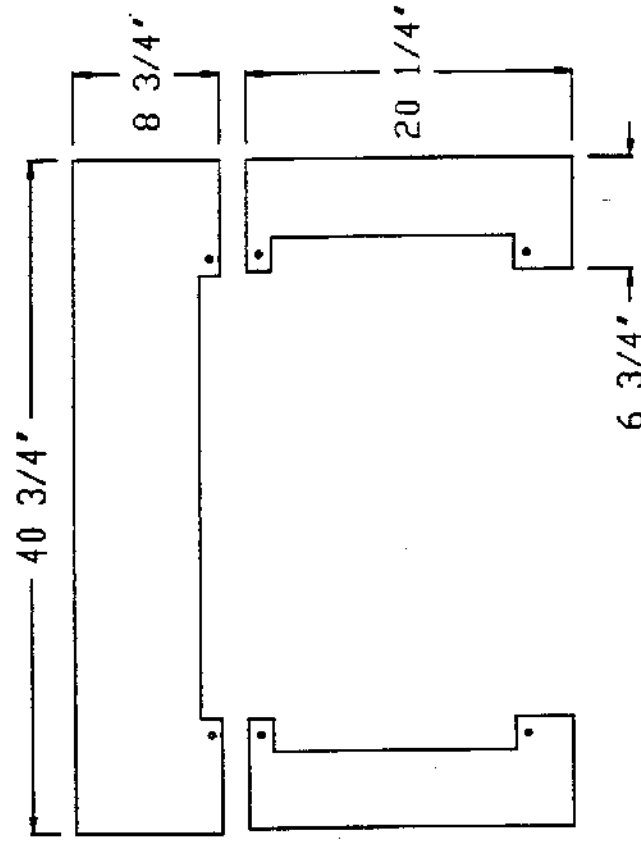


FRONT VIEW OF SIDE SHIELD

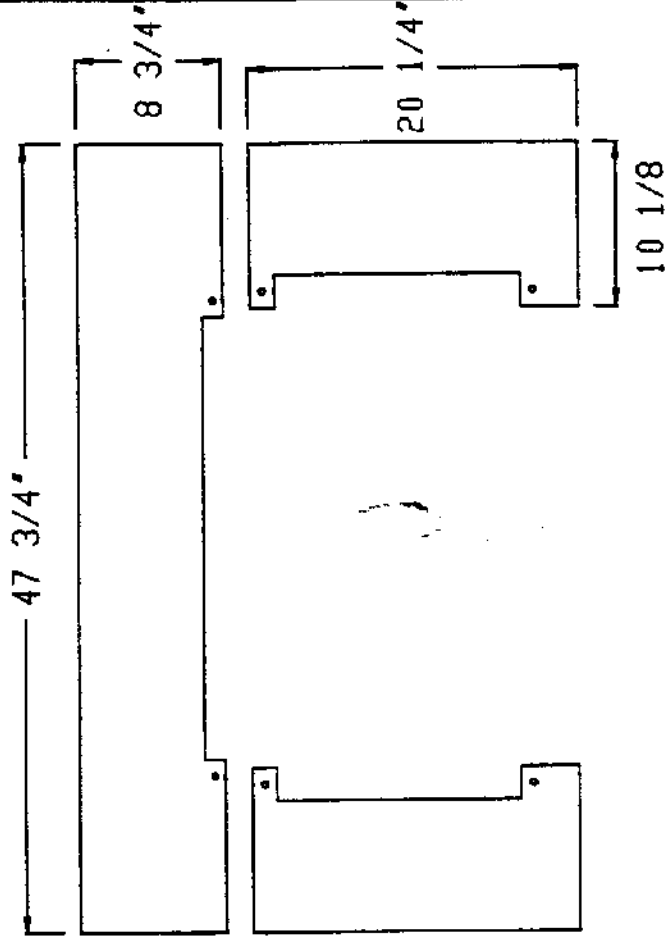


GC FLANGL SIZES

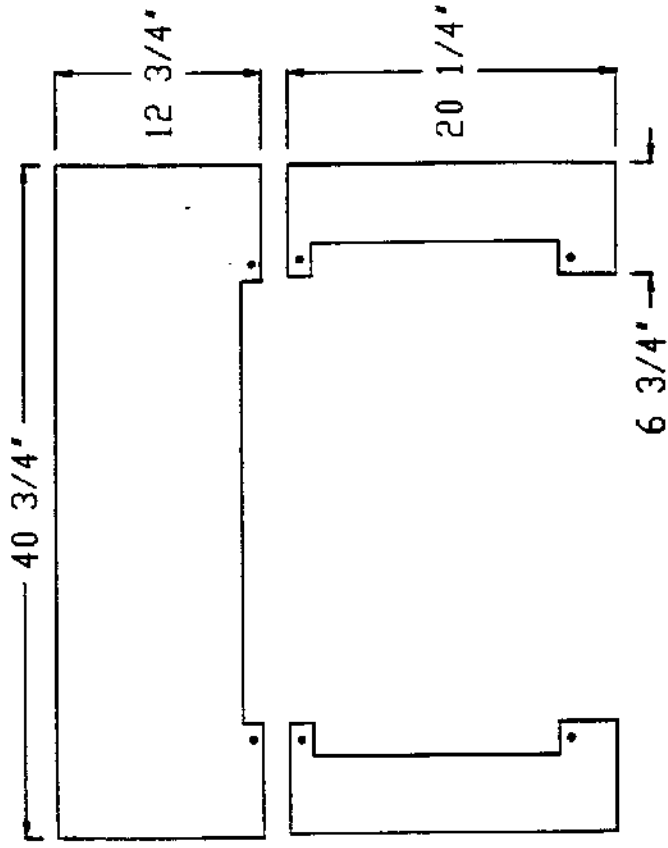
29 X 41



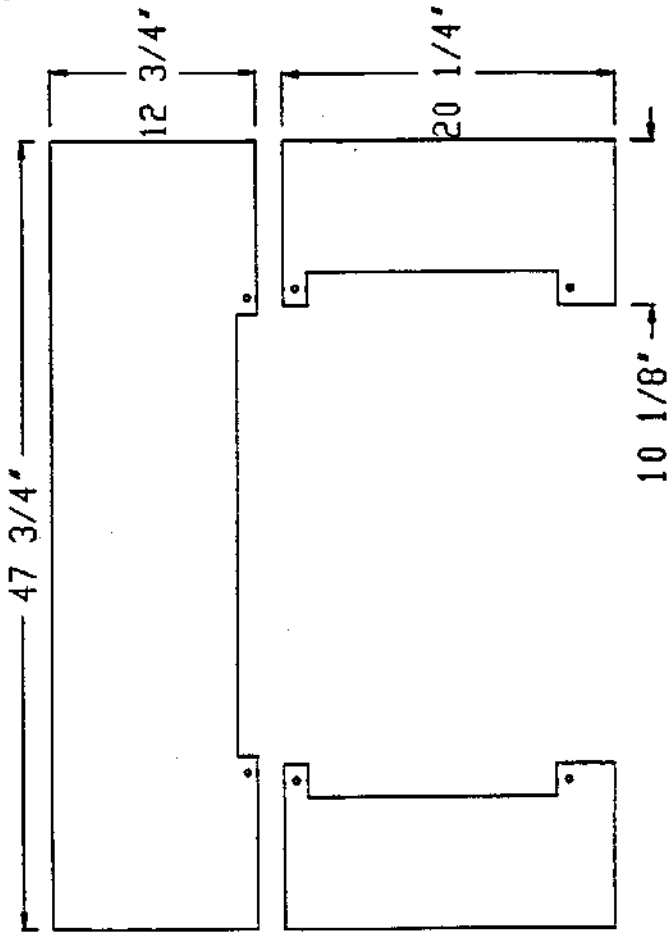
29 X 48



33 X 41

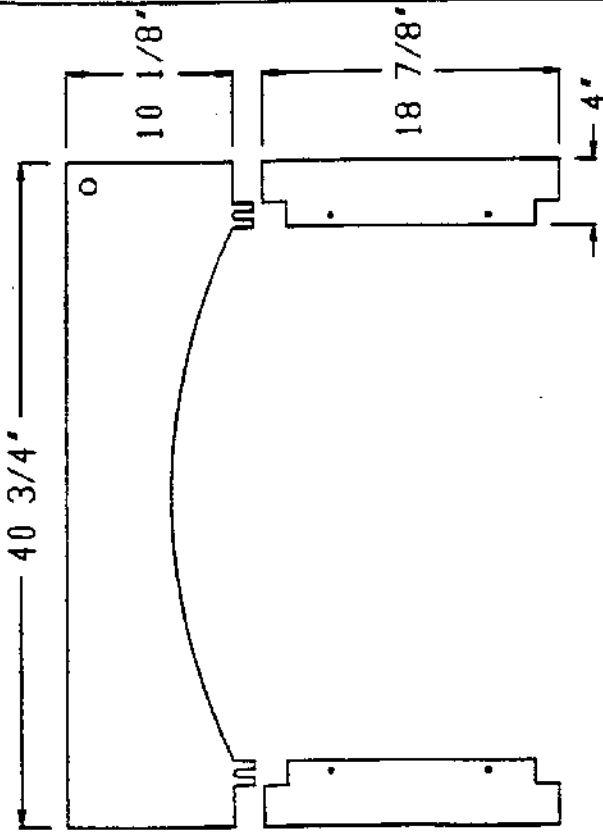


33 X 48

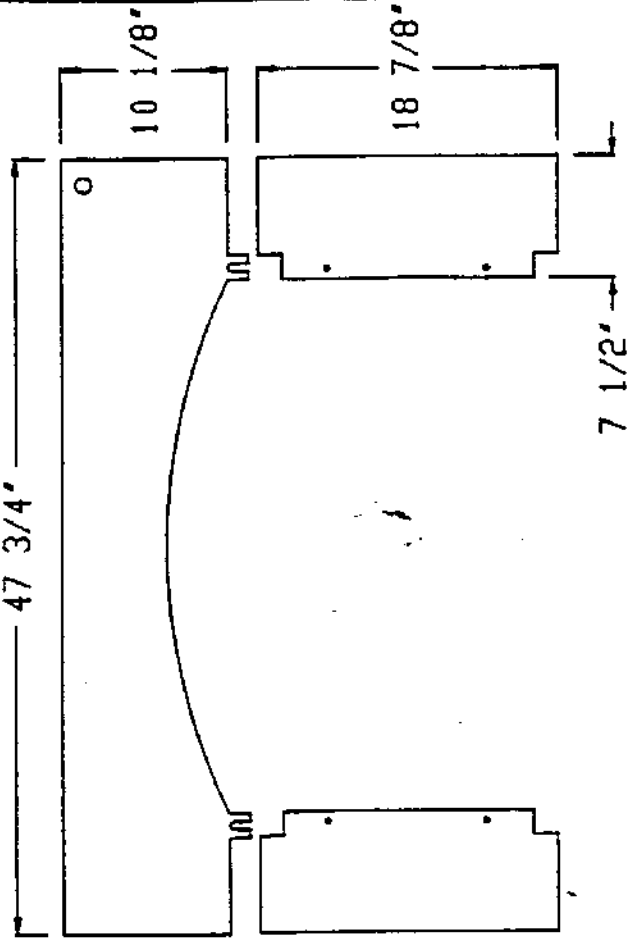


GFC FLANGE SIZES

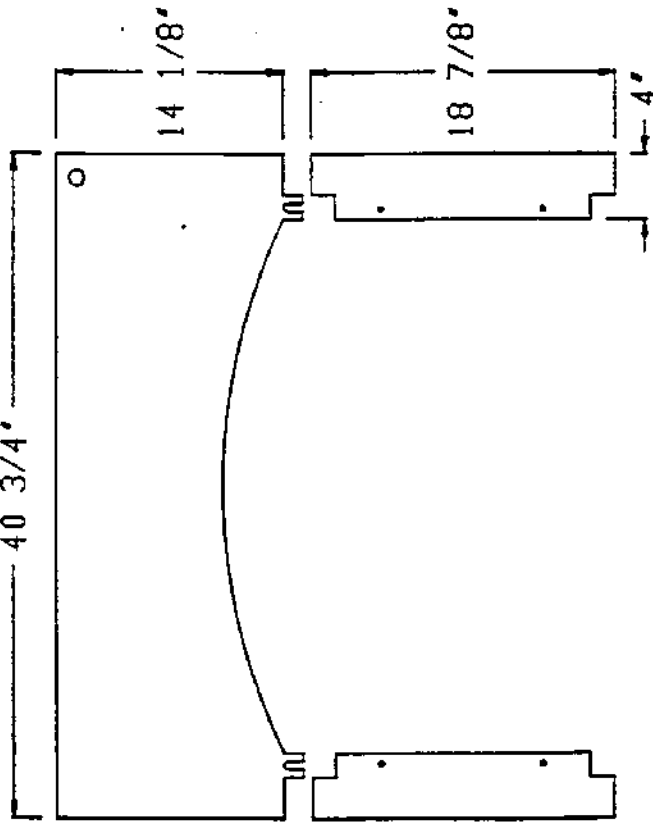
29 X 41



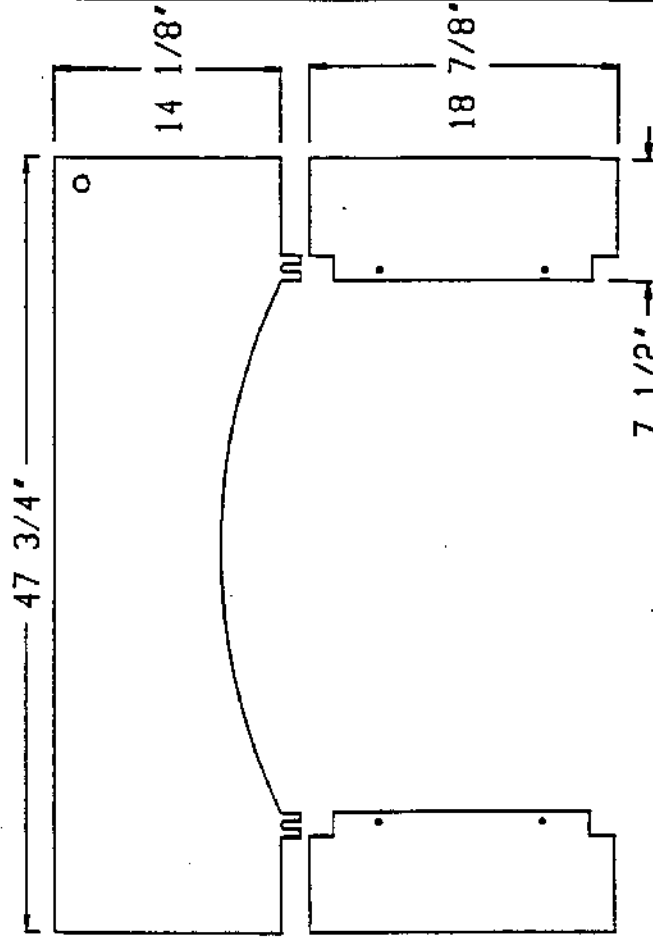
29 X 48



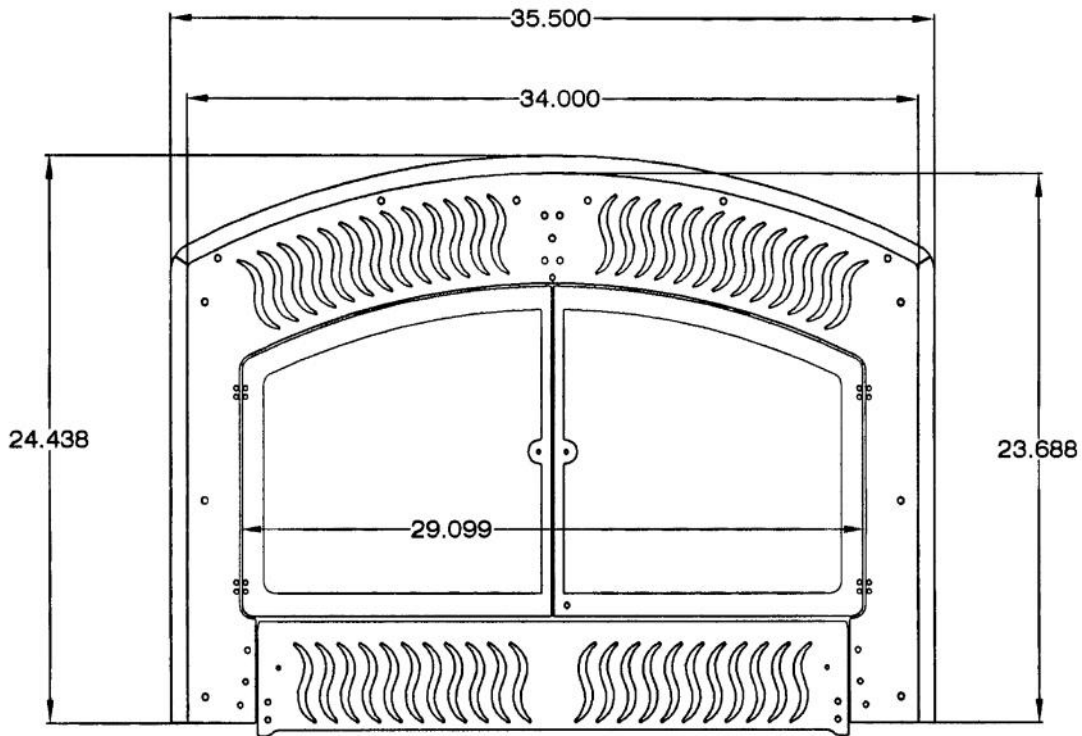
33 X 41



33 X 48



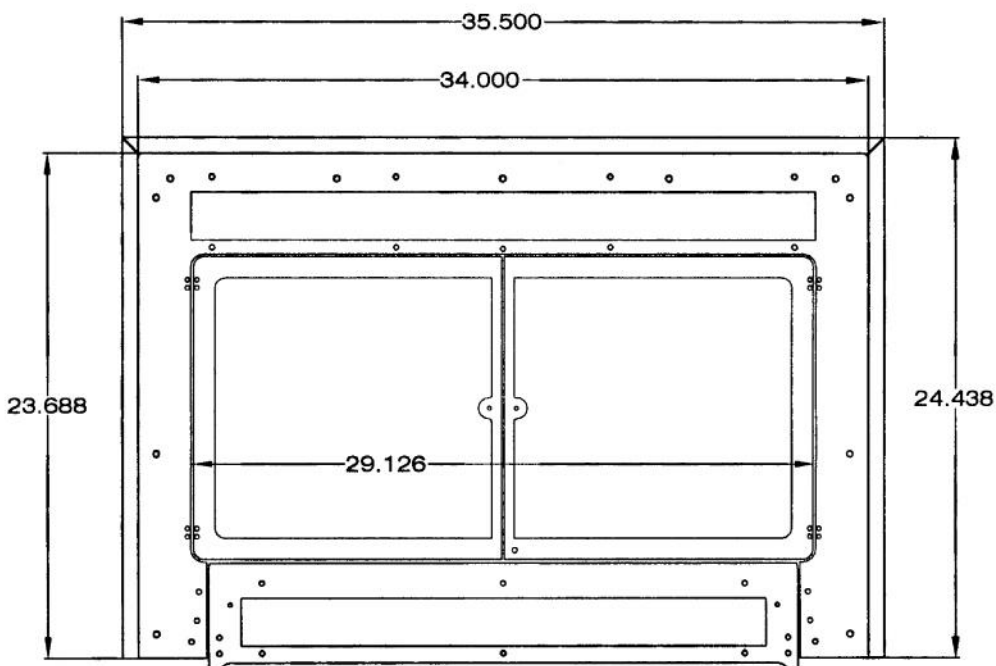
#3976



DRAWN BY: LRS
MATERIAL: 12 GA HR/CR

COUNTRY STOVES, INC.	PART NAME: ARCH FACE DBL. DOOR W/ TRIM	RAM SPEED: NTS	DRAWING #: 3976
	CHATEAU 30 F.P.	REV: 1	DATE: 1-31-02 LAST UPDATE: 1-31-02

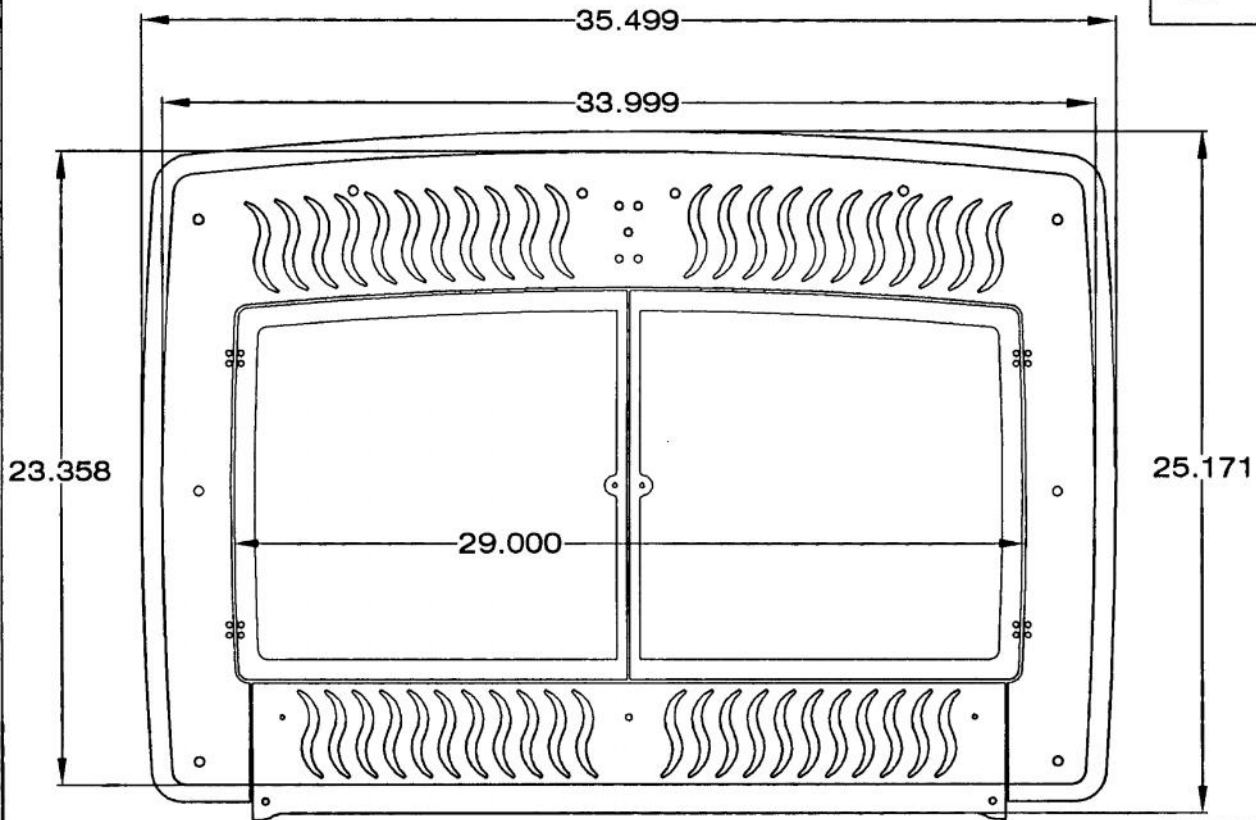
#3981



DRAWN BY: LRS
MATERIAL: 12 GA HR/CR

COUNTRY STOVES, INC.	PART NAME:	LOUVER DOUBLE DOOR W/ TRIM	RAM SPEED:	NTS	DRAWING #:	3981	
		CHATEAU 30 F.P.	REV:	1	DATE:	1-31-02	LAST UPDATE

#3982

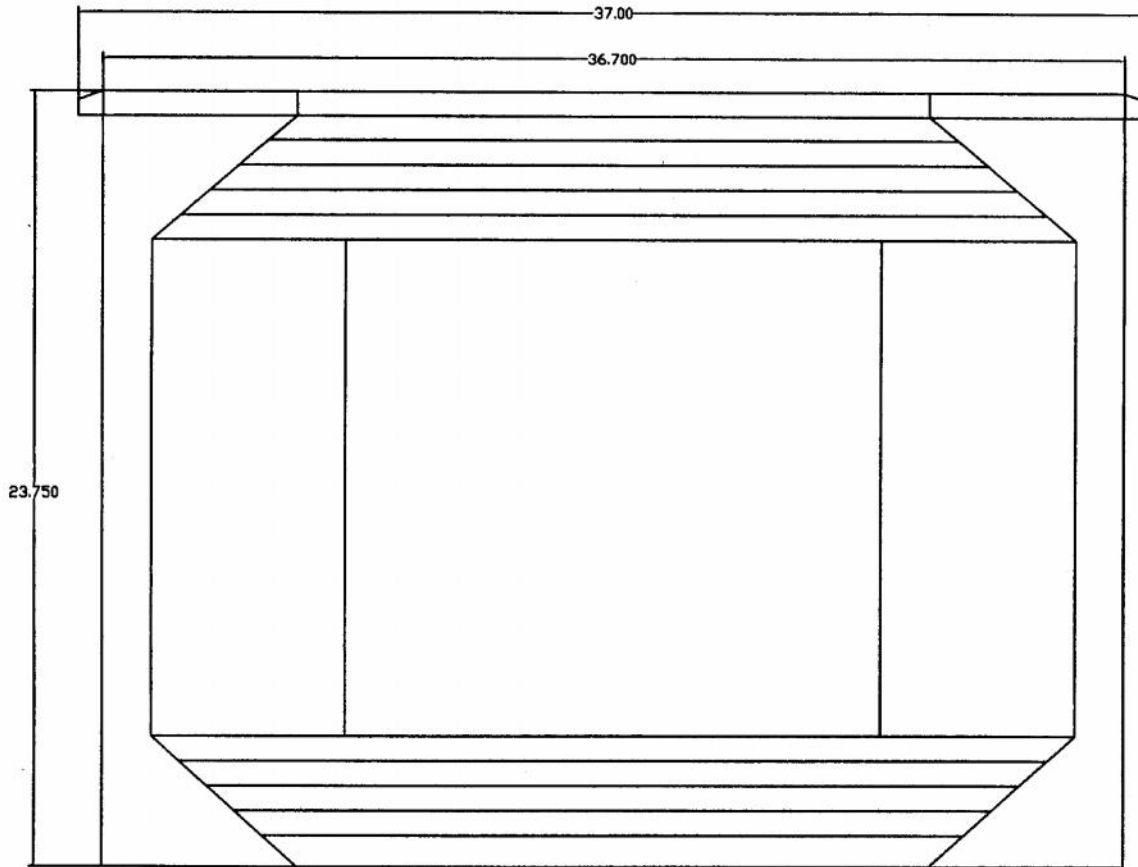


DRAWN BY: LRS
MATERIAL: 12 GA HR/CR

COUNTRY STOVES, INC.	PART NAME: CINEMA FRONT W/ DIMENSIONS	RAM SPEED: NTS	DRAWING #: 3982
	CHATEAU 30 F.P.	REV: 1	DATE: 1-31-02 LAST UPDATE 1-31-02

NOTE: VIEW OF FORMED PART

#2500



DRAWN BY: BML

MATERIAL: 10 GA CR

COUNTRY STOVES,
INC.

PART NAME: BAY FACE

CHATEAU 30 F.P.

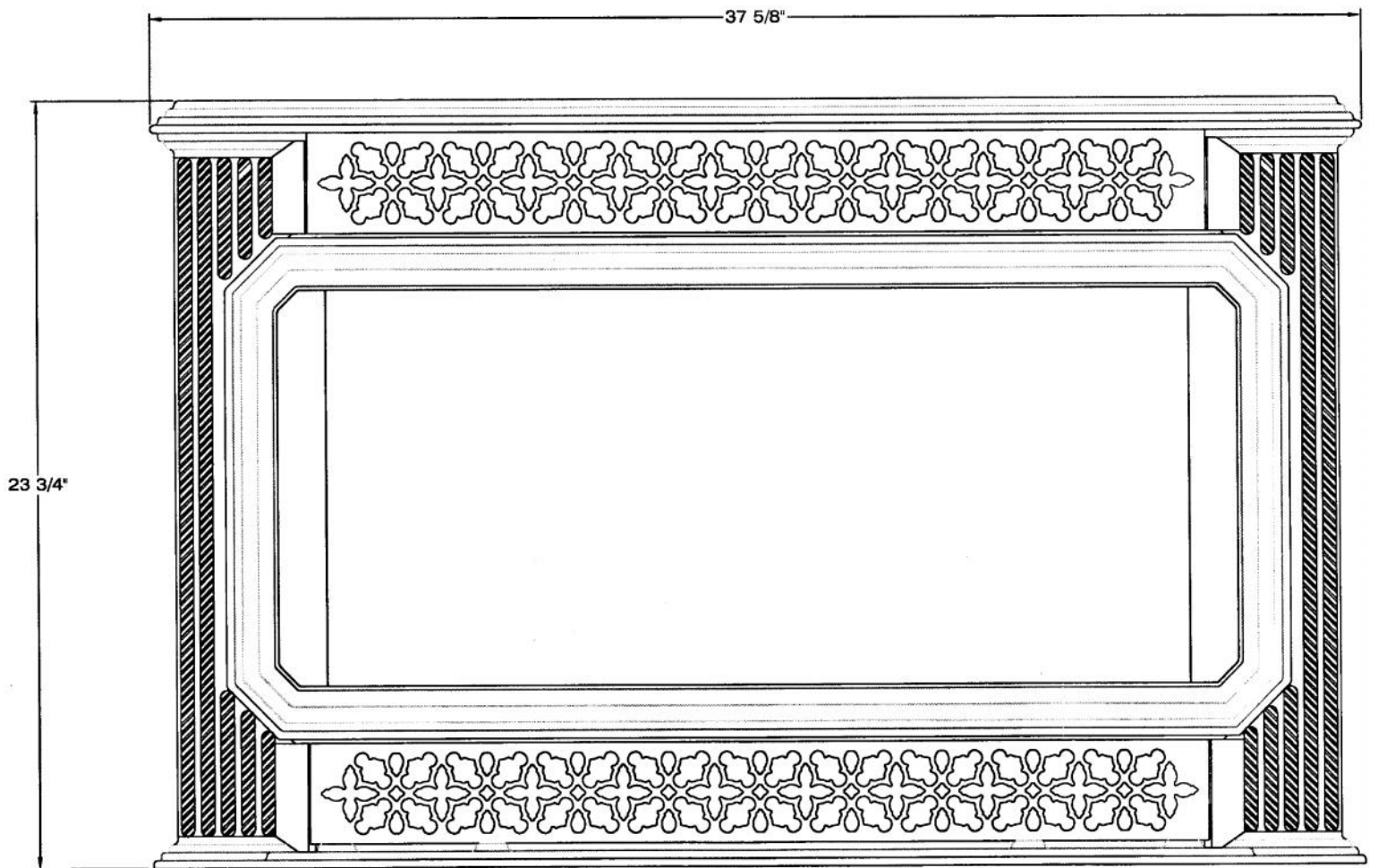
RAM SPEED:
NTS

DRAWING #: 2500

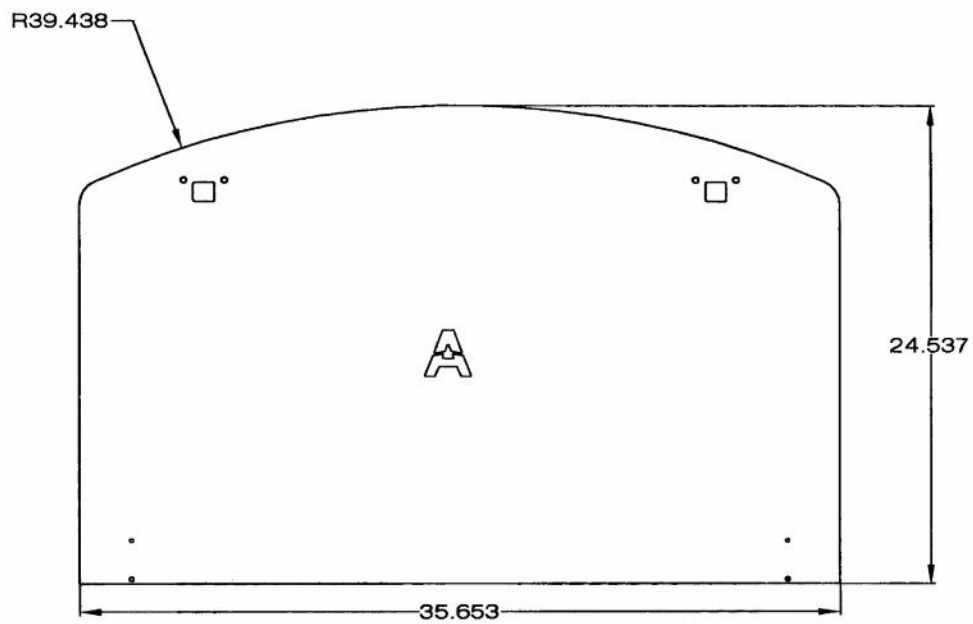
REV: 1

DATE: 2-1-02

LAST UPDATE 2-1-02



#3975



DRAWN BY: LRS

MATERIAL: 12 GA HR/CR

COUNTRY STOVES,
INC.

PART NAME: ARCH FACE TEMPLATE

RAM SPEED:
NTS

DRAWING #: 3975

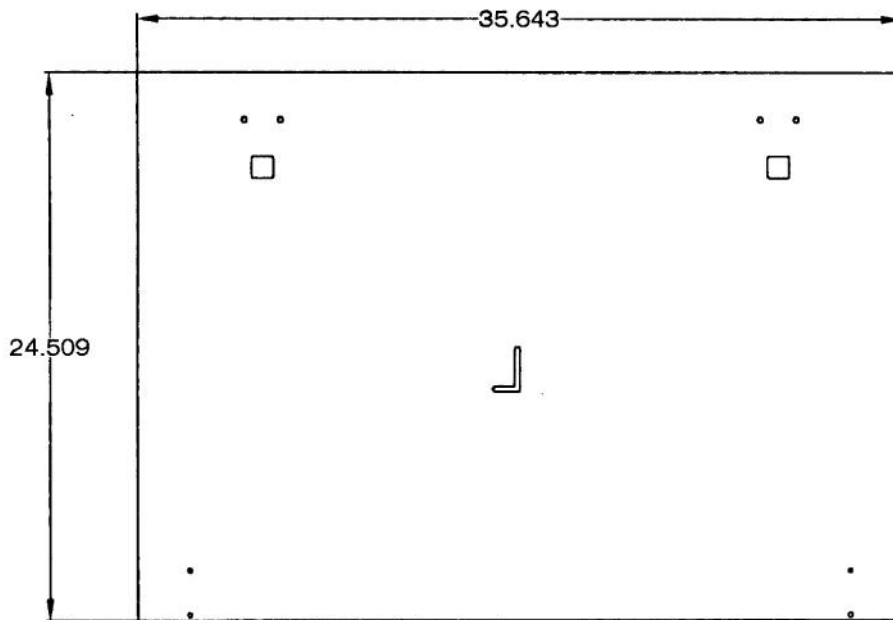
CHATEAU 30 F.P.

REV: 1

DATE: 5-7-00

LAST UPDATE 5-7-2000

#3981



DRAWN BY: LRS

MATERIAL: 12 GA HR/CR

COUNTRY STOVES,
INC.

PART NAME: LOUVER TEMPLATE

RAM SPEED: NTS

DRAWING #: 3981

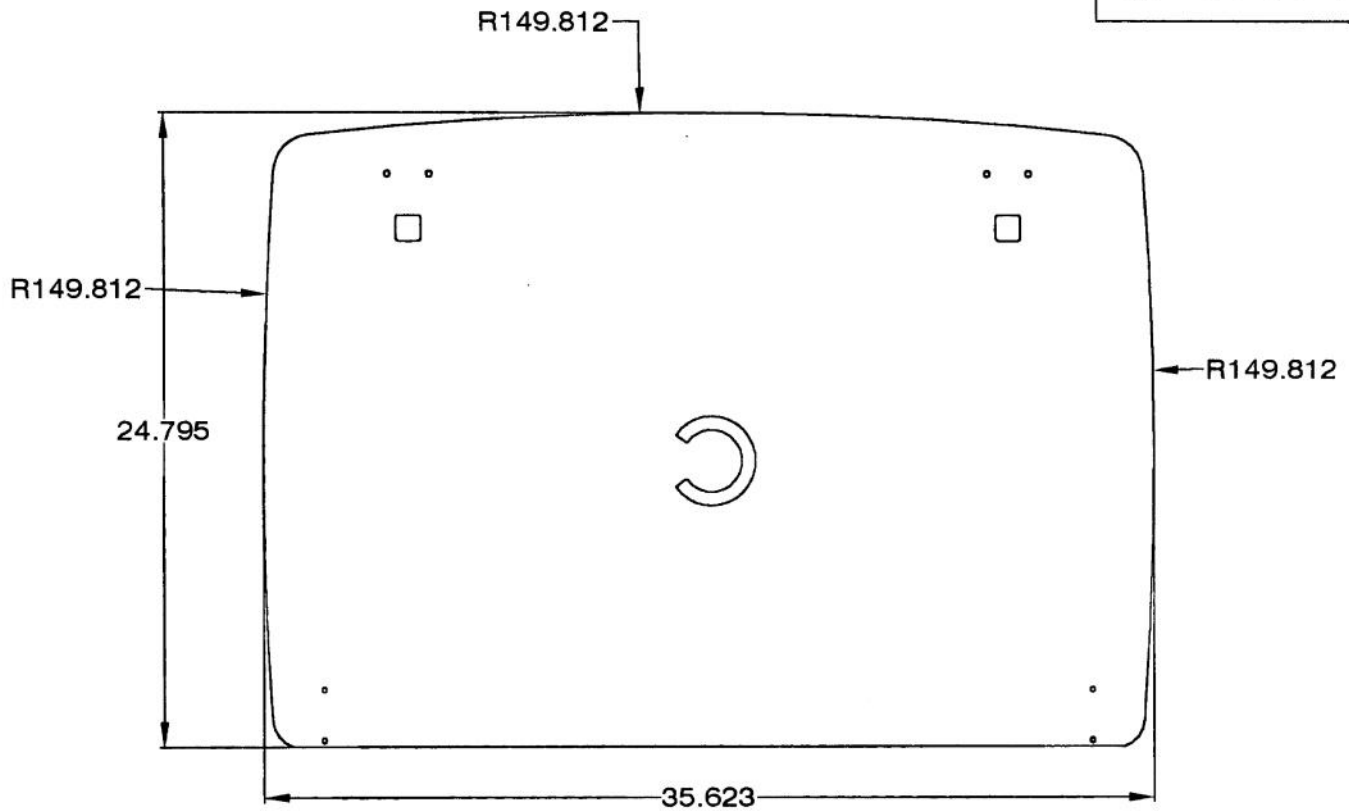
CHATEAU 30 F.P.

REV: 1

DATE: 5-7-00

LAST UPDATE 5-7-2000

#3983



DRAWN BY: LRS

MATERIAL: 12 GA HR/CR

COUNTRY STOVES,
INC.

PART NAME: CINEMA TEMPLATE

RAM SPEED:
NTS

DRAWING #: 3983

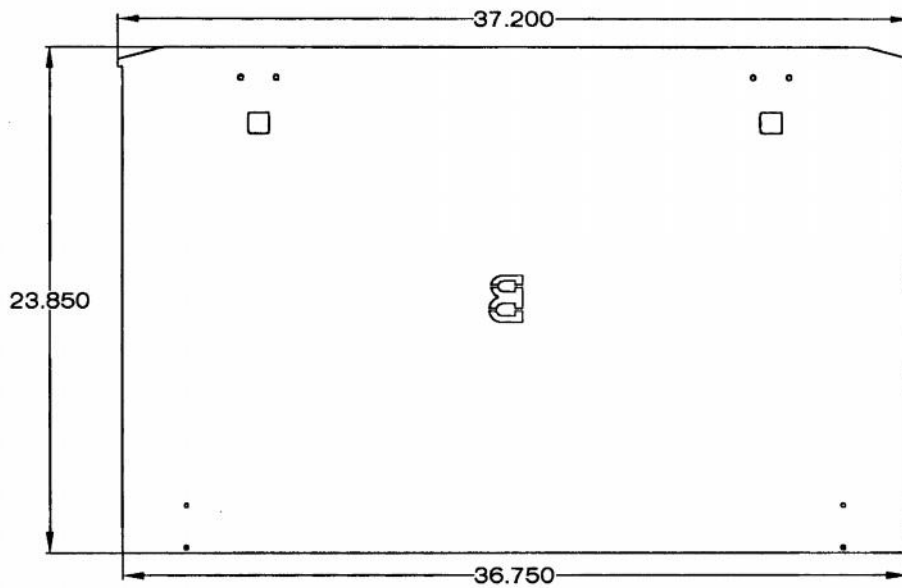
CHATEAU 30 F.P.

REV: 1

DATE: 5-7-00

LAST UPDATE: 5-7-2000

#3968



DRAWN BY: LRS

MATERIAL: 12 GA HR/CR

COUNTRY STOVES,
INC.

PART NAME: BAY FACE TEMPLATE

RAM SPEED:
NTS

DRAWING #: 3975

CHATEAU 30 F.P.

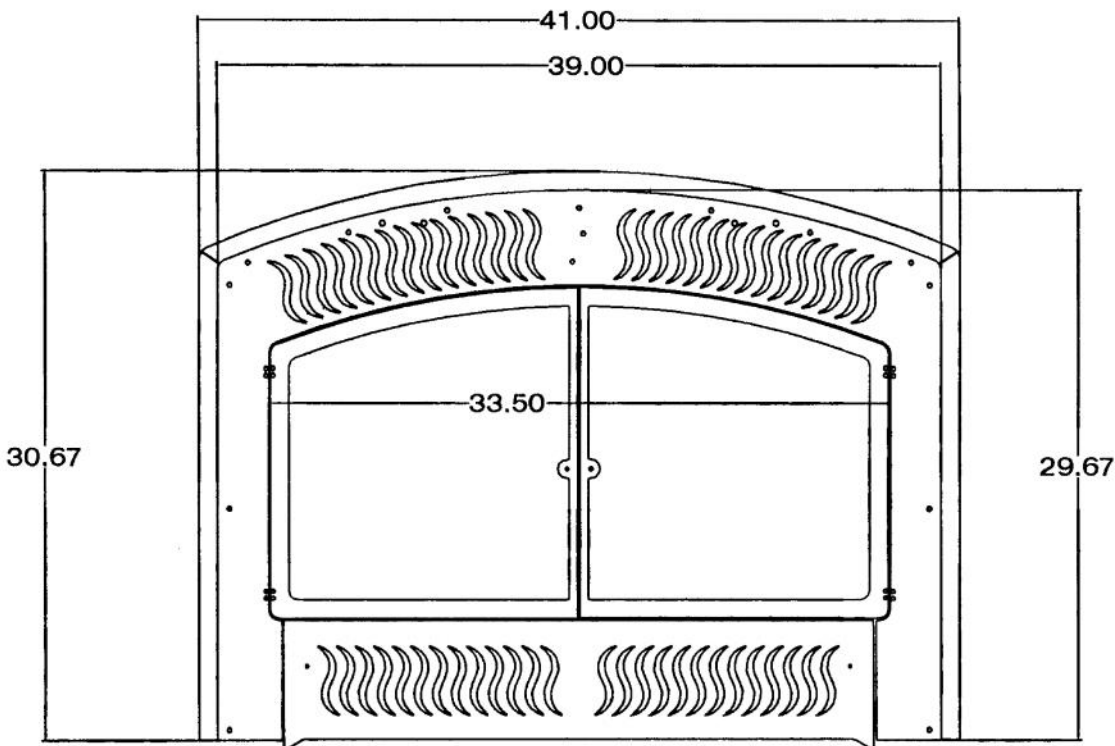
REV: 1

DATE: 5-7-00

LAST UPDATE 5-7-2000

NOTE: VIEW OF FORMED PART

#2500



DRAWN BY: BML

MATERIAL: 12 GA CR

COUNTRY STOVES,
INC.

PART NAME:
COMPLETE FACE W/ DIMENSIONS

RAM SPEED:
NTS

DRAWING #:
2500

CHATEAU 43 F.P.

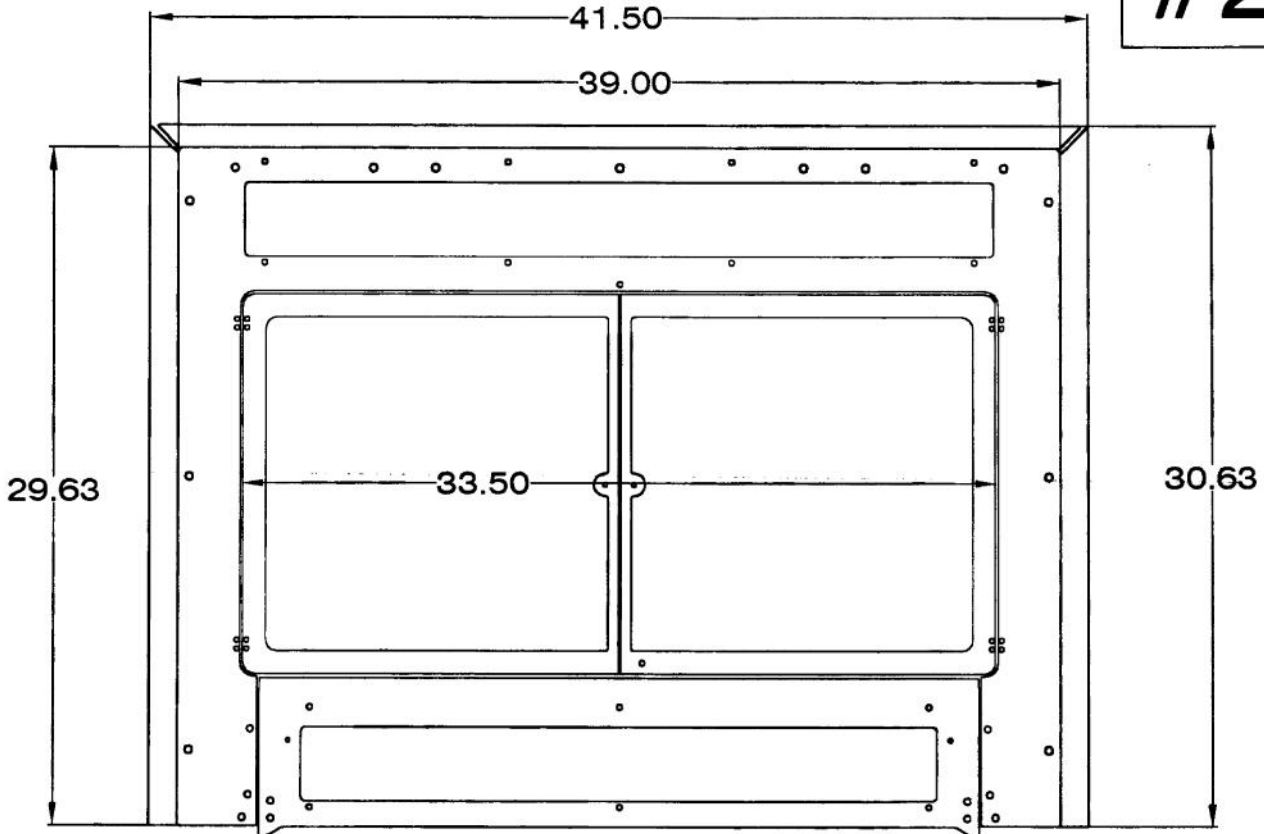
REV:
1

DATE:
5-16-00

LAST UPDATE
5-16-2000

NOTE: VIEW OF FORMED PART

#2369



DRAWN BY: BML

MATERIAL: 12 GA CR

COUNTRY STOVES,
INC.

PART NAME:

LOUVER FACE W/ TRIM

RAM SPEED:

NTS

DRAWING #:

2369

CHATEAU 43 F.P.

REV: 1

DATE:

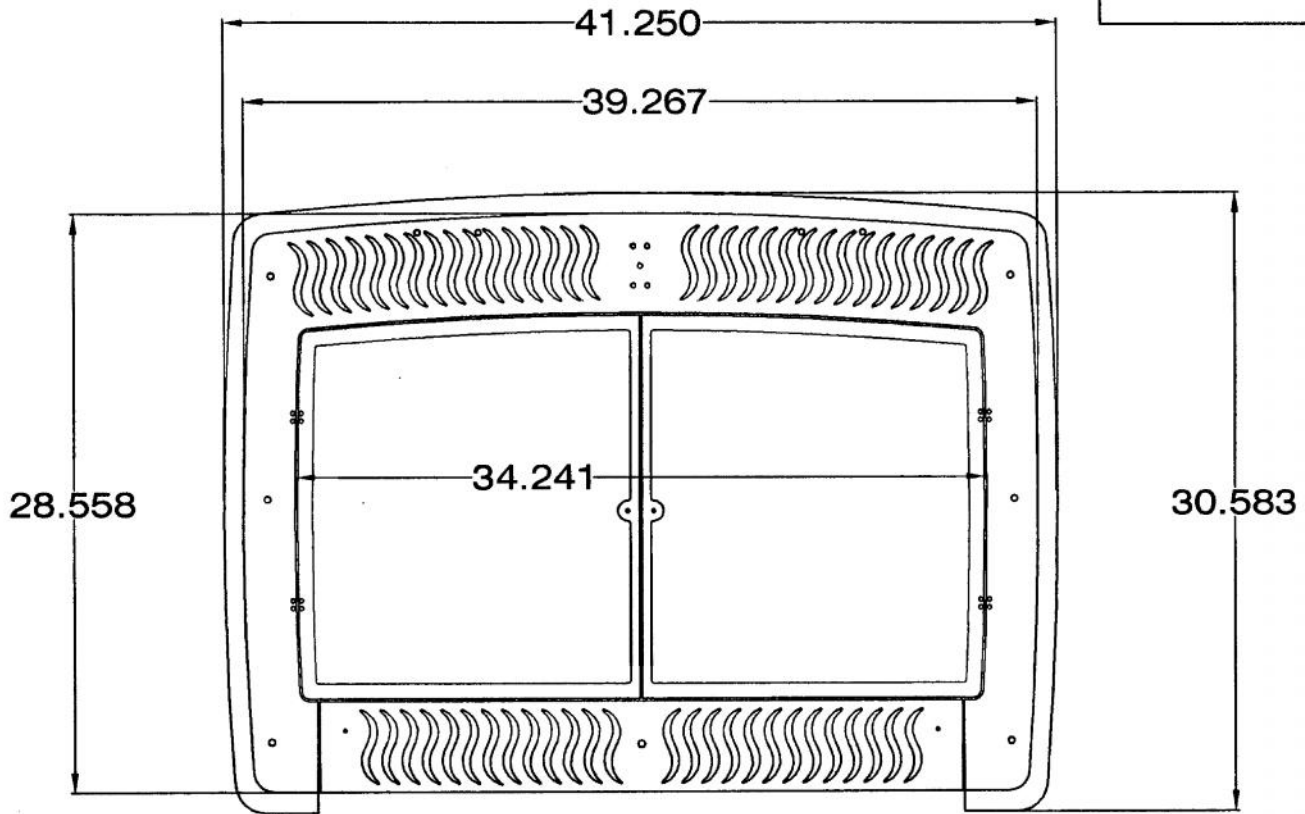
1-31-02

LAST UPDATE

1-31-02

NOTE: VIEW OF FORMED PART

#2383



DRAWN BY: BML

MATERIAL: 14 GA HR

COUNTRY STOVES,
INC.

PART NAME: CINEMA FACE W/ BACK
CHATEAU 43 F.P.

RAM SPEED:
NTS

DRAWING #: 2383

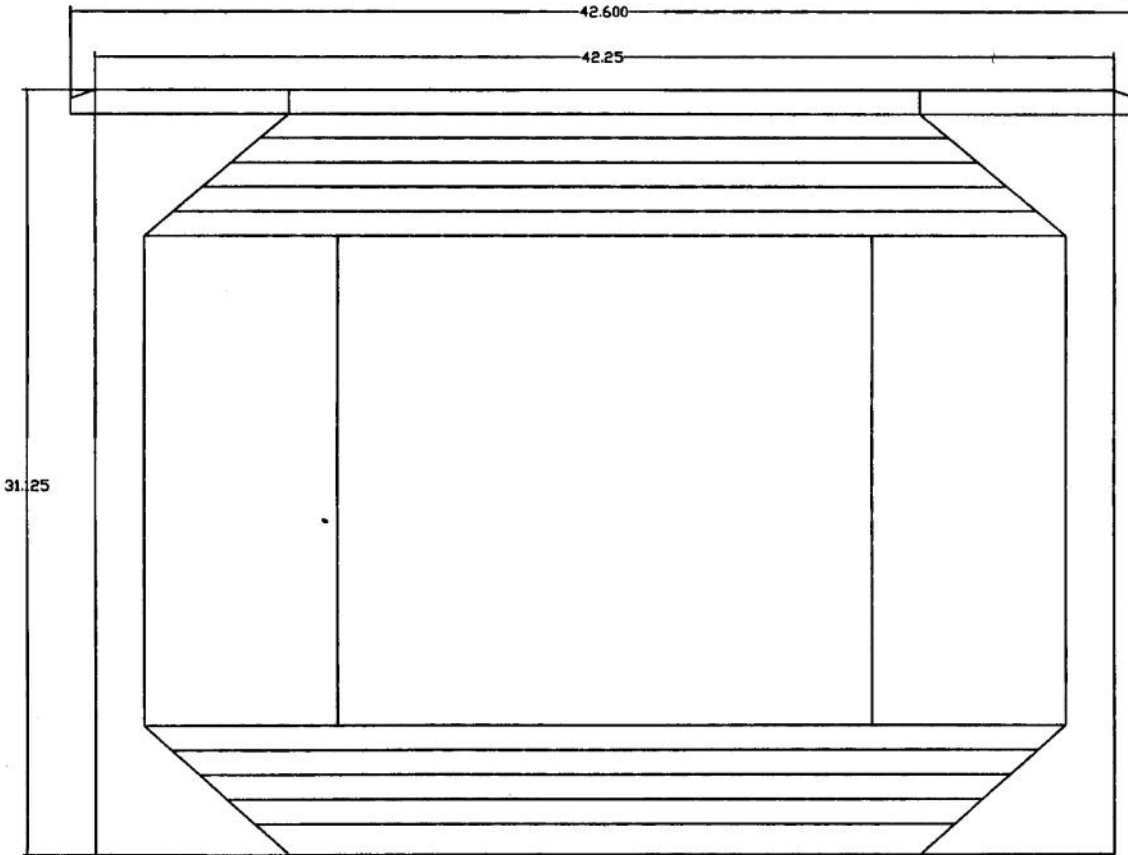
REV: 1

DATE: 1-31-02

LAST UPDATE: 1-31-02

NOTE: VIEW OF FORMED PART

#2500



DRAWN BY: BML

MATERIAL: 10 GA CR

COUNTRY STOVES,
INC.

PART NAME: BAY FACE

CHATEAU 43 F.P.

RAM SPEED:
NTS

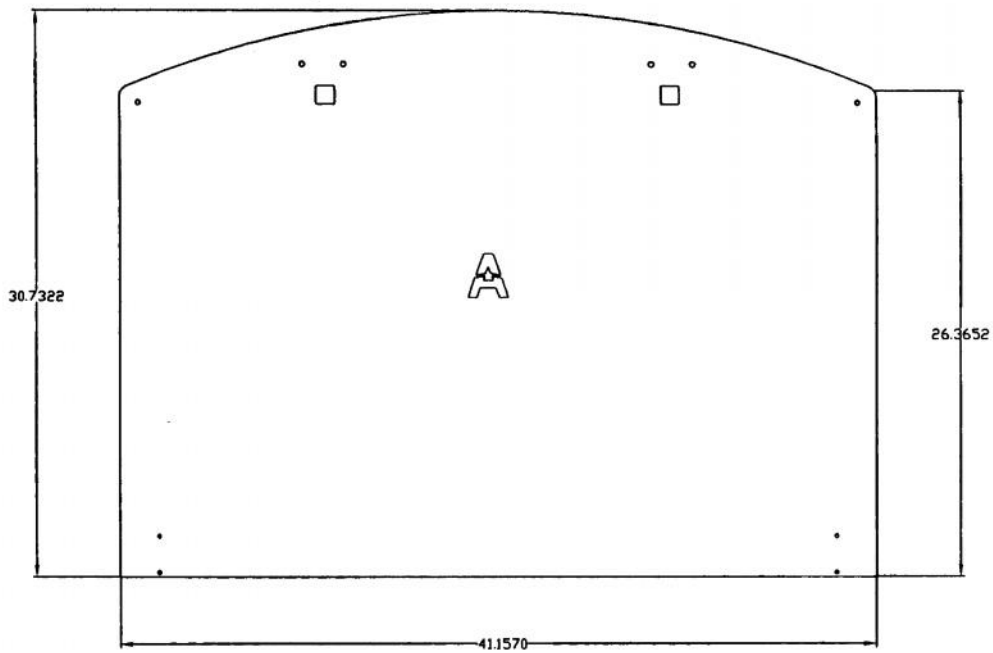
REV: 1

DATE: 2-1-02

DRAWING #: 2500

LAST UPDATE 2-1-02

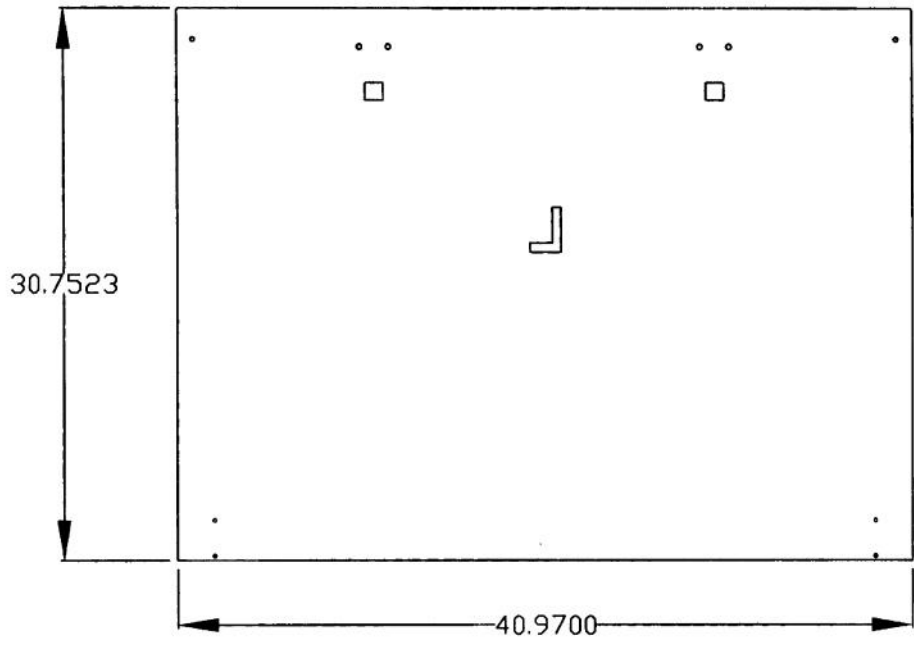
#2500



DRAWN BY: BML
MATERIAL: 12 GA CR

COUNTRY STOVES, INC.	PART NAME: ARCH FACE TEMPLATE	RAM SPEED: NTS	DRAWING #: 2500
	CHATEAU 43 F.P.	REV: 1	DATE: 1-31-02 LAST UPDATE: 1-31-02

#2500

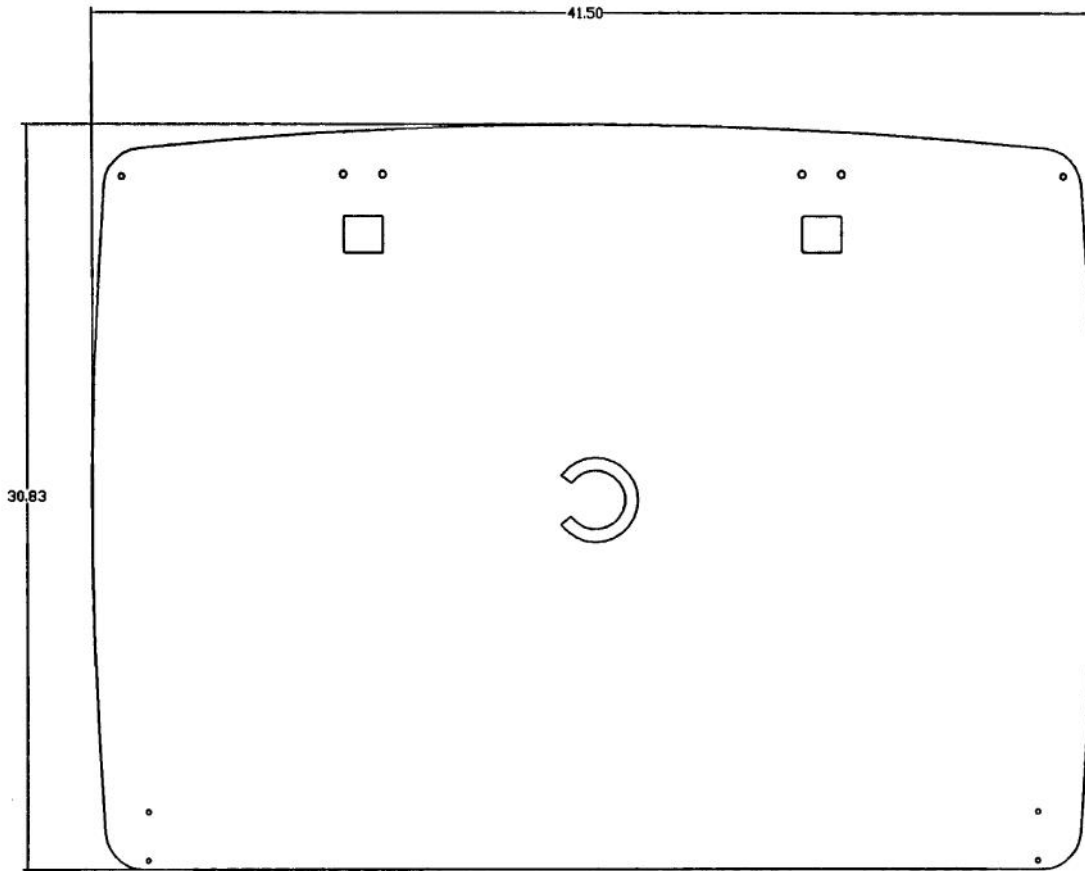


DRAWN BY: BML
MATERIAL: 12 GA CR

COUNTRY STOVES, INC.	PART NAME: LOUVER FACE TEMPLATE	RAM SPEED: NTS	DRAWING #: 2500
	CHATEAU 43 F.P.	REV: 1	DATE: 1-31-02 LAST UPDATE: 1-31-02

NOTE: VIEW OF FORMED PART

#2500



DRAWN BY: BML

MATERIAL: 10 GA CR

COUNTRY STOVES,
INC.

PART NAME: CINEMA FACE TEMPLATE

RAM SPEED:
NTS

DRAWING #: 2500

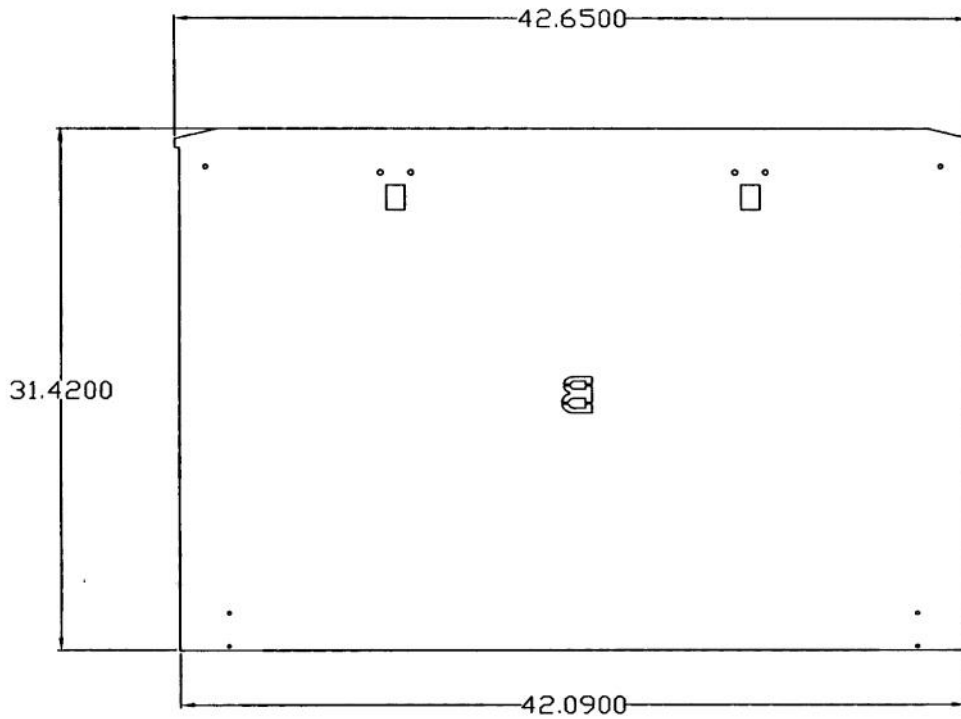
CHATEAU 43 F.P.

REV: 1

DATE: 2-1-02

LAST UPDATE 2-1-02

#2500



DRAWN BY: BML
MATERIAL: 12 GA CR

COUNTRY STOVES,
INC.

PART NAME:
BAY FACE TEMPLATE

CHATEAU 43 F.P.

RAM SPEED:
NTS

REV: 1

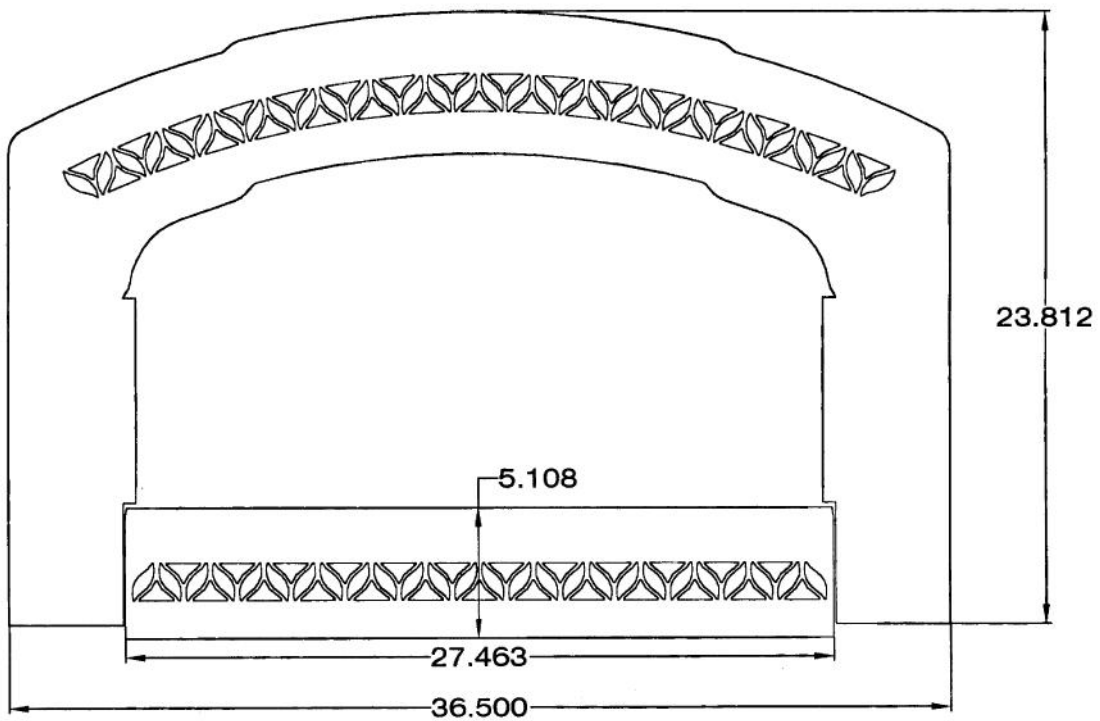
DATE: 1-31-02

DRAWING #: 2500

LAST UPDATE: 1-31-02

NOTE: VIEW OF FORMED PART

#2778



DRAWN BY: LRS

MATERIAL: 12 GA CR/HR

COUNTRY STOVES,
INC.

PART NAME: ARCH NO DOUBLE DOOR

RAM SPEED: NTS

DRAWING #: 2778

FIRESTAR FLUSH INSERT

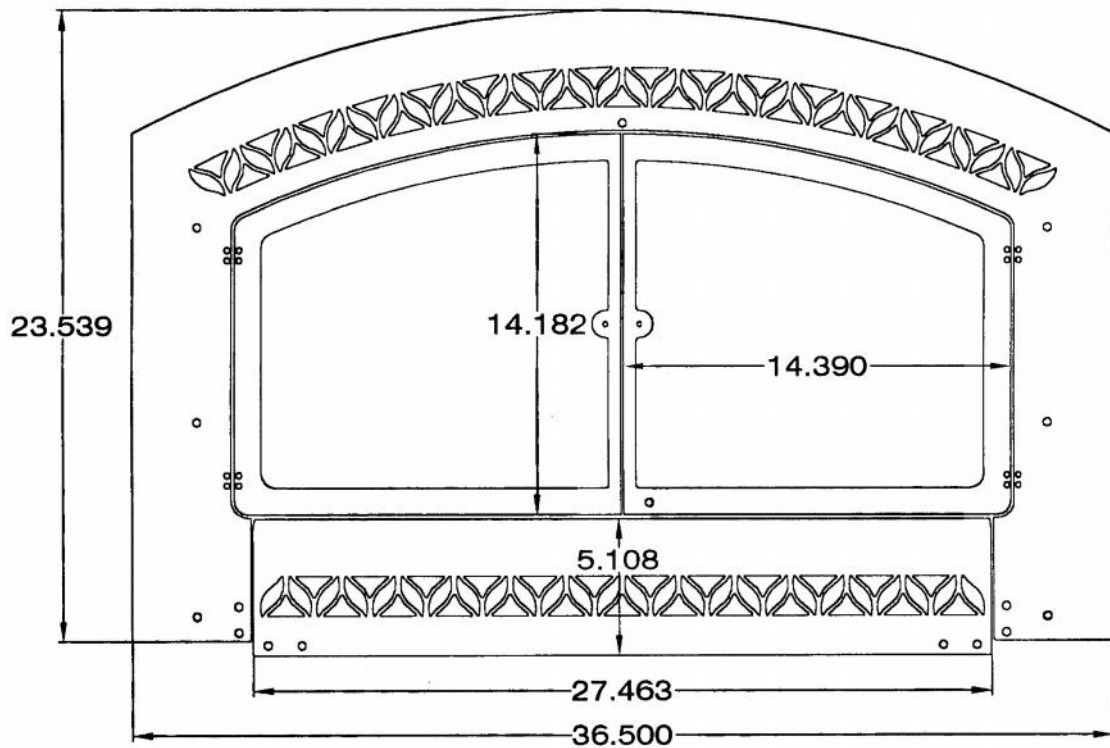
REV: 1

DATE: 5-2-00

LAST UPDATE 5-2-2000

NOTE: VIEW OF FORMED PART

#2778



DRAWN BY: LRS

MATERIAL: 12 GA CR/HR

COUNTRY STOVES,
INC.

PART NAME: ARCH DOUBLE DOOR
FIRESTAR FLUSH INSERT

REV: 1

RAM SPEED:
NTS

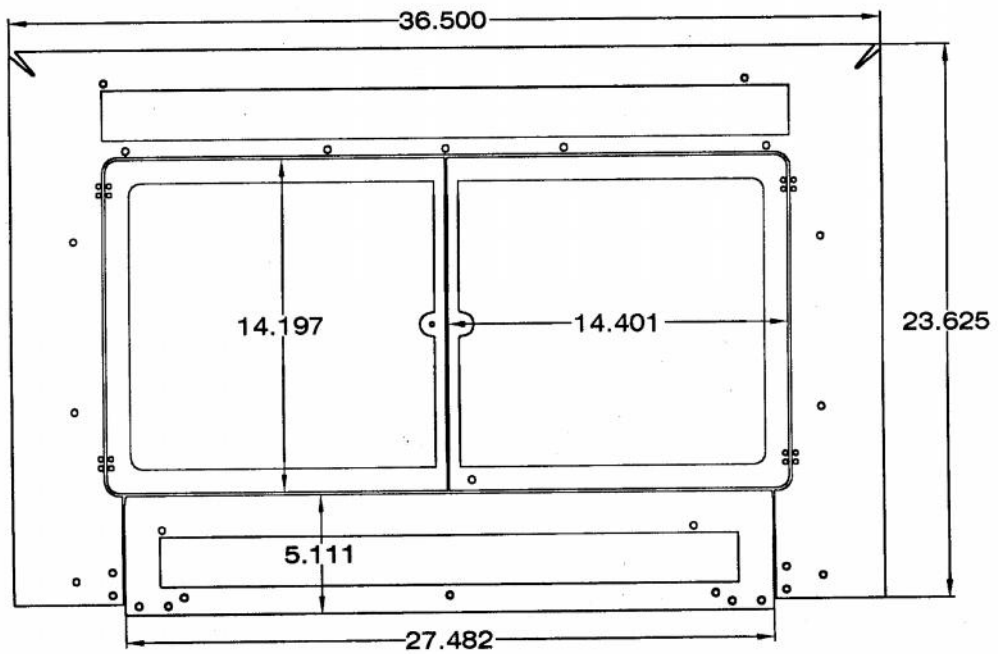
DATE: 5-2-00

DRAWING #: 2778

LAST UPDATE 5-2-2000

NOTE: VIEW OF FORMED PART

#2727

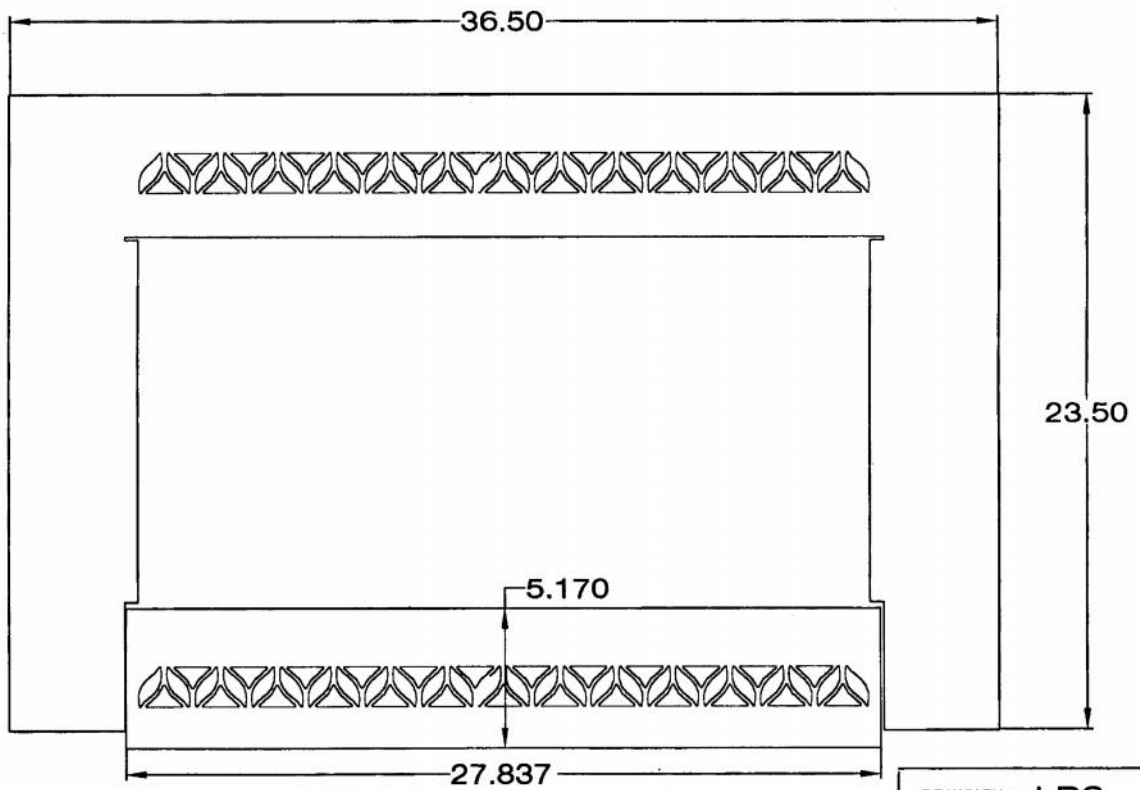


DRAWN BY: LRS
MATERIAL: 12 GA CR/HR

COUNTRY STOVES, INC.	PART NAME:	FLUSH LOUVER FACE	RAM SPEED:	NTS	DRAWING #:	2727
		FIRESTAR FLUSH INSERT	REV: 1	DATE: 5-2-00	LAST UPDATE	5-2-2000

NOTE: VIEW OF FORMED PART

#2776



DRAWN BY: LRS

MATERIAL: 12 GA CR/HR

COUNTRY STOVES,
INC.

PART NAME: TRADITIONAL FACE

RAM SPEED:
NTS

DRAWING #: 2776

FIRESTAR FLUSH INSERT

REV: 1

DATE: 5-2-00

LAST UPDATE 5-2-2000

