



selectcollection

S O A P S T O N E



Clydesdale

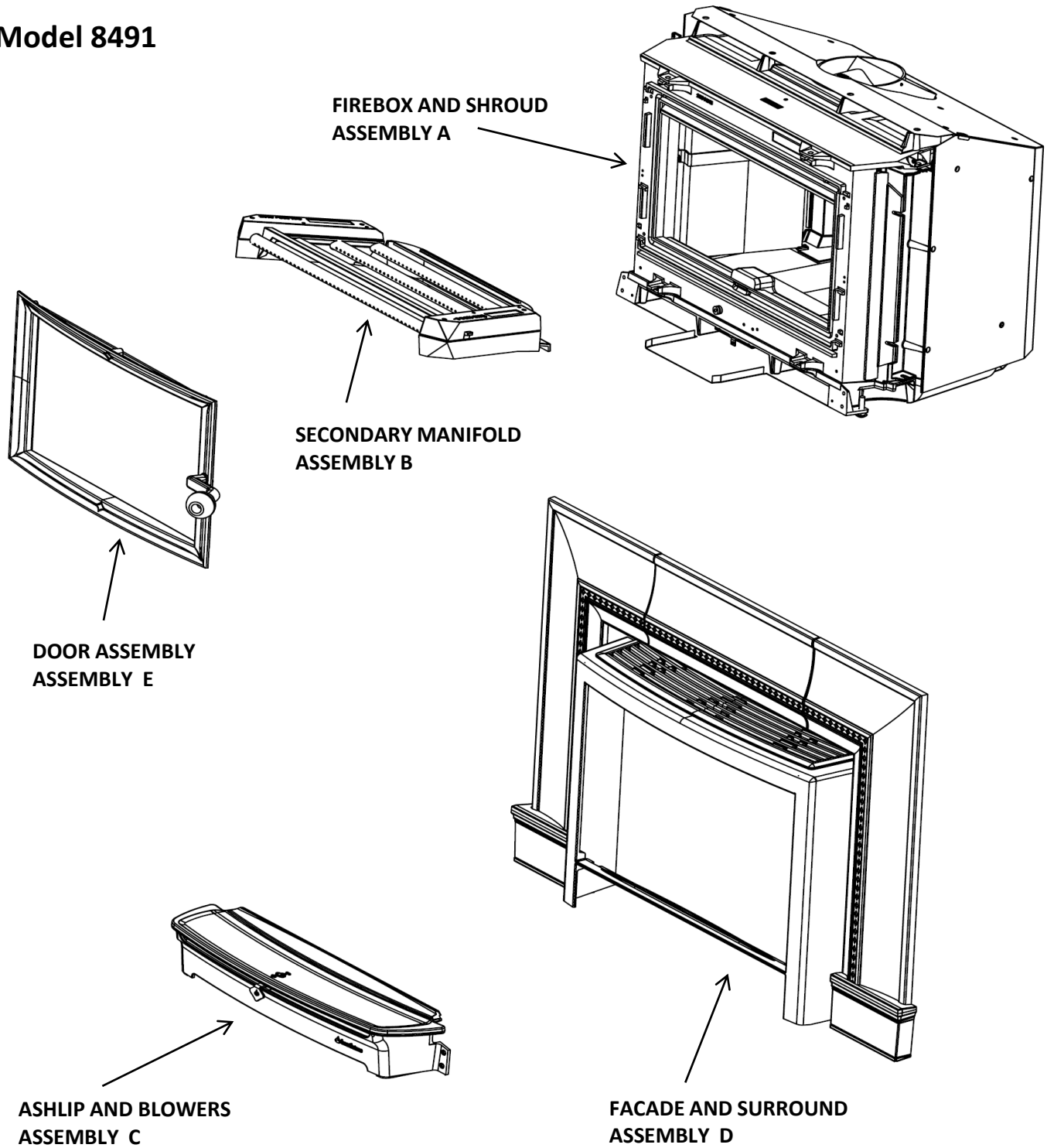
Model 8491

Non-Catalytic, Wood Burning
Fireplace Insert

Illustrated Parts List

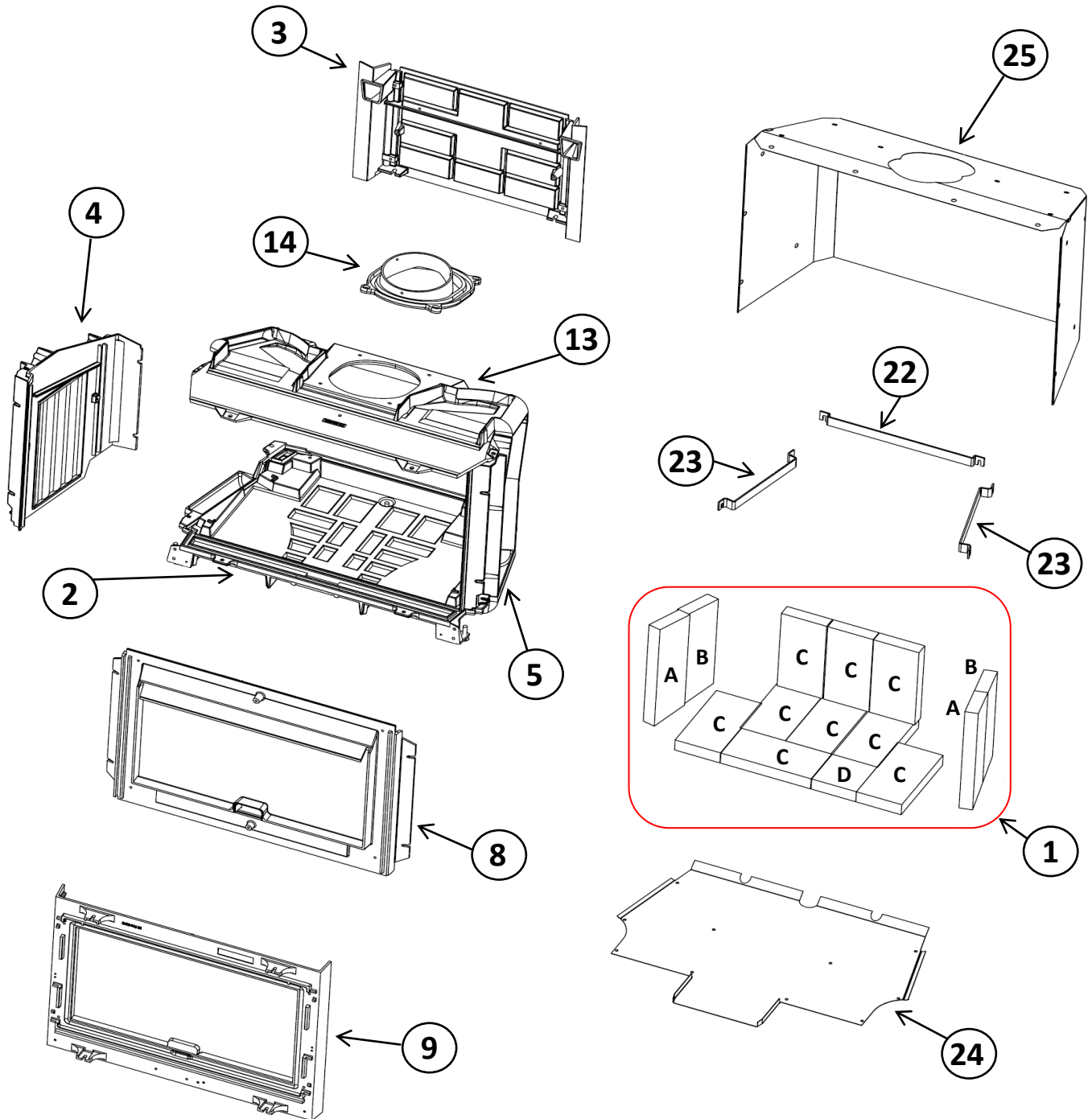
CLYDESDALE I

Model 8491



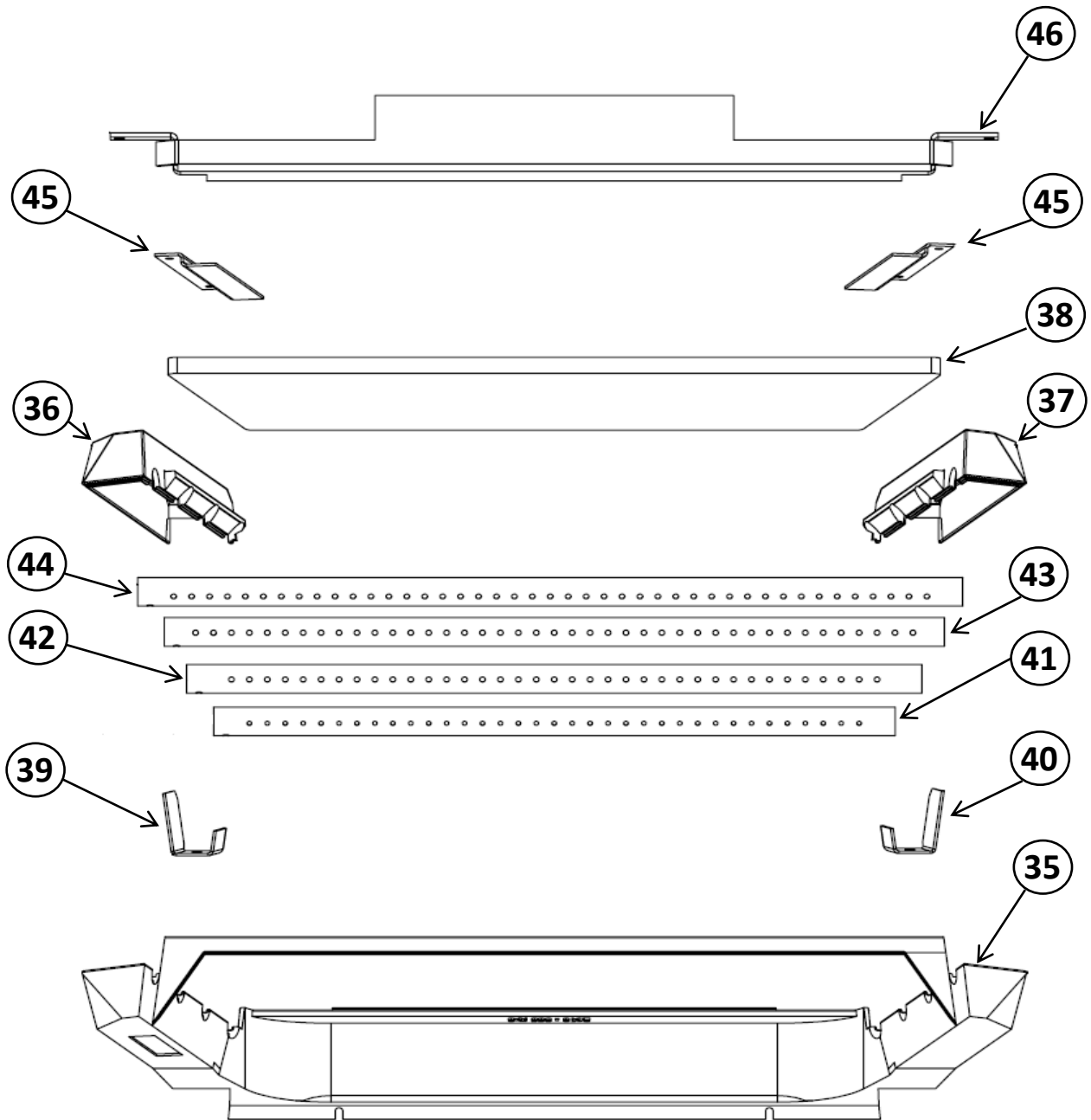
ASSEMBLY A

FIREBOX & SHROUD



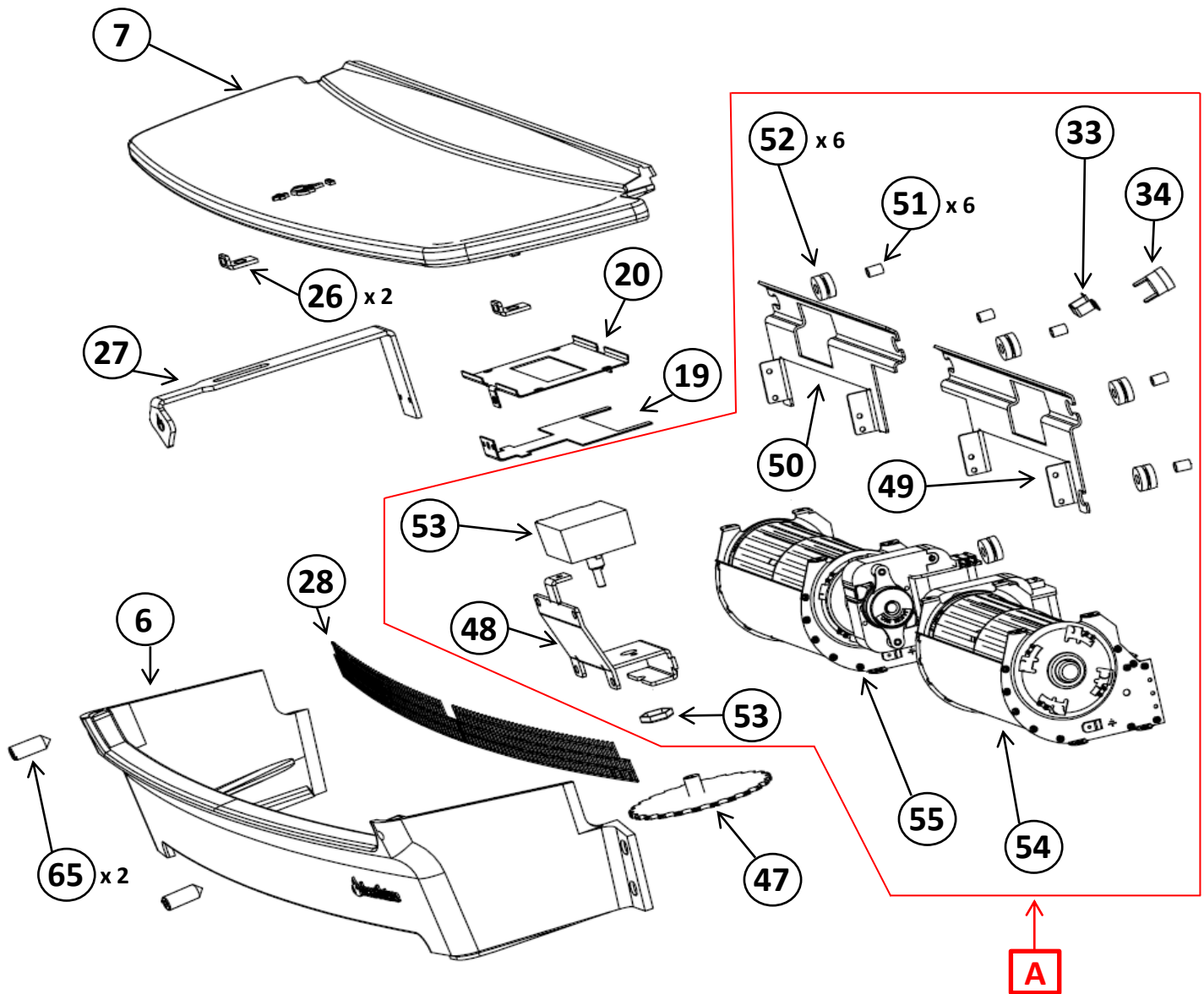
ASSEMBLY B

SECONDARY MANIFOLD



ASSEMBLY C

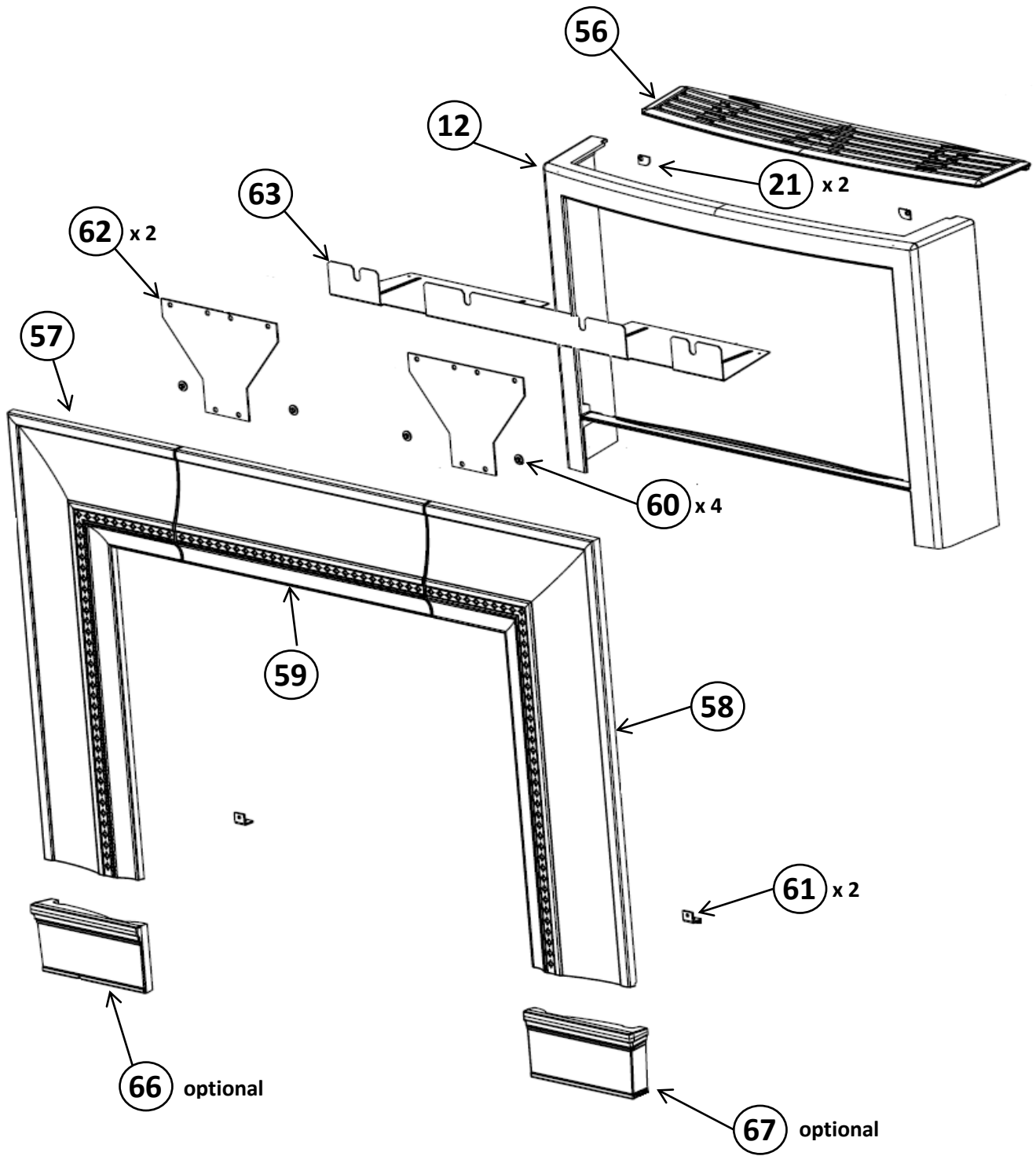
ASHLIP & BLOWERS



A AVAILABLE IN BLOWER ASSEMBLY KIT 94-57910

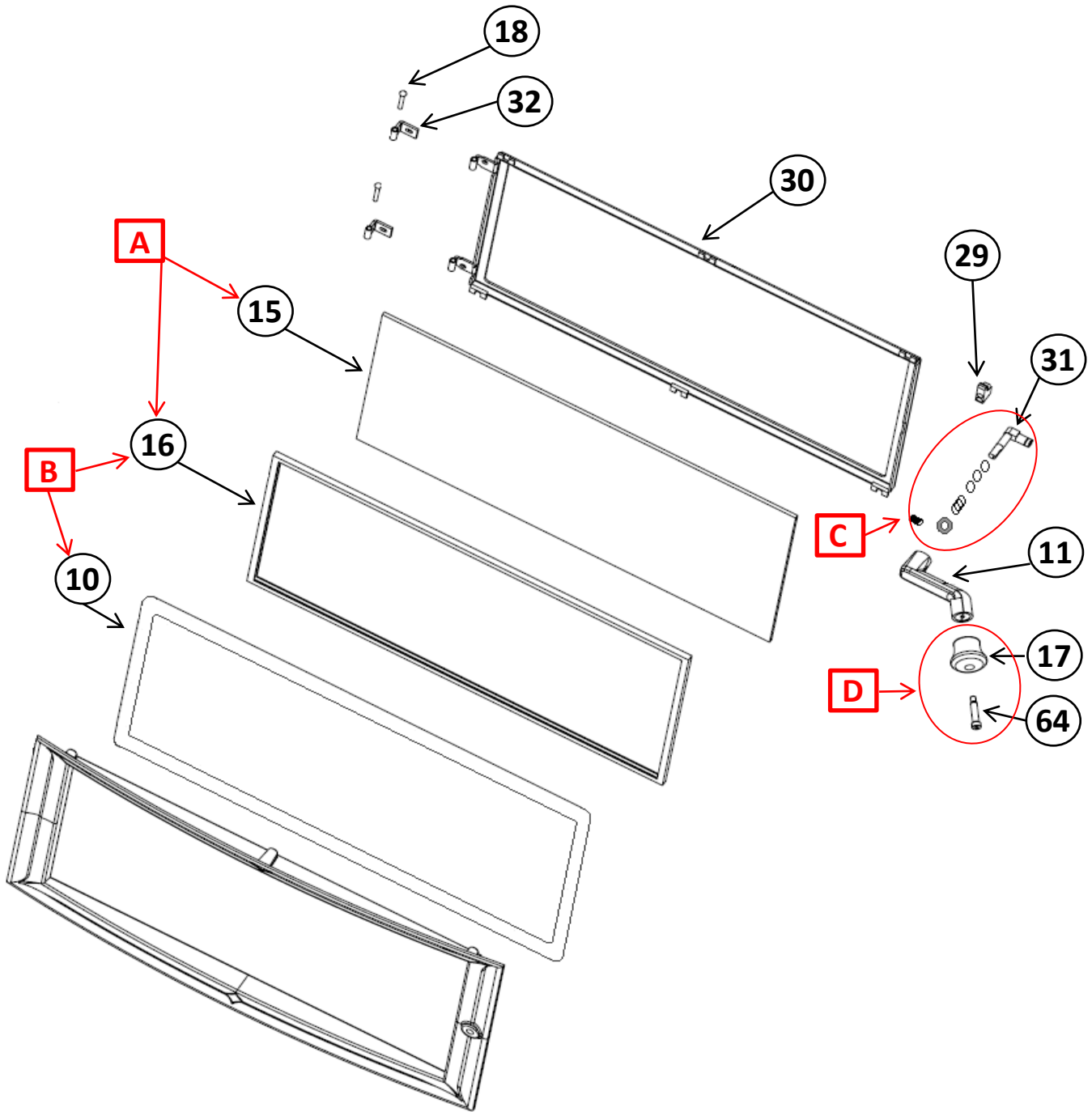
ASSEMBLY D

ASHLIP & BLOWERS



ASSEMBLY E

DOOR ASSEMBLY



A AVAILABLE IN GLASS KIT 94-58910

B AVAILABLE IN DOOR GASKET KIT 94-58912

C AVAILABLE IN FRONT DOOR LATCH KIT 94-73910

D AVAILABLE IN DOOR HANDLE KIT 94-71910



hearthstone

| Assembly Key | Component | Object description | QTY |
|--------------|-----------------|------------------------------------------------------------------------------|--------|
| A | 1 | 1-0400-903 STONE SET: REFRACTORY,CLY <i>STONES ALSO SOLD INDIVIDUALLY</i> | 1 |
| | A | 1-0400-900 LARGER SLANT-CUT STONE | 2 |
| | B | 1-0400-901 SMALLER SLANT-CUT STONE | 2 |
| | C | 1-0000-101 RECTANGULAR CUT STONE | 9 |
| | D | 1-0400-902 SQUARE CUT STONE | 1 |
| A | 2 | 2410-901 BOTTOM: CLY 1 | 1 |
| A | 3 | 2410-905 BACK: CLY | 1 |
| A | 4 | 2410-910 SIDE: LEFT,CLY | 1 |
| A | 5 | 2410-915 SIDE: RIGHT,CLY | 1 |
| C | 6 | 2410-926 ASH LIP BASE: MATTE,CLY 1 | 1 |
| C | 7 | 2410-927 ASH LIP COVER: MATTE,CLY 1 | 1 |
| A | 8 | 2410-940 PLENUM: AIR,PRIMARY,CLY | 1 |
| A | 9 | 2410-946 FRONT: CLY 1 | 1 |
| E | 10 | 2410-947 DOOR: MATTE, CLY 1 | 1 |
| E | 11 | 2310-617 HANDLE: FRONT/SIDE DOOR, MATTE | 1 |
| D | 12 | 2410-951 FRONT: FACADE,MATTE,CLY 1 | |
| A | 13 | 2410-970 TOP: CLY | 1 |
| A | 14 | 2410-975 COLLAR: FLUE,CLY | 1 |
| E | 94-58910 | GLASS KIT (INCLUDES) | |
| | 15 | 3030-049 GLASS: 12-5/16"x22-7/8"x5mm,CLY 1 | 1 |
| | 16 | 3160-080 GASKET: TAPE,3/4"x1/16",AD (1985'/SPO | 8.5 ft |
| E | 94-71910 | HANDLE KIT (INCLUDES) | |
| | 17 | 3900-187 HANDLE: WOOD,CLY 1 | 1 |
| | 64 | 4100-0285 SOCKET HEAD SCREW | 1 |
| E | 18 | 4400-0300 RIVET: 3/16x1-3/8",ROUND,STEEL,BLK ZN | 1 |
| A | 19 | 5490-013 SLIDE: PRIMARY AIR CONTROL,CLY | 1 |
| A | 20 | 5490-014 CAP: PRIMARY AIR,CLY | 1 |
| D | 21 | 5490-020 CLIP: FACADE RETAINER,CLY | 2 |
| A | 22 | 5490-050 RETAINER: FIREBRICK,REAR,CLY | 1 |
| A | 23 | 5490-055 RETAINER: FIREBRICK,SIDE,CLY | 2 |
| A | 24 | 5491-010 SHROUD, AIR, BOTTOM ,CLY 1 | 1 |
| A | 25 | 5491-011 SHROUD BOX: AIR,CLY 1 | 1 |
| C | 26 | 5491-012 BRACKET: ASHLIP COVER, CLY 1 | 2 |
| C | 27 | 5491-013 HANDLE: PRIMARY AIR CONTROL,CLY 1 | 1 |
| C | 28 | 5491-035 SCREEN: ASH LIP,CLY 1 | 1 |
| E | 29 | 5491-045 CATCH: DOOR LATCH, CLY 1 | 1 |
| E | 30 | 5491-046 RETAINER: DOOR GLASS, CLY 1 | 1 |



| Assembly Key | Component | Object description | QTY | |
|--------------|-----------------|---------------------------------|------------------------------------------|---|
| E | 94-73910 | LATCH KIT (INCLUDES) | | |
| | 31 5491-048 | LATCH ASSEMBLY: DOOR, CLY 1 | 1 | |
| | 4500-2976 | SCREW: Set 5/16-18x3/8" | 1 | |
| | 4700-0790 | SPACER: 0.435"x0.375"x0.03" | 3 | |
| | 5021-032 | WASHER: FLAT .046"IDx1"ODx0.35" | 1 | |
| | 5240-138 | SPRING: LATCH, WOOD STOVE | 1 | |
| E | 32 | 5491-085 | HINGE BRACKET, DOOR, CLY 1 | 2 |
| C | 33 | 5870-022 | STRAP: T'STAT SWITCH,DVI 32/TUC 1 DV | 1 |
| C | 34 | 7000-301 | SWITCH: T'STAT,BLOWER,TUC 1/WIN/DVI 32 | 1 |
| B | 36 | 2410-960 | PLENUM: AIR,SECONDARY,LEFT,CLY | 1 |
| B | 37 | 2410-965 | PLENUM: AIR,SECONDARY,RIGHT,CLY | 1 |
| B | 38 | 3120-490 | BOARD: CERAMIC,BAFFLE,CLY | 1 |
| B | 39 | 5490-058 | COLLAR: PLENUM,SECONDARY AIR,LEFT,CLY | 1 |
| B | 40 | 5490-059 | COLLAR: PLENUM,SECONDARY AIR,RIGHT,CLY | |
| B | 40 | 5490-059 | COLLAR: PLENUM,SECONDARY AIR,RIGHT,CLY | 1 |
| B | 41 | 5490-071 | PIPE: AIR,SECONDARY,#1,CLY | 1 |
| B | 42 | 5490-072 | PIPE: AIR,SECONDARY,#2,CLY | 1 |
| B | 43 | 5490-073 | PIPE: AIR,SECONDARY,#3,CLY | 1 |
| B | 44 | 5490-074 | PIPE: AIR,SECONDARY,#4,CLY | 1 |
| B | 45 | 5490-075 | BRACKET: BAFFLE, CLY | 2 |
| B | 46 | 5490-080 | SUPPORT: BAFFLE, SS, CLY | 1 |
| C | 47 | 5491-014 | WHEEL: BLOWER SPEED CONTROL,CLY 1 | 1 |
| C | 48 | 5491-015 | BRACKET: BLOWER SPEED CONTROL,CLY 1 | 1 |
| C | 49 | 5491-027 | BRACKET: FAN SUPPORT, RH ,CLY 1 | 1 |
| C | 50 | 5491-030 | BRACKET: FAN SUPPORT, LH, CLY 1 | 1 |
| C | 51 | 5491-090 | BUSHING:CLY1,BLOWR,3/16ID"x.359" | 6 |
| C | 52 | 7000-130 | GROMMET:SIL.45"PANLX.25"ID,M-633,EQU | 6 |
| C | 53 | 7200-601 | CONTROL: MOTOR,AC,VARIABLE SPEED,BLOWERS | 1 |
| C | 54 | 7211-946 | FAN: BLOWER,ASSY,RIGHT,CLY 1 | 1 |
| C | 55 | 7211-947 | FAN: BLOWER,ASSY,LEFT,CLY 1 | 1 |
| D | 56 | 2410-952 | GRILL, MATTE,CLY 1 | 1 |
| D | 57 | 2410-993 | SURROUND: LEFT,MATTE,CLY 1 | 1 |
| D | 58 | 2410-994 | SURROUND: RIGHT,MATTE,CLY 1 | 1 |
| D | 59 | 2410-991 | SURROUND: STRAIGHT,MATTE,CLY 1 | 1 |
| D | 60 | 5012-066 | BUSHING: SHUTTER,PRI AIR | 4 |
| D | 61 | 5470-039 | BRACKET: LEVELING,SURROUND,MOR/CLY | 2 |
| D | 62 | 5491-043 | PLATE: CONNECTOR,SURROUND,CLY 1 | 2 |
| D | 63 | 5491-087 | SURROUND BRACKET: SLIDING, CLY 1 | 1 |
| E | 64 | 4100-0310 | SCREW: SHOULDER,5/16"Dx1 1/4"L,SOCKET | 1 |
| C | 65 | 4500-4685 | SCREW: SET,5/16-18x1",CONE POINT,SOCKET | 2 |
| D | 66 | 2410-996 | CAP: SURROUND, LEFT | 1 |
| D | 67 | 2410-997 | CAP: SURROUND, RIGHT | 1 |



| Assembly Key | Component | Object description | QTY |
|---------------------------------------------|-----------------|---------------------------------------|-------|
| ITEMS NOT SHOWN ON ILLUSTRATION (NS) | | | |
| | 94-57910 | BLOWER KIT (INCLUDES) | |
| | 4400-0203 | RIVET: BLIND, 1/8"x1/8", SS SEALED | 8 |
| | 4500-2060 | SCREW: T-CUT, 10-24x5/16" PAN | 2 |
| | 5491-016 | BRACKET: BLOWER SPEED CONTROL | 1 |
| | 5491-027 | BRACKET: FAN SUPPORT, RH | 1 |
| | 5491-030 | BRACKET: FAN SUPPORT, LH | 1 |
| | 5491-090 | BUSHING: 3/16IDx.375 | 6 |
| | 7000-018 | 18AWG, 105C, 600V, GREEN | 1.5ft |
| | 7000-047 | TERMINAL: QD, 22-16G, MAL, NYLON | 5 |
| | 7000-055 | TERMINAL: QD, 22-18G, FEM, T-TAP | 3 |
| | 7000-056 | TERMINAL: RING, 22-18G, #8 | 3 |
| | 7000-130 | GROMMET: SIL.45" PANELX.25ID | 6 |
| | 7200-510 | POWER CORD: 3x101, 96" W/TERM | 1 |
| | 7200-601 | CONTROL: MOTOR, AC, VARIABLE SPEED | 1 |
| | 7211-946 | FAN: BLOWER, ASSY, RIGHT | 1 |
| | 7211-947 | FAN: BLOWER, ASSM, LEFT | 1 |
| NS | 94-599010 | SURROUND EXTENSION | 1 |
| NS | 94-5991XX | SURROUND KIT | |
| | | XX; 10=MATTE; 59=BLUE/BLACK; 20=BROWN | |

HARDWARE

| | | | |
|------------|-----------|--------------------------------------------------------|--------|
| Assembly A | 3110-059 | GASKET: FLUE COLLAR, 3/8" ROPE, MED DEN | 2.8ft |
| | 4500-1210 | BOLTS: FLU COLLAR, 1/4-20x1-1/4" HEX, SS | 4 |
| | 4600-0400 | WASHERS: LOCK FOR ABOVE, 1/4", ZN | 4 |
| | 4200-0250 | NUT: FINISHING FOR 2 ABOVE LINES, 1/4-20, SS | 4 |
| | 3110-057 | GASKET: TOP CAST CHANNEL: 3/8" ROPE, AD, NON-CORE | 11ft |
| | 3110-940 | GASKET: PRIMARY MAN. CHANNEL, 3/8" ROPE, AD, NON COR | 6.6ft |
| | 3110-053 | GASKET: DOGHOUSE, 3/16" ROPE, AD, LOW DEN | .5ft |
| | 3110-057 | GASKET: FRONT CAST CHANNEL, 3/8" ROPE, AD, NON-COR | 6.6ft |
| | 3110-051 | GASKET: FRONT CAST DOOR, 1/2" ROPE, LOW DEN, BLK | 10.5ft |
| | 3110-053 | GASKET: ASH LIP CHANNEL, 3/16" ROPE, AD, LOW DEN | 2.10ft |
| | 4500-1575 | SCREW: PRIMARY TO FRONT, 1/4"-20x2-3/4", ROUND, PH, ZN | 4 |
| | 4500-1355 | SCREW: PRIMARY TO FRONT, 1/4"-20x1-1/2", ROUND, PH, BL | 2 |
| | 4600-0300 | WASHERS: FLAT FOR ABOVE, 1/4", 3/4"OD BLK | 6 |
| | 2410-910 | GASKET: LFT.SIDE CAST.TO BODY, 3/8" ROPE, AD, NON-COR | 2.7ft |
| | 3110-051 | GASKET: BACK CASTING CHANNEL, 1/2" ROPE, LOW DEN, BL | 2.8ft |
| | 4500-3436 | SCREW: AIR CONTROL SLIDE, 10-24x3/8" T-CUT, PAN, BLK | 4 |
| | 4100-0127 | BOLT: BOTTOM CAST LEVELING, CARRIAGE, 3/8-16x1-1/2" | 3 |
| | 4200-0420 | NUT: LOCKING, FOR ABOVE, 3/8-16", HEX, ZN | 3 |



hearthstone

| Assembly Key | Component | Object description | QTY | |
|--------------|--------------------------------------------------------|----------------------------------------------------------|-----------------------------------------------------|---|
| Assembly A | 4500-3436 | SCREW: BTM SHROUD TO BTM CAST, 10-24x3/8", PAN, BLK | 10 | |
| | 3110-057 | GASKET: BTM CAST CHANNELS, 3/8" RIPE, AD, NON-CORE | 11ft | |
| | 4500-0900 | SCREW: BTM CAST TO BACK CAST, 14-20x1", HEX, GR 5 | 2 | |
| | 4600-0300 | WASHER: FLAT, FOR ABOVE, 1/4", 3/4"OD, BLK | 2 | |
| | 4500-1200 | SCREW: SIDE CASTS TO BK CAST, 1/4-20x1-1/4" HEX, GR 5 | 4 | |
| | 4600-0300 | WAHSER: FLAT, FOR ABOVE | 8 | |
| | 4200-0300 | NUT: LOCK, FOR 2 ABOVE LINES, 1/4-20, HEX, ZN | 4 | |
| | 4500-0900 | SCREW: FRONT/PRI ASM TO BTM CAST, 1/4-20x1", HEX, GR 5 | 2 | |
| | 4500-1200 | SCREW: SIDES TO BTM CAST, 1/4-20x1-1/4", HEX, GR 5 | 4 | |
| | 4600-0300 | WASHER: FLAT, FOR 2 ABOVE LINES, 1/4", 3/4"OD, BLK | 12 | |
| | 4200-0300 | NUT: LOCK, FOR 2 ABOVE LINES, 1/4-20, HEX, ZN | 6 | |
| | 4500-0570 | SCREW: FIREBRICK RETAIN. TO CAST, 1/4-20x1/2", HEX, SS | 6 | |
| | 4600-0300 | WASHER: FLAT, FOR ABOVE, 1/4", 3/4"OD, BLK | 6 | |
| | 4500-2140 | SCREW: PRIMARY REST STOP, 10-24x1", SOCK, SS | 2 | |
| | 4600-1210 | WASHER: FLAT, FOR ABOVE, 10, SAE, BLK OX | 2 | |
| | 4600-1230 | WASHER: LOCK, FOR 2 ABOVE LINES, 10, INTERN. TH., BLK | 2 | |
| | 4500-1200 | SCREW: TOP TO BODY OF STOVE, 1/4-20x1-1/4", HEX, GR 5 | 6 | |
| | 4600-0300 | WASHER: FLAT, FOR ABOVE, 1/4", 3/4"OD, BLK | 12 | |
| | 4200-0300 | NUT: LOCK, FOR 2 ABOVE LINES, 1/4-20, HEX, ZN | 6 | |
| | 4500-0400 | SCREW: SIDE CAST TO BACK CAST, 1/4-20x3/4", HEX, ZN, GR2 | 4 | |
| | 4600-0300 | WASHER: FLAT, FOR ABOVE, 1/4", 3/4"OD, BLK | 4 | |
| | 4500-3100 | SCREW: DRAFT TEST HOLE PLUG, 5/16-18x3/4", HEX, BL, GR2 | 1 | |
| | 4500-1876 | SCREW: SHROUD TO TOP FRONT, 10-24x1/2", PAN, PH, BLK | 4 | |
| | 4500-3436 | SCREW: SHROUD TO STOVE BODY, 10-24x3/8", PAN, PH, BLK | 16 | |
| | 4600-1210 | WASHER: FLAT, FOR ABOVE 2 LINES, #10, BLK | 20 | |
| | Assembly B | 4500-1876 | SCREW: LFT & RT PLENUM COLLARS TO LOWER, 10-24x1/2" | 2 |
| | | 4600-1230 | WASHER: LOCK FOR ABOVE, #8, INTERNAL TOOTH | 2 |
| 4500-1680 | | SCREW: UPPER TO LOWER MANIFOLD, 1/4-20x3-1/4", SLOT, Z | 4 | |
| 4500-3436 | | SCREW: BAFFLE BRACKETS TO PLENUM, 10-24x3/8", PAN, BL | 4 | |
| Assembly C | 4500-3436 | SCREW: SNAP DISK HOLDER, 10-24x3/8", PAN, PH, BLK | 2 | |
| | 4400-0100 | RIVET: AIR CONTROL HANDLE TO GATE, 1/8x1/4", GRIP, SS | 2 | |
| | 4500-1876 | SCREW: AIR CONTROL HANDLE TO BRACKET, 10-24x1/2", PH | 1 | |
| | 4600-1400 | WASHER: WAVE, FOR ABOVE, 5/16, 0.030" HEIGHT | 1 | |
| | 5012-066 | BUSHING: FOR ABOVE 2 LINES | 1 | |
| | 4500-2145 | SCREW: BLOWER ASSEM. TO STOVE, 10-24x1/2" | 6 | |
| | 4600-1210 | WASHER: FLAT, #10 FOR ABOVE | 6 | |
| | 4500-4690 | SCREW: SET, BLOWER SPEED WHEEL, 10-24x3/8", SOCKET | 1 | |
| | 4500-3436 | SCREW: SCREEN RETENTION, 10-24x3/8", PAN, PH, BLK | 8 | |
| | 4500-1876 | SCREW: SPEED CONTROL BRACKET TO ASH LIP, 10-24x1/2" | 4 | |
| 4500-3065 | SCREW: ASH LIP FRONT TO STOVE, 5/16-18, BUTTON HD | 4 | | |
| 4500-0540 | SCREW: FAÇADE RETENTION CLIP, 1/4-20x3/8", PAN, PH, ZN | 2 | | |



| Assembly Key | Component | Object description | QTY |
|--------------|-----------|---------------------------------------------------------|-----|
| Assembly C | 4500-1876 | SCREW: ASH LIP ADJUST, 10-24x1/2", PAN, PH, BLK | 2 |
| | 4500-4690 | SCREW: SET, ASH LIP LEVELER, CENTER, 10-24x3/8", SOCKET | 2 |
| | 4200-0700 | NUT: FINISHING, FOR ABOVE, 5/16-18 | 1 |
| | 4500-1910 | SCREW: ASH LIP LOCKING CLIPS, 10-24x1/2", FLAT, PH | 2 |
| | 4500-1230 | WASHER: LOCKINIG FOR ABOVE, INTERNAL TOOTH, #10 | 2 |
| | 4500-4685 | SCREW: SET, ASH LIP RETENTION, 5/16-18x1", CONE POINT | 2 |
| Assembly D | 4500-0700 | SCREW: 1/4-20x5/8", HEX, BLK | 2 |
| | 4500-1876 | SCREW: 10-24x1/2" PAN, PH, BLK | 20 |
| | 5012-066 | BUSHING: SHOULDER | 4 |
| | 4500-0570 | SCREW: 1/4-20x1/2", HEX, SS | 2 |
| | 4600-1210 | WASHER: FLAT, #10, BLK | 12 |
| Assembly E | 4500-2114 | SCREW: GLASS RET. FRAME, 10-24x3/8", PAN, PH, BLK | 6 |
| | 4500-1876 | SCREW: GLASS RET. FRAME, HINGE SIDE, 10-24x1/2", PAN | 2 |
| | 4600-1210 | WASHER: #10 FOR ABOVE | 2 |
| | 5491-045 | SCREW: DOOR LATCH CATCH, CAP, 10-24x1", SOCK, SS | 2 |
| | 4500-0420 | SCREW: DOOR HINGE, HEX, 1/4-20x3/4", BLK | 4 |