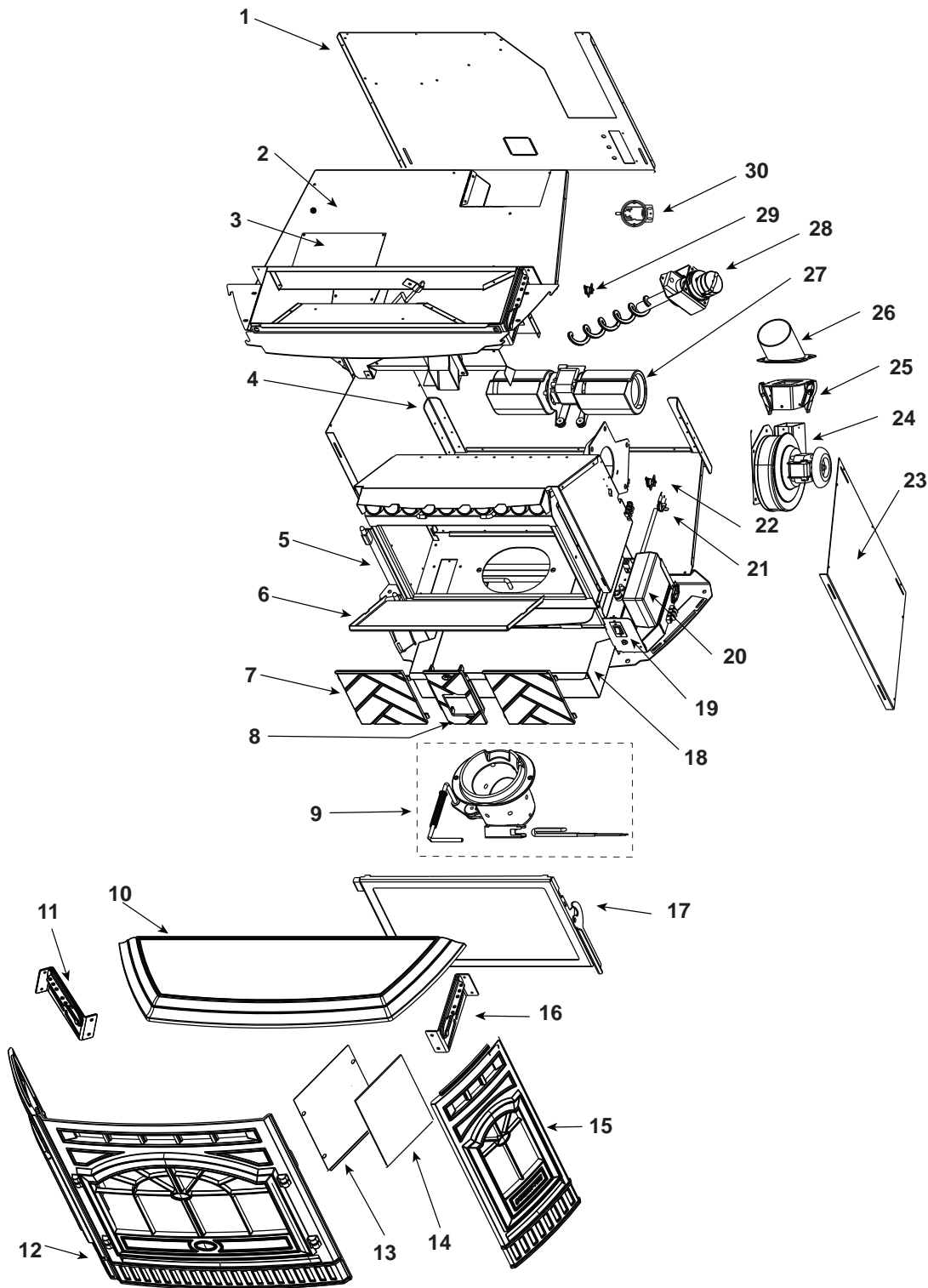


810-02901 (MBK), 810-03201 (PMH), CASTINS-CSB, CASTINS-CWL



Part number list on following pages.

Beginning Manufacturing Date: Jan 2006
Ending Manufacturing Date: Mar 2011

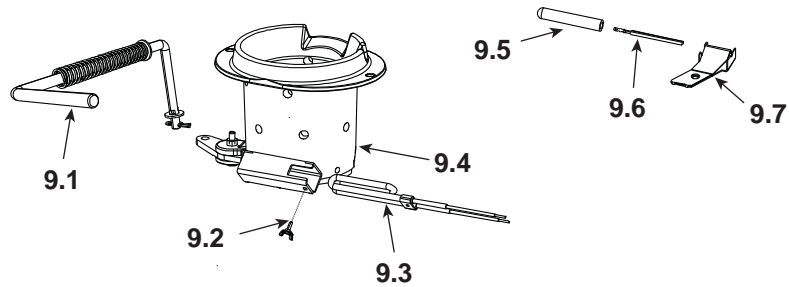
IMPORTANT: THIS IS DATED INFORMATION. Parts must be ordered from a dealer or distributor. **Hearth and Home Technologies does not sell directly to consumers.** Provide model number and serial number when requesting service parts from your dealer or distributor.



**Stocked
at Depot**

ITEM	DESCRIPTION	COMMENTS	PART NUMBER	
1	Hopper Back		SRV414-0320	
2	Hopper Top Assembly		SRV414-5830	
	Feed Adjustment Bracket Assembly		SRV414-6230	
3	Plate, Cover, Outer Can		480-1300	
4	Leveling Leg		SRV414-0210	
5	Bracket, Hinge	Attaches to Unit	SRV414-0610	
6	Baffle Assembly		UK-30KPEL	Y
7	Brick, Left / Right, Cast		414-0270	
8	Brick, Center, Cast		414-0260	

#9 Firepot and Associated Parts



9.1	Firepot Pull Rod Assembly		414-5270	Y
	Spring, Firepot		200-2050	
9.2	Wing Thumb Screw 8-32 x 1/2	Pkg of 24	7000-223/24	Y
9.3	Heating Element Assembly 18" (Loop Igniter)	Pkg of 10	SRV7000-462/10	Y
	Washer, 1/4 Sae	Pkg of 24	28758/24	Y
9.4	Firepot Assembly		SRV414-5200	Y
	Bushing, Firepot		410-8320	Y
	Floor, Firepot		414-0290	Y
	Gasket, Firepot		240-0930	Y
	Nut, Lock 1/4-20	Pkg of 25	226-0090/25	Y
	Bolt, Firepot, 1-1/4" Long	Pkg of 25	225-0120/25	Y
9.5	Thermocouple Cover	Pkg of 10	812-4920	Y
9.6	Thermocouple		812-4470	Y
9.7	Thermocouple Clamp		SRV7001-203	Y
10	Top Cast - Must specify color	Matte Black	414-0060BK	
		Porcelain	414-0060POR	
		Powder Coat	414-0060PWD	
11	Top Slide Assembly, Left		414-5180	Y

Additional service part numbers appear on following page.

Beginning Manufacturing Date: Jan 2006

Ending Manufacturing Date: Mar 2011

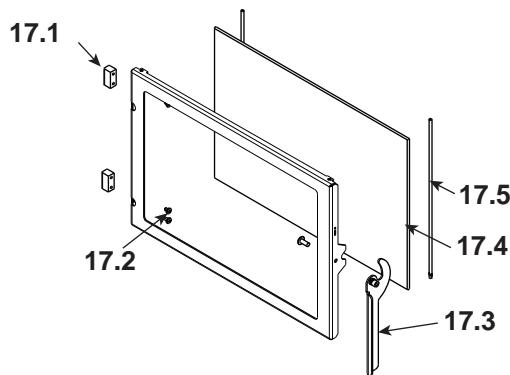
IMPORTANT: THIS IS DATED INFORMATION. Parts must be ordered from a dealer or distributor. **Hearth and Home Technologies does not sell directly to consumers.** Provide model number and serial number when requesting service parts from your dealer or distributor.



Stocked at Depot

ITEM	DESCRIPTION	COMMENTS	PART NUMBER	
12	Face - Must specify color	Matte Black	414-0040BK	
		Porcelain Color	414-0040POR	
		Powder Coat	414-0040PWD	
	Face Hinge - Must specify color	For Black Units	SRV414-0940	
		For Porcelain & Powder Coat Units	SRV414-0950	
13	Backer, Side Window	Interchangeable	414-0280	
14	Glass Assembly, Side, 1 Piece - 5-7/8 in. W x 9 in. H	Interchangeable	414-5380	Y
	Gasket, Channel 1/8 x 1-1/4	10 Ft.	7000-377/10	Y
	Speed Nut 5/16	Pkg of 24	7000-422/24	Y
15	Side - Must specify color	Matte Black	414-0050BK	
		Porcelain Color	414-0050POR	
		Powder Coat	414-0050PWD	
16	Top Slide Assembly, Right		414-5170	Y
	Retainer, Rope		7001-192	Y
	Tape, Door Corner		SRV7027-227	Y

#17 Door Assembly



17	Door Assembly	Pre 0071389650	414-5190	
		Post 0071389650	413-5110	
17.1	Hinge, Female		450-2910	
17.2	Screw, Pan Head Philips, 10/32 x 1/4	Pkg of 24	229-1230/24	Y
17.3	Door Latch Assembly		413-5200	
17.4	Glass Assembly (w/gasket) 17-1/4" W x 11-5/8" H		7001-038	Y
17.5	Retainer, Rope		7001-192	Y
	Gasket, Tadpole, 1/2 in	10 Ft length	842-5130	Y
18	Ash Pan		414-0130	

Additional service part numbers appear on following page.

Beginning Manufacturing Date: Jan 2006
Ending Manufacturing Date: Mar 2011

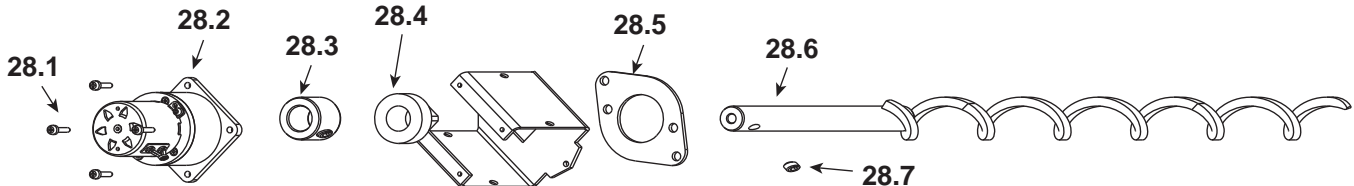
IMPORTANT: THIS IS DATED INFORMATION. Parts must be ordered from a dealer or distributor. **Hearth and Home Technologies does not sell directly to consumers.** Provide model number and serial number when requesting service parts from your dealer or distributor.



**Stocked
at Depot**

ITEM	DESCRIPTION	COMMENTS	PART NUMBER	
19	Wire Harness		SRV414-1040	Y
	Capacitor, Rep Jumper	No longer available	230-2150	
	Igniter Extension		7000-218	
20	Control Board 3 Speed		SRV7000-704	Y
21	Snap Disc, Manual Reset, # 3		SRV230-1290	Y
22	Snap Disc, 110-20		SRV230-1220	Y
23	Outer Skin		SRV414-0500	
24	Blower, Exhaust Combustion		812-4400	Y
	Gasket, Exhaust Combustion Blower (between...)	...Housing & Stove	240-0812	Y
		...Housing & Motor	812-4710	Y
25	Exhaust Transition Assembly		414-5100	
	Latch, Draw		229-0230	
26	Exhaust Adapter Assembly		SRV414-5850	
	Gasket, Flue Adapter		240-0850	Y
27	Blower, Convection		812-4900	Y
	Blower Magnet	Pkg of 10	7019-188/10	Y

#28 Feed Assembly



28	Feed Assembly		SRV414-5400	
28.1	Screw, 8-32 x 3/8 PH,TF	Pkg of 40	225-0500/40	Y
28.2	Feed Motor		812-4421	Y
28.3	Collar, Set, 7/8		229-0520	
28.4	Bearing, Feed System, Nylon		SRV7000-598	Y
28.5	Gasket, Feed Motor		240-0731	Y
28.6	Feed Spring Assembly		SRV414-5540	Y
28.7	Set Screw, 5/16-18 x 1/4	Pkg of 25	225-0550/25	Y
29	Snap Disc, Manual Reset, # 3		SRV230-1290	Y
30	Vacuum Switch		SRV7000-531	Y

Additional service part numbers appear on following page.

Beginning Manufacturing Date: Jan 2006

Ending Manufacturing Date: Mar 2011

IMPORTANT: THIS IS DATED INFORMATION. Parts must be ordered from a dealer or distributor. **Hearth and Home Technologies does not sell directly to consumers.** Provide model number and serial number when requesting service parts from your dealer or distributor.



**Stocked
at Depot**

ITEM	DESCRIPTION	COMMENTS	PART NUMBER	
	Ash Catcher		414-0150	
	Plate, Ash Cleanout		7001-186	
	Bracket, Magnet		414-0930	
	Bracket, Snap Disc		7005-253	
	Call Light Bulb - Old Style Junction Box		812-0760	Y
	Call Light Lens Cover - Old Style Junction Box		812-0750	Y
	Call Light, Fluorescent		SRV7000-122	
	Component Pack Assembly (Includes Firepot Cleanout Tool, Touch-Up Paint, Power Cord, Thermostat Wire Harness, Owners Manual, Warranty Card, "How-To" Dvd)	Linden Green	414-5410	
		Mahogany	414-5460	
		Matte Black	414-5390	
		No longer available	414-5450	
		Porcelain Crème	414-5480	
		Porcelain Green	414-5440	
		Powder Coat Crème	414-5420	
		Sienna Bronze	414-5510	
	Willow	414-5520		
	Cleanout Tool		414-1140	Y
	Dvd Original Energy Insert		7000-441	
	Paint Touch-Up	Matte Black	812-0910	
		Mahogany	855-1450	
		Sienna Bronze	TOUCHUP-CSB	
		Willow	TOUCHUP-CWL	
	Power Cord		812-1180	Y
	Harness, Thermostat Wire		230-0810	
	Deflector, Bottom Airwash		413-0680	
	Fuse, 7 Amp, Junction Box	Pkg of 10	812-0380/10	Y
	Fuse, 8 Amp, Control Box	Pkg of 10	812-3780/10	Y
	Gasket, Tadpole, 1/2"	100 Ft	240-0880/100	
	Hinge, Door, Male		450-2810	
	Hook, Cast Mount		414-1010	
	Hose, Vacuum, 5/32 Id	3 Ft	SRV240-0450	Y
	Igniter Wire (5 Ft) & (4) Ceramic Nuts		812-4520	Y
	Magnet Round		SRV7000-140	Y
	Rocker Switch, 3-Position	Heat Output	812-3500	Y
	Thermocouple Grounding Kit		812-4980	
	Wire Harness Snap Disk		7001-224	

Additional service part numbers appear on following page.

IMPORTANT: THIS IS DATED INFORMATION. Parts must be ordered from a dealer or distributor. **Hearth and Home Technologies does not sell directly to consumers.** Provide model number and serial number when requesting service parts from your dealer or distributor.



**Stocked
at Depot**

ITEM	DESCRIPTION	COMMENTS	PART NUMBER	
OPTIONAL ACCESSORIES				
	Adjustable Hearth Support - 12" x 50", 2-10" H		ADJSPT-12	
	Damper, 3 Inch - Tall Vertical Installs Only		PEL-DAMP3	Y
	Damper, 4 Inch - Tall Vertical Installs Only		PEL-DAMP4	
	Log Set		LOGS-30-OE	
	Log Rear, Left		7050-144	
	Log Rear, Right		7050-143	
	Log Top, Twig, Center	To Cover Firepot	811-0900	
	Outside Air Kit, Rear		811-0872	
	Channel, Air Intake		413-7040	
	Cover, Outside Air Kit, Floor		411-1071	
	Hose, Alum Flex, 2 Inch x 3 Ft	3 Ft	200-0860	
	Outside Air Cap Assembly		7001-044	
	Outside Air Collar Assembly		7001-045	
	Trim Plate, Outside Air Kit		412-7100	
	Panel & Trim Set, Basic, Standard	With Gold Trim	811-0990	
	Bracket, -L-, Trim		832-0840	
	Component Pack		413-5270	
	Trim, Panel Set, Std, Gold	Gold Trim Set	811-0710	
	Panel Set, (Use with Cast Trim)	Large	811-0920	
		Standard	811-0910	
	Component Pack - Fasteners & Instructions for Cast Trim		413-5260	
	Thermostat, Mechanical		812-3760	Y
	Thermostat, Programmable		811-0520	
	Trim Cast	Matte Black	811-0930	
	Footer, Left		414-7090MBK	
	Footer, Right		414-7100MBK	
	Header		414-7110MBK	
	Trim Leg, Left		414-7120MBK	
	Trim Leg, Right		414-7130MBK	
	Trim Cast	Mahogany	811-0960	
	Footer, Left		414-7090PMH	
	Footer, Right		414-7100PMH	
	Header		414-7110PMH	
	Trim Leg, Left		414-7120PMH	
	Trim Leg, Right		414-7130PMH	

Additional service part numbers appear on following page.

