

Dust sealed on/off switch

Handle and hose holder

2 peak HP
 maximum

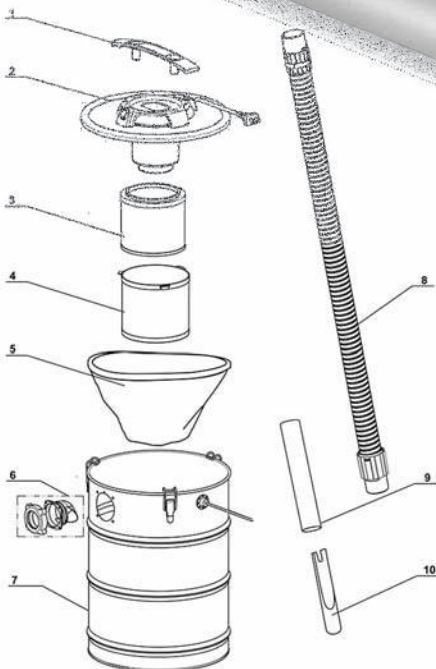
Secure fit hose connection

Metal latches

Rust resistant
 6.5 gallon metal tank

**2 YEAR
 LIMITED
 WARRANTY**

3.25 ft. flexible hose
 with 7 in. aluminum wand



click the part # for parts and ordering

Key	Parts No.	Description	Qty.	
1	892101	Handle	1	CALL
2	—	Power Head Assembly	1	CALL
3	892094	Cartridge Filter	1	
4	—	Filter Cage	1	CALL
5	892093	Ash Vac Pre-Filter	1	
6	892102	Vacuum Port Assembly	1	CALL
7	—	Tank	1	CALL
8	892095	Flexible Aluminum Hose	1	
9	892099	Metal Nozzle	1	
10	892097	Crevice Tool	1	CALL
—	80614	Motor Only	1	CALL