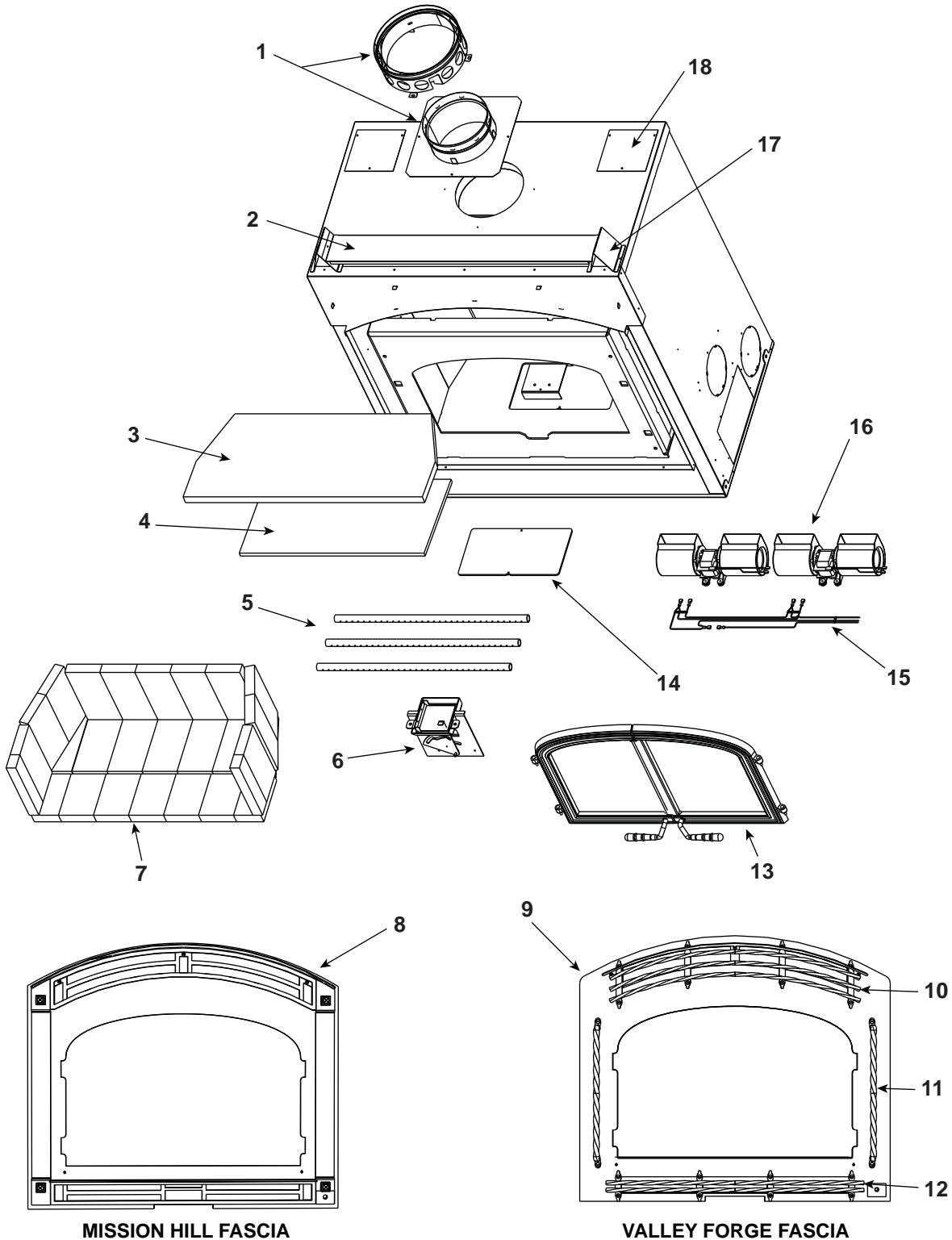


7100FP-BK-B, 7100FP-GD-B, and 7100FP-NL-B (Aug 2006 - Active)  
7100FP-BK, 7100FP-GD and 7100FP-NL (Mar 2005 -- July 2006)



Part number list on following page.

Beginning Manufacturing Date: Mar 2005  
Ending Manufacturing Date: Active

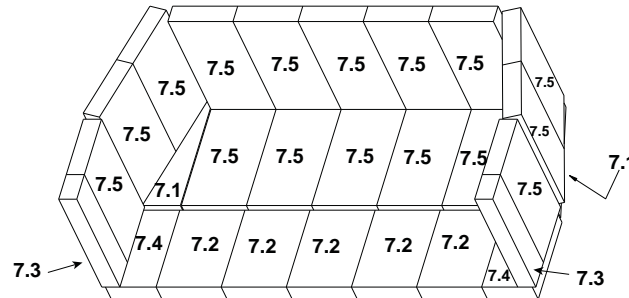
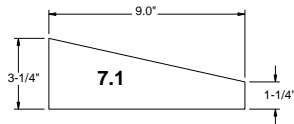
IMPORTANT: THIS IS DATED INFORMATION. Parts must be ordered from a dealer or distributor. **Hearth and Home Technologies does not sell directly to consumers.** Provide model number and serial number when requesting service parts from your dealer or distributor.



**Stocked at Depot**

ITEM	DESCRIPTION	COMMENTS	PART NUMBER	
1	Starter Plate Assembly		SL1	
	Starter Section Assembly 8"		22069B	Y
2	Header Shield		480-1130	
3	Ceramic Fiber Blanket, 1 In.		433-0920	
4	Ceramic Fiberboard		SRV433-0910	Y
5	Manifold Tube Set		TUBES-433	Y
	Manifold Clip/Screws	Pkg of 4	832-0661	Y
6	Upgrade Kit - Fan & Timer Upgrade Kit	Pre 0091577579	433-5730	Y
	Timer Assembly - Complete Timer Assembly	Post 0091577579	SRV433-5080	Y
	Component Pack		433-5700	
	Gasket, Timer		433-1290	
	Timer Replacement		SRV480-1940	Y

## #7 Brick Set



7	Brick Assembly - Complete Set	Pkg of 27	BRICK-433	
7.1	Brick, 9" x 3.25" x 1.25" Angled (see diagram)	Qty. 2 Req.	433-6080	
7.2	Brick, 6.25" x 4.5" x 1.25"	Qty. 5 Req.	433-6090	
7.3	Brick, 9" x 2" x 1.25"	Qty. 2 Req.	433-6110	
7.4	Brick, 6.25" x 3.5" x 1.25"	Qty. 2 Req.	433-6120	
7.5	Brick, 9" x 4.5" x 1.25"	Qty. 16 Req.	832-2370	
	Brick Uncut, Clay	Pkg of 6	832-3030	
8	Fascia, Mission Hill	Pre 0071580458	DF-7100MH	
		Post 0071580458	DF-7100MH-B	
	Screw, BH SH 1/4-20 x 1.25 BLK	Pkg of 24	225-0630/24	Y
	Screw, 1/4-20 x .5 Button Head	Pkg of 20	32328/20	Y
	Nut, Tinnerman Cage 1/4-20	Pkg of 4	812-2980	Y
	Component Pack		433-5990	
	Knob, Chad, Mission Hill Front		2005-193	
9	Fascia, Valley Forge	Pre 0071580458	DF-7100VF	
		Post 0071580458	DF-7100VF-B	
	Fascia, Rolling Meadows	Post 0071580458	DF-7100RM	
Post 0071580458		DF-7100RM-NL		
	Component Pack		433-5990	

Additional service part numbers appear on following page.

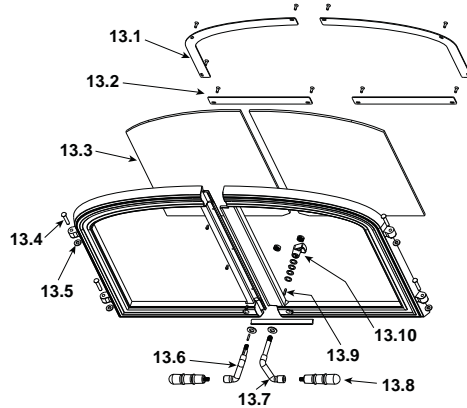
IMPORTANT: THIS IS DATED INFORMATION. Parts must be ordered from a dealer or distributor. **Hearth and Home Technologies does not sell directly to consumers.** Provide model number and serial number when requesting service parts from your dealer or distributor.



**Stocked  
at Depot**

ITEM	DESCRIPTION	COMMENTS	PART NUMBER
10	Louver Assembly, Top		433-5130
11	Side Bar Assembly		433-5210
12	Louver Assembly, Bottom		433-5120

## #13 Door, Glass and Door Handle Assembly



13	Door Assembly ( A whole new door must be ordered to change the color of the trim)	Black	SRV433-5580	
		Gold	SRV433-5590	
		Nickel	SRV433-5600	
13.1	Glass Frame, Top		433-1610	
13.2	Glass Frame, Bottom		433-1620	
13.3	Glass Assembly	Qty 2 req	433-5750	Y
	Gasket, Rope, 1/4", Black (Glass), Field Cut to Size	10 Ft	834-1460	Y
13.4	Hinge Pin	Gold	229-1240	
		Nickel	229-1250/10	Y
13.5	Washer, 1/4 Sae	Pkg of 24	28758/24	Y
	Door Handle Kit		HANDLES-433	Y
13.6	Handle, Door, Left		433-2030	
13.7	Handle, Door, Right		433-0770	
13.8	Fiber Handle		SRV433-1380	Y
13.9	Key, Cam Latch		430-1151	
13.10	Cam Latch		32084	
	Door Trim, Left (Only use for damaged as a replacement for damaged parts)	Gold Trim	433-7160	
		Nickel Trim	433-7340	
	Door Trim, Right (Only use for damaged as a replacement for damaged parts)	Gold Trim	433-7150	
		Nickel Trim	433-7330	
	Gasket, Door, Left & Right Door		SRV433DRGASKET	Y
	Gasket, Lytherm, 1/2 x 1/8, 4.	4.17 Ft	834-2590	
	Screw, Flat Head Philips 8-32 x 1/2	Pkg of 10	832-0860	Y
	Washer, Sae, 3/8	Pkg of 3	832-0990	Y

Additional service part numbers appear on following page.

IMPORTANT: THIS IS DATED INFORMATION. Parts must be ordered from a dealer or distributor. **Hearth and Home Technologies does not sell directly to consumers.** Provide model number and serial number when requesting service parts from your dealer or distributor.

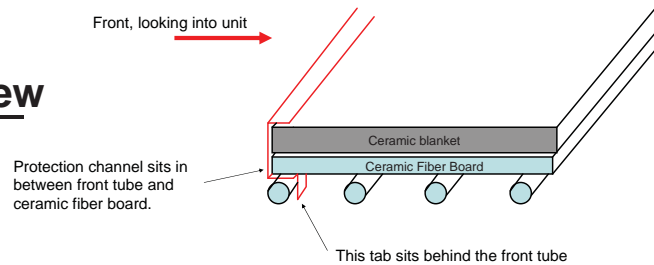


**Stocked  
at Depot**

ITEM	DESCRIPTION	COMMENTS	PART NUMBER	
14	Access Assembly		433-6270	
15	Wire Harness		SRV480-0990	Y
16	Upgrade Kit - Fan & Timer Upgrade Kit	Pre 0091577579	433-5730	Y
	Blower Assembly	Pre 0091588198	812-4900	Y
	Blower Assembly w/Bracket	Post 0091588198	SRV433-5890	Y
17	Standoff Top		480-1040	
18	Plate, Cover, Outer Can		480-1300	

## #19 Protection Channel

### Side view



19	Baffle Protection Kit		433-2720	Y
	Air Shut Off Kit	Pre 1575932	ASK-7100	
	Control Knob, OA Handle		7000-246	Y
	Brick Retainer Assembly		SRV433-5860	Y
	Bypass Lever Assembly		SRV433-5850	Y
	Chimney Air Kit		CAK4A	
	Outside Air Shield		33271	Y
	Collar, Set, 1/4		229-0750	
	Component Pack (Includes Clamp Connector, Knob, Owners Manual, Epa Label, Sales Efficiency, Light Switch, Light Switch Cover Plate, Fan Speed Control, Touch-Up Paint & Quadra-Fire Warranty Card)		433-5180	
	Control Arm Assembly		433-5880	
	Face Board Assembly, Non-combustible board		433-5720	Y
	Fan Speed Control		SRV7000-143	Y
	Flange, Outer Can Lower		433-0970	
	Hearth Strip		18320	
	Knob, ACC Knob	Pkg of 2	32284/2	Y
	Light Switch		480-1260	
	Light Switch Cover Plate		480-1270	
	Outside Air Hood 6"		4059-051	
	Paint Touch-Up		812-0910	
	Outside Air Termination Cap, 6 In.		480-1160	
	Unit Collar		659-125	

Additional service part numbers appear on following page.

Beginning Manufacturing Date: Mar 2005  
Ending Manufacturing Date: Active

IMPORTANT: THIS IS DATED INFORMATION. Parts must be ordered from a dealer or distributor. **Hearth and Home Technologies does not sell directly to consumers.** Provide model number and serial number when requesting service parts from your dealer or distributor.



**Stocked  
at Depot**

ITEM	DESCRIPTION	COMMENTS	PART NUMBER	
	Snap Disc F220-160F		SRV480-1730	Y
	Snap Disc, F180F-150, (for use with Uninsulated Chases)		SRV4021-827	
	Latch, Magnet		229-0631	
	Adhesive, Hi Temp		7000-298	
	Label, Operation		433-3530	
	Label, Outside Air		433-3870	
ACCESSORIES				
	Firescreen		SCR-433	
	Heat Zone Kit		HEAT-ZONE-WOOD	
	Dv Adapter		7010-172	
	Fan, Heat Zone		7015-003	
	Return Air Grille, 12 x 6		7015-110	
	Unit Collar		659-125	
	Lintel Bar		LINTEL-433	
	Template, Metal		TMP-433	
	TR Top Vent Kit		TR-TVK	
FASTENERS				
	Avk Rivnut Repair Kit - 1/4-20 & 3/8-16 Rivnut Tools		RIVNUT-REPAIR	Y
	Nut, Capped, Push, 1/4	Pkg of 24	7000-157/24	Y
	Nut, Keps Lock, 8-32	Pkg of 40	226-0060/40	Y
	Nut, Ser Flange Small 1/4-20	Pkg of 24	226-0130/24	Y
	Screw, PH 8-32 x 1/2	Pkg of 25	220-0030/25	Y
	Screw, Machine Screw 1/4-20 X 5/8	Pkg of 24	220-0440/24	Y
	Screw, Pan Head Philips 8-32 X 3/4	Pkg of 24	229-1100/24	Y
	Screw, Pan Head Philips 8-32 X 3/8	Pkg of 40	225-0500/40	Y
	Screw, Sheet Metal #8 X 1/2 S-Grip	Pkg of 40	12460/40	Y
	Wing Nut WF .8-32, Refractory Retainer	Pkg of 24	226-0160/24	Y
	Wing Nut WF .1/4-20, for use with fan kits	Pkg of 12	226-0110/12	Y