

Part number list on following page.

IMPORTANT: THIS IS DATED INFORMATION. Parts must be ordered from a dealer or distributor. **Hearth and Home Technologies does not sell directly to consumers.** Provide model number and serial number when requesting service parts from your dealer or distributor.

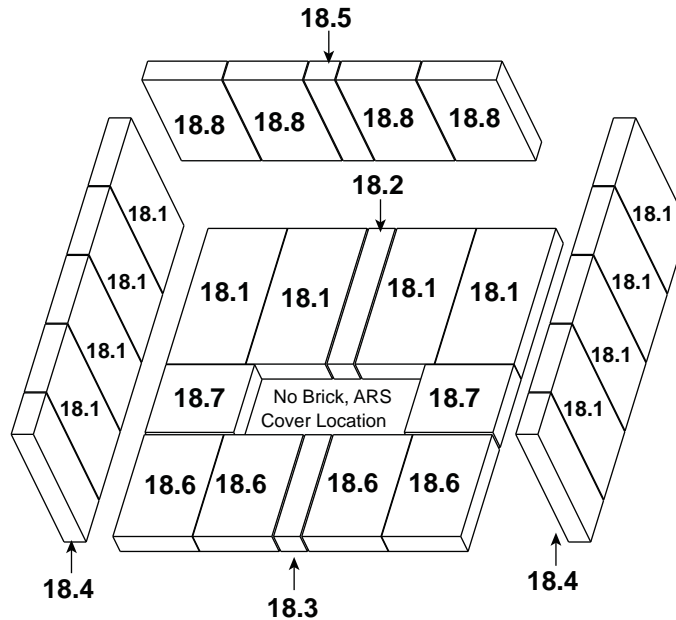


**Stocked
at Depot**

ITEM	DESCRIPTION	COMMENTS	PART NUMBER	
1	Air Channel, Convection		SRV7038-127	
2	Air Supply Back		SRV7038-119	
3	Panel Assembly Side, Left		SRV7038-006	
4	Blanket, Ceramic Fiber		SRV7038-117	Y
5	Baffle Protection Channel (illustration on page 5)		SRV7038-179	
6	Baffle Board	Qty: 2	SRV7038-118	Y
7	Rear Channel Assembly		SRV7038-001	
8	Access Cover - ARS		SRV7038-196	
9	Channel - Ash Removal System (ARS)		7033-172	
10	Tube Channel Rack		SRV7038-174	
11	Tube Channel Assembly		SRV7038-008	Y
12	Secondary Tube Gasket		7038-187	
13	Door Assembly	Black	DR-57BK-FH	
		Nickel Trim	DR-57NL-FH	
14	Hinge Pins, 1/2"	Qty: 2 Gold	832-0250	
		Qty: 2 Nickel	430-5320	
15	Spring Handle, 1/2"	Qty: 1 Gold	832-0620	Y
		Qty: 1 Nickel	250-8330	Y
16	Glass Assembly		7000-014	Y
	Glass Frame Set		GLA-FRM-5700	
	Gasket, Glass Tape, 3/4 " - Field Cut to Size	5 Ft	832-0460	Y
	Rope, Door, 3/4" x 84" - Field Cut to Size	7 Ft	832-1680	Y
	Logo, Quadra-Fire	Gold	200-3180	
		Nickel	200-3240	
	Component Pack (Includes Nickel Spring Handles (1) 1/2" & (2) 1/4", (2) Nickel Hinge Pins, Quadra-Fire Logo)	Black & Gold Doors	436-5350	
		Nickel Doors	436-5360	
	Door Handle Assemblies	Spring Handle	832-0540	
		Fiber Handle	SRV7033-071	
	Nut, Locking (For Door Handle)	Pkg of 24	226-0100/24	Y
	Handle Assembly		472-5130	
	Cam Latch		430-1141	
	Key, Cam Latch		430-1151	
	Screw, Flat Head Philips 8-32 x 1/2	Pkg of 10	832-0860	Y
	Washer, Sae, 3/8	Qty: 3 ea.	832-0990	Y
17	Brick Retainer, Side	Qty: 4	SRV7038-145	
	Label, Burn Rate Air Control		7033-160	
	Label, Start-Up Air Control		7033-166	

Additional service part numbers appear on following page.

#18 Brick Set



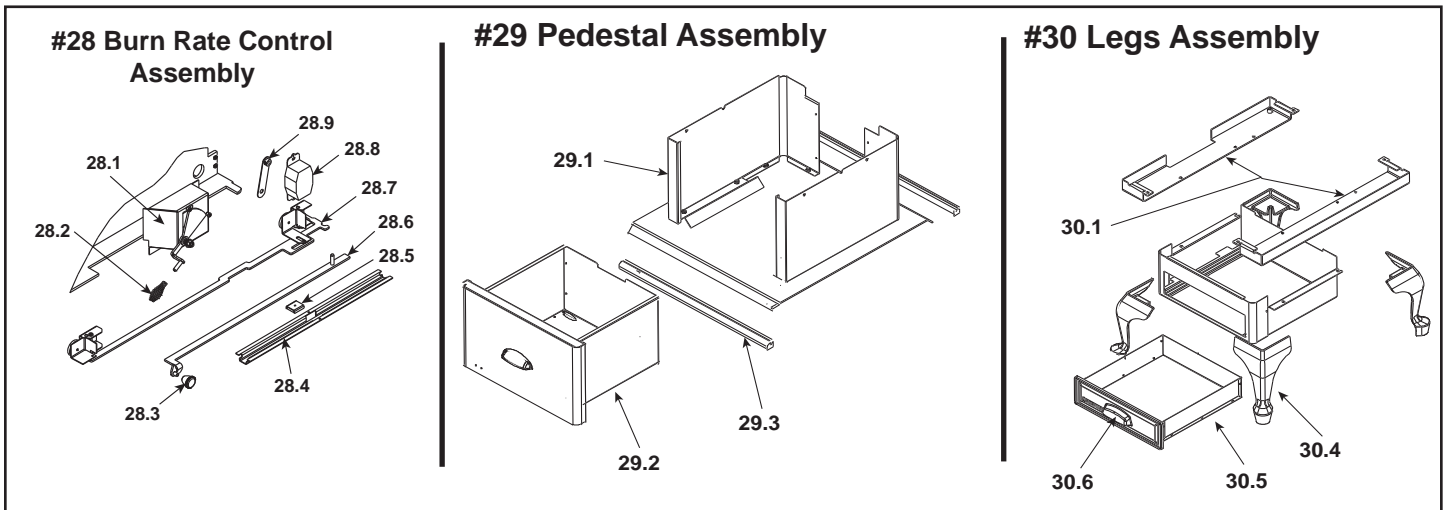
IMPORTANT: THIS IS DATED INFORMATION. Parts must be ordered from a dealer or distributor. **Hearth and Home Technologies does not sell directly to consumers.** Provide model number and serial number when requesting service parts from your dealer or distributor.



**Stocked
at Depot**

ITEM	DESCRIPTION	COMMENTS	PART NUMBER	
18	Brick Assembly - Complete Set	Pkg of 27	SRV7038-007	
18.1	Brick, 9 x 4.5 x 1.25"	Qty. 12 Req.		
18.2	Brick, 9 x 1.75 x 1.25"	Qty. 1 Req.		
18.3	Brick, 6.75 x 1.75 x 1.25"	Qty. 1 Req.		
18.4	Brick, 9 x 2.75 x 1.25"	Qty. 2 Req.		
18.5	Brick, 7 x 1.75 x 1.25"	Qty. 1 Req.		
18.6	Brick, 6.75 x 4.5 x 1.25"	Qty. 4 Req.		
18.7	Brick, 5 x 4.5 x 1.25"	Qty. 2 Req.		
18.8	Brick, 7 x 4.5 x 1.25"	Qty. 4 Req.		
	Brick, Uncut	Qty: 1	832-0550	
		Qty: 6	832-3040	
19	Brick Retainer, Rear		SRV7038-148	
20	Panel Assembly Side, Right		SRV7038-005	
23	Manifold Tube Cover		SRV7038-177	
22	Secondary Air Diverter		SRV7038-186	
21	Manifold Cover Plate		SRV7038-185	
24	Oak Cover Plate Kit		SRV7038-024	
25	Door Assembly - ARS		SRV7033-015	Y
26	Gasket - ARS		SRV7033-296	Y
27	Latch, Handle Assembly - ARS		SRV7033-047	Y

Additional service part numbers appear on following page.



IMPORTANT: THIS IS DATED INFORMATION. Parts must be ordered from a dealer or distributor. **Hearth and Home Technologies does not sell directly to consumers.** Provide model number and serial number when requesting service parts from your dealer or distributor.



Stocked at Depot

ITEM	DESCRIPTION	COMMENTS	PART NUMBER	
28.1	Burn Rate Control Assembly		SRV7038-025	
28.2	Spring Handle, 1/4"	Qty: 2 Gold	832-0630	Y
		Qty: 1 Nickel	250-8340	Y
28.3	Knob		7000-343	
28.4	Air Control Rod Guide		7033-210	
28.5	Latch, Magnet		229-0631	
28.6	Control Arm Assembly Rear		SRV7038-004	
28.7	Timer Door Control Arm Assembly		SRV7038-019	
	Door Gasket		7033-282	Y
28.8	Timer (Only) Replacement Assembly		SRV480-1940	Y
28.9	Timer Arm Assembly		7033-034	Y
29.1	Pedestal Kit		PED-5700	
29.2	Ash Pan, Pedestal Model w/Door		SRV7038-010	
29.3	Trim, Oak Strips	Qty: 2	SRV472-0520	
	Component Pack, Pedestal, Step-Top (Includes Gasket For Ash Removal, Magnet & Fasteners)		7033-045	
	Leg Kit & Ash Removal System (ARS)	Black	LEG-3143-BK	
		No Longer Available	LEG-3143-GD	
		Nickel	LEG-3143-NL	
30.1	Leg Adapter Set (Bracket), Left & Right	Qty: 2	SRV7038-028	
30.2	Ash Pan Door Handle		7033-274	
	Ash Pan Leg Assembly		7033-008	
30.3	Ash Pan Leg - ARS		7033-050	
	Component Pack, Leg Step Top (Includes Gasket For Ash Removal, Magnet & Fasteners)		7033-048	
30.4	Legs, Queen Anne	Qty: 4	831-1240	
		Qty: 4	831-1250	
		Qty: 4	LEGS-QANL	

Additional service part numbers appear on following page.

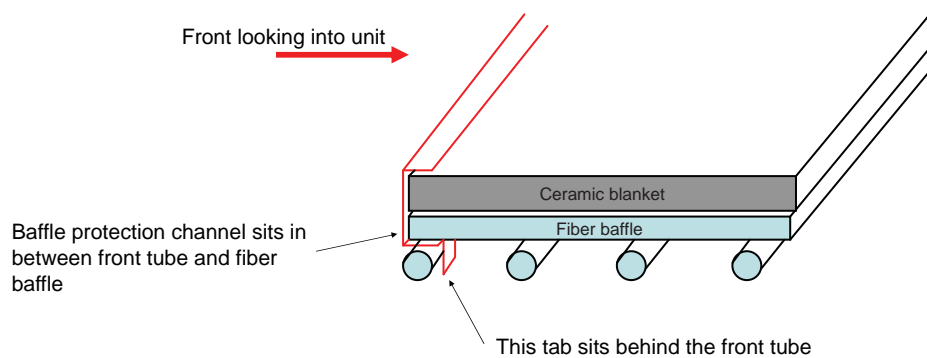
IMPORTANT: THIS IS DATED INFORMATION. Parts must be ordered from a dealer or distributor. **Hearth and Home Technologies does not sell directly to consumers.** Provide model number and serial number when requesting service parts from your dealer or distributor.



**Stocked
at Depot**

ITEM	DESCRIPTION	COMMENTS	PART NUMBER	
	Component Pack (Includes Touch-Up Paint, Owners Manual, Warranty Card & Access Cover Handle)		SRV7038-017	
	Handle, Access Cover		SRV7038-197	
	Paint Touch-Up		812-0910	
	Upgrade, Door, Nickel		UK-DRNL	
	Gasket, Manifold	Pkg of 4	7038-168/4	Y

Side view



Baffle Protection Channel

SRV7038-179

ACCESSORIES

	Blower Assembly		BK-ACC	
	Blower Control Box W/Switch		SRV7000-194	Y
	Component Pack		7033-051	
	Magnet Round		SRV7000-140	Y
	Snap Disc Bracket Assembly		7033-036	
	Snap Disc, # 1, Convection Blower		SRV230-0470	Y
	Speed Control Only (Rheostat)		842-0370	Y
	Wire Harness (Blower)		7033-262	
	Blower, Convection	Blower Only	812-4900	Y
	Outside Air Kit, Floor & Rear		OAK-ACC	
	Outside Air Collar Assembly		7033-039	
	Outside Air Shield		33271	Y

FASTENERS

	Avk Rivnut Repair Kit - 1/4-20 & 3/8-16 Rivnut Tools		RIVNUT-REPAIR	Y
	Nut, Ser Flange Small 1/4-20	Pkg of 24	226-0130/24	Y
	Screw, Pan Head Philips 8-32 X 3/8	Pkg of 40	225-0500/40	Y
	Screw, Sheet Metal #8 X 1/2 S-Grip	Pkg of 40	12460/40	Y
	Washer, 1/4 Sae	Pkg of 24	28758/24	Y