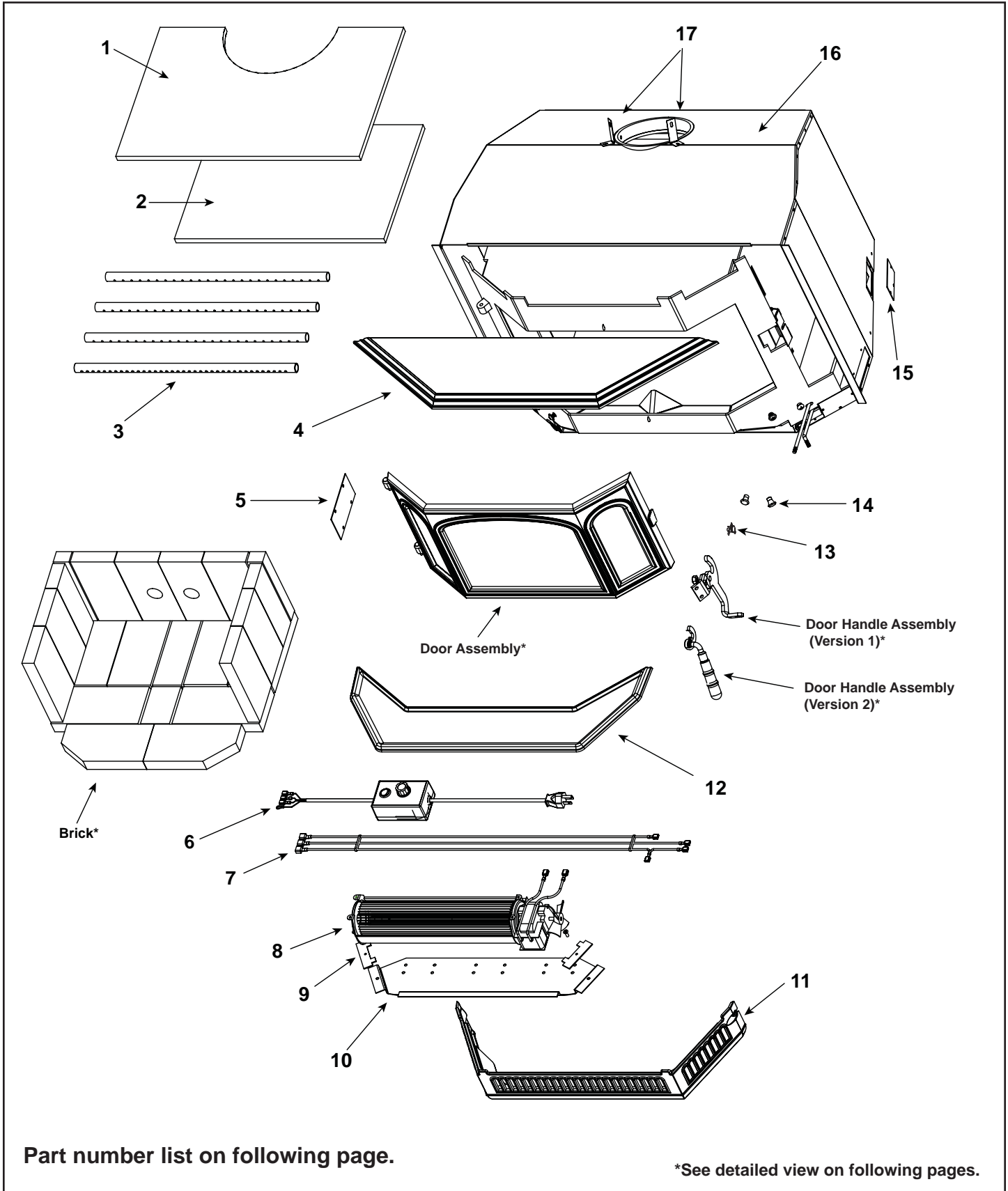


830-0390 (July 2002 - April 2004), 4100i-NL (Feb. 2003 - April 2004), 4100i-GD-B & 4100i-NL-B (April 2004 - Active)



IMPORTANT: THIS IS DATED INFORMATION. When requesting service or replacement parts for your appliance please provide model number and serial number. All parts listed in this manual may be ordered from an authorized dealer.

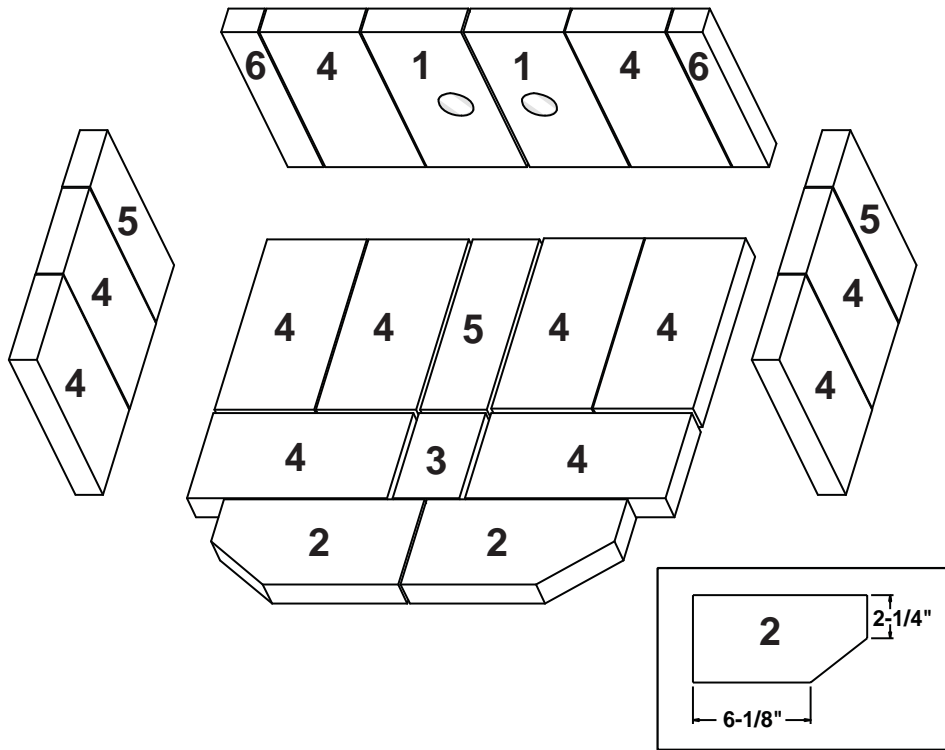


**Stocked
at Depot**

| ITEM | DESCRIPTION | COMMENTS | PART NUMBER | |
|-------------|--|--------------|--------------|---|
| 1 | Ceramic Fiber Blanket, 1/2" Thick | | 832-3390 | Y |
| 2 | Baffle, Fiberboard | | 832-3520 | Y |
| 3 | Manifold Tube Set | Set of 4 | 832-3530 | Y |
| | Manifold Clip/Screws | | 832-0661 | Y |
| 4 | Top, Cast | | 435-0300 | |
| 5 | Panel, Wire Access | | 435-0900 | |
| 6 | Blower Control Box w/Switch (Included wire harness) | Post 1453128 | SRV7000-194 | Y |
| 7 | Wire Harness Only | Pre 1453127 | 435-1420 | |
| 8 | Blower Replacement | Post 1451097 | 832-3491 | |
| 9 | Blower Mount Clamp | Qty: 2 Req. | 435-0400 | |
| 10 | Base, Blower Mount | Post 1451097 | 435-0320 | |
| 11 | Blower Housing Cast | | 435-0590 | |
| 12 | Ashcatcher, Cast | | 435-0310 | |
| 13 | Snap Disc, 110-20 degrees | | SRV230-1220 | Y |
| 14 | Knob, Air Control | | 32284 | Y |
| 15 | Outside Air Cover Plate | | 435-0290 | |
| 16 | Outer Top | | 435-0260 | |
| 17 | Flue Tab | | 438-0010 | |
| | Component Pack (Includes Owners Manual, Touch-Up Paint, Warranty Card, 2 Screws, Permanent Label "If Fireplace Altered") | | 435-5310 | |
| | Paint Touch-Up | | 7000-304 | |
| | Wire Extension, Blower, 12" | | 435-0920 | |
| ACCESSORIES | | | | |
| | Adjustable Hearth Support, 9" d x 45" w, 2"-10" High | | 841-0990 | |
| | Adjustable Hearth Support, 12" d x 50" w, 2"-10" High | | ADJSPT-12 | |
| | Trim Front | | 481-0160 | |
| | Trim Side | | 481-0090 | |
| | Panel & Trim, Small - 44.5 W x 30.5 H | Gold | SP-BB3044-GD | |
| | Bracket, -L-, Trim | Qty: 2 Req. | 832-0840 | |
| | Component Pack | | 435-5540 | |
| | Logo, Quadra-Fire | Gold | 200-3180 | |
| | Trim Set Only | Gold | 7000-007 | |
| | Panel & Trim, Small - 44.5 W x 30.5 H | Nickel | SP-BB3044-NL | |
| | Bracket, -L-, Trim | Qty: 2 Req. | 832-0840 | |
| | Component Pack | | 435-5550 | |
| | Logo, Quadra-Fire | Nickel | 200-3240 | |

Additional service part numbers appear on following page.

Brick Pattern

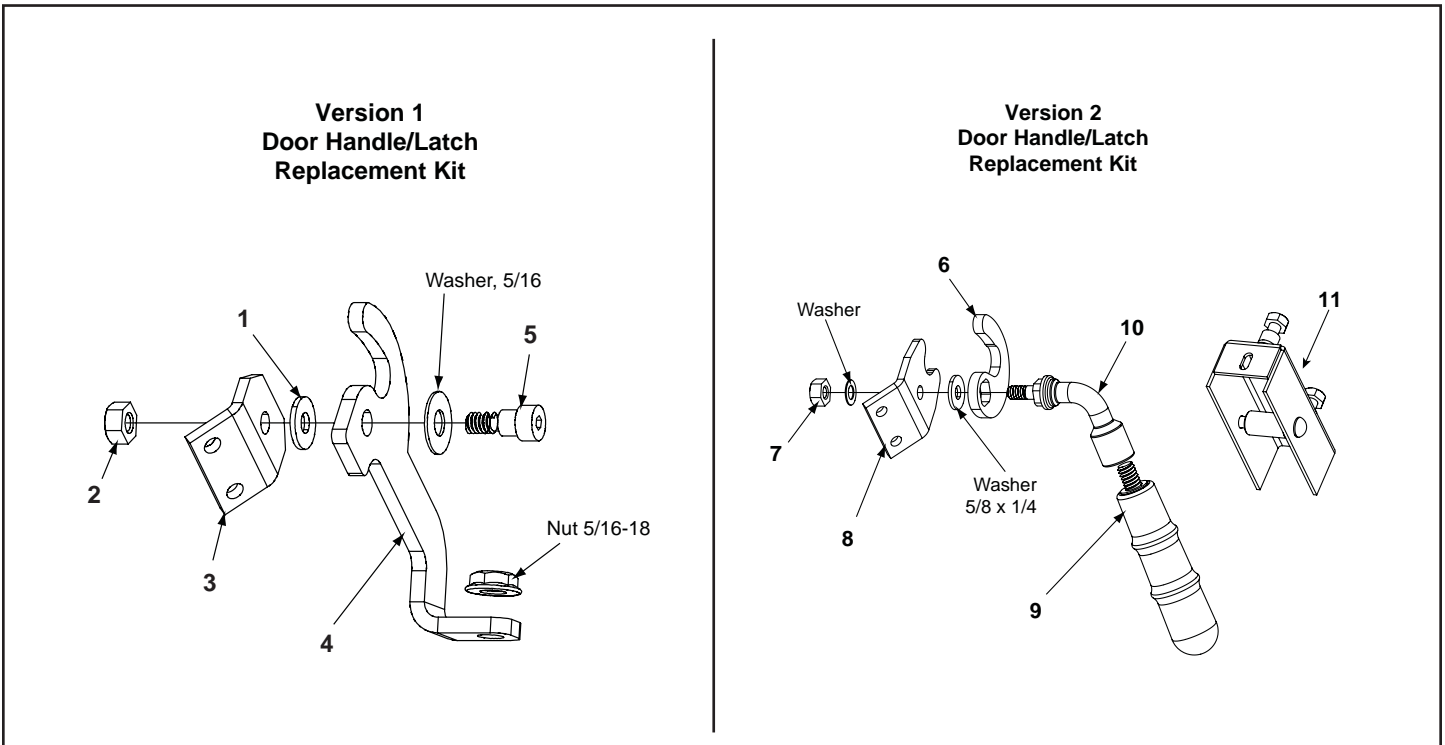


IMPORTANT: THIS IS DATED INFORMATION. When requesting service or replacement parts for your appliance please provide model number and serial number. All parts listed in this manual may be ordered from an authorized dealer.



Stocked at Depot

| ITEM | DESCRIPTION | COMMENTS | PART NUMBER | |
|------|------------------------------------|--------------|-------------|---|
| | Brick Set, Complete Assembly | Pkg of 20 | 832-3500 | Y |
| 1 | Brick w/Hole (9 x 4.5 x 1.25") | Pkg of 2 | SRV435-0800 | Y |
| 2 | Brick 2, Angle Cut (9 x 4 x 1.25") | Qty: 2 Req. | 832-0552 | Y |
| 3 | Brick 3, (4.5 x 3 x 1.25") | Qty. 1 Req. | 832-0553 | Y |
| 4 | Brick 4, (9 x 4.5 x 1.25") | Qty: 12 Req. | 832-0554 | Y |
| 5 | Brick 5, (9 x 3 x 1.25") | Qty: 3 Req. | 832-0555 | Y |
| 6 | Brick 6, (9 x 1.5 x 1.25") | Qty: 2 Req. | 832-0556 | Y |
| | Brick, Uncut (9 x 4.5 x 1.25") | Qty: 12 Req. | 832-0550 | Y |
| | Brick, Uncut (9 x 4.5 x 1.25") | Pkg. of 6 | 832-3040 | Y |



IMPORTANT: THIS IS DATED INFORMATION. When requesting service or replacement parts for your appliance please provide model number and serial number. All parts listed in this manual may be ordered from an authorized dealer.

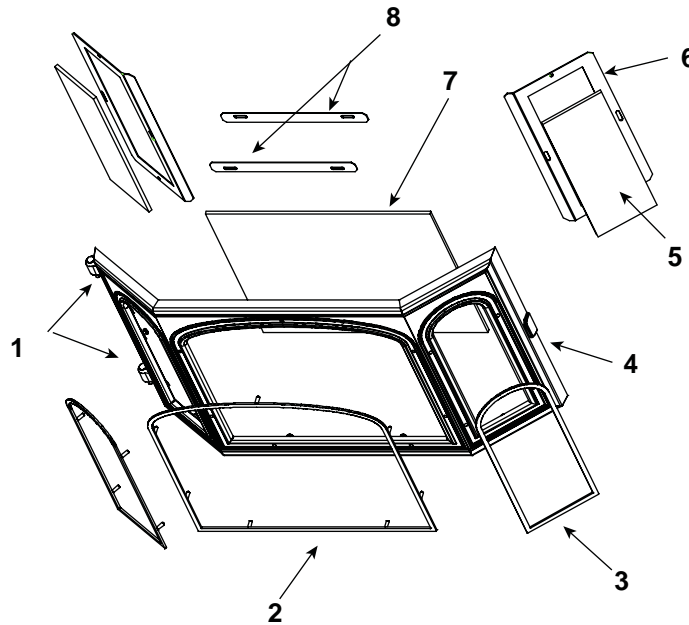


Stocked at Depot

| ITEM | DESCRIPTION | COMMENTS | PART NUMBER | |
|---------------------------------|---|------------|-------------|---|
| VERSION 1 - Pre 1452200 | | | | |
| | Door Handle/Latch Replacement Kit | | 832-3570 | Y |
| 1 | Washer, 1/4 Sae | Pkg. of 24 | 28758/24 | Y |
| 2 | Nut, Lock 1/4-20 | | 226-0090 | Y |
| 3 | Bracket, Door Latch | | 435-0910 | |
| 4 | Arm, Latch, Door | | 435-0250 | |
| 5 | Bolt, Shoulder, 5/16 x 1/4-20 | Pkg. of 20 | 223-0170/20 | Y |
| | Latch Box Assembly* must be ordered separately | | 435-5270 | Y |
| VERSION 2 - Post 1452200 | | | | |
| | Door Handle/Latch Replacement Kit | | SRV435-5510 | Y |
| 6 | Hook, Door Latch | | 435-1190 | Y |
| 7 | Nut, 1/4-20 Hex | | 7000-236 | |
| 8 | Bracket, Door Latch | | 435-1480 | |
| 9 | Fiber, Door Handle | | SRV433-1380 | Y |
| 10 | Arm, Latch, Door | | 435-1470 | |
| *11 | Latch Box Assembly | | 435-5270 | Y |
| | Bolt, Hex Head, 1/4-20 X 1 | Pkg. of 10 | 25221A/10 | Y |
| | Button Head Rivet M6 x 35 | Pkg. of 2 | 844-3290 | |

Additional service part numbers appear on following page.

Door Assembly w/Glass



IMPORTANT: THIS IS DATED INFORMATION. When requesting service or replacement parts for your appliance please provide model number and serial number. All parts listed in this manual may be ordered from an authorized dealer.



Stocked at Depot

| ITEM | DESCRIPTION | COMMENTS | PART NUMBER | |
|------|---|-----------------|-------------|---|
| | Door Assembly w/Glass (Version 1) Pre 1452200 | Gold Trim | 435-5190 | |
| | | Nickel Trim | 435-5300 | |
| | Door Assembly w/Glass (Version 2) Post 1452200 | Gold Trim | 435-5340 | |
| | | Nickel Trim | 435-5390 | |
| 1 | Hinge Pin (Rivet M6 x 35 Button Head) | Gold | 72171 | Y |
| | | Nickel | 433-1590 | Y |
| 2 | Trim Ring, Front | Gold | 435-0570 | |
| | | Nickel | 435-0990 | |
| 3 | Trim Ring, Side | Gold | 435-0580 | |
| | | Nickel | 435-1000 | |
| 4 | Door Frame, Cast | | 435-0050 | |
| 5 | Glass Assembly Side (1 piece) | | 435-5480 | Y |
| 6 | Glass Frame, Side | Right or Left | 435-0950 | |
| 7 | Glass Assembly Front | | 435-5470 | Y |
| 8 | Glass Frame | | 435-0960 | |
| | Gasket, Glass Tape, 3/4" - Field Cut to Size | 5 FT Length | 832-0460 | Y |
| | Nut, Keps Lock, 8-32 | FT Length | 226-0060/40 | Y |
| | Rope, Door, 5/8" x 96 - Field Cut to Size | Qty. 8 Ft. Req. | 842-1420 | |
| | Screw, Pan Head Philips 10-32 X 3/8 | Pkg. of 40 | 21799A/40 | Y |
| | Screw, Pan Head Philips 8-32 X 3/8 | Pkg. of 40 | 225-0500/40 | Y |