

Part number list on following page.

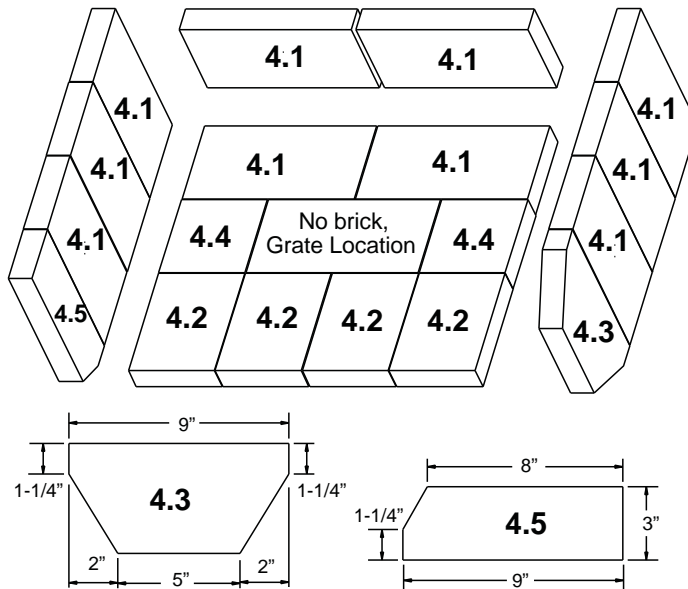
IMPORTANT: THIS IS DATED INFORMATION. Parts must be ordered from a dealer or distributor. **Hearth and Home Technologies does not sell directly to consumers.** Provide model number and serial number when requesting service parts from your dealer or distributor.



Stocked at Depot

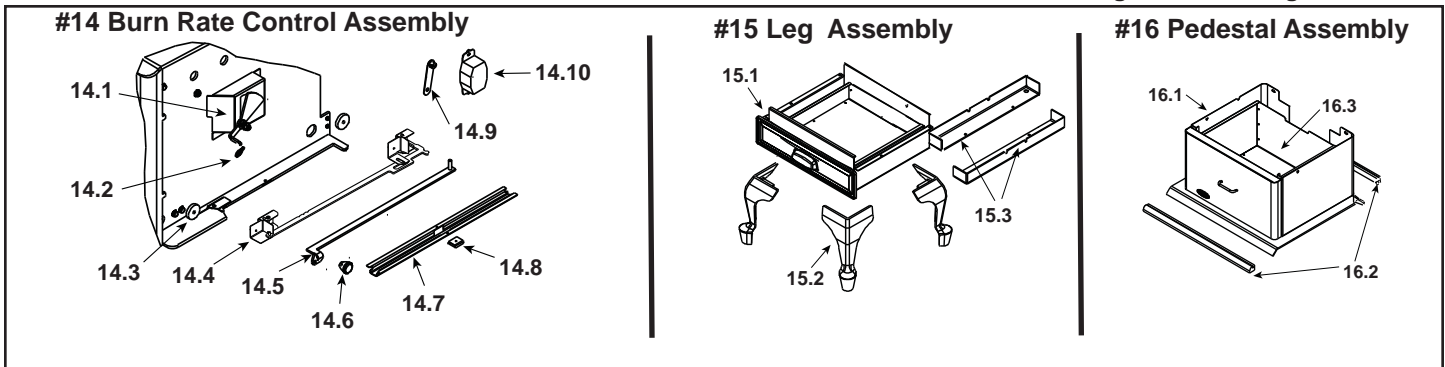
ITEM	DESCRIPTION	COMMENTS	PART NUMBER
1	Air Channel, Convection w/Bracket (Retain Original SN Label)		SRV7033-144
2	Air Supply Back		SRV7033-134
3	Panel Assembly, Side, Left		7033-038

#4 Brick Set Assembly



4	Brick Assembly - Complete Set	Pkg of 18	SRV7033-032	
4.1	Brick, 9 x 4-1/2 x 1-1/4"	Qty. 10 Req.		
4.2	Brick, 6 x 4-1/2 x 1-1/4"	Qty. 4 Req.		
4.3	Brick, 9 x 4-1/2 x 1-1/4" w/angles, see diagram	Qty. 1 Req.		
4.4	Brick, 4-1/2 x 4-1/2 x 1-1/4"	Qty. 2 Req.		
4.5	Brick, 9 x 3 x 1-1/4" w/angle, see diagram	Qty. 1 Req.		
	Brick, Uncut	Pkg of 1	832-0550	
		Pkg of 6	832-3040	
5	Tube Support Rack		7033-148	
6	Brick Retainer		7033-149	
7	Ceramic Fiber Blanket, 1/2" Thick (19" W x 13-3/4" H)		832-3390	Y
8	Baffle Board - 9-1/2 in W x 13-3/4 in H	Pkg of 2	SRV7033-209	Y
9	Rear Channel Assembly		7033-002	Y
10	Access Cover		SRV7038-196	
	Handle, Access Cover		SRV7038-197	
11	Panel Assembly, Side, Right		7033-037	
12	Tube Channel Top - Tube Channel Access Cover		SRV7033-237	
13	Tube, Channel Assembly	Manifold Tubes	SRV7033-023	Y

Additional service part numbers appear on following page.



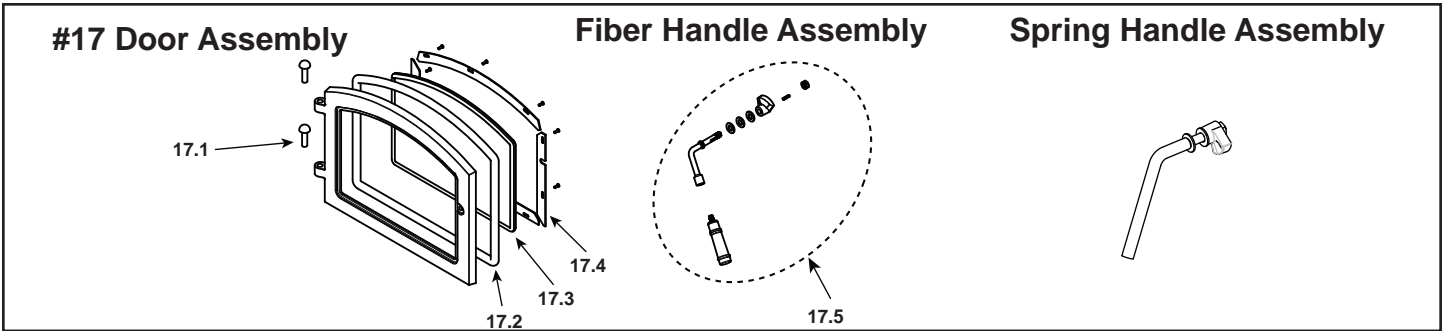
IMPORTANT: THIS IS DATED INFORMATION. Parts must be ordered from a dealer or distributor. **Hearth and Home Technologies does not sell directly to consumers.** Provide model number and serial number when requesting service parts from your dealer or distributor.



**Stocked
at Depot**

ITEM	DESCRIPTION	COMMENTS	PART NUMBER	
14.1	Burn Rate Control Assembly		7033-033	Y
14.2	Spring Handle, Air Control 1/4"	Black (Qty 1)	SRV7000-614	Y
		Gold (Pkg of 2)	832-0630	Y
		Nickel (Qty 2 req)	250-8340	Y
14.3	Door Gasket - Front & Rear Air Timer Doors		7033-282	Y
14.4	Timer Air Control Assembly		SRV7033-052	Y
	Rear Air Door Assembly		7033-024	Y
14.5	Rear Air Control Arm Assembly		7033-035	Y
14.6	Start-Up Control Knob		7000-343	
14.7	Air Control Rod Guide		7033-210	
14.8	Latch, Magnet	For Air Control	229-0631	
14.9	Timer Arm Assembly		7033-034	Y
14.10	Timer (Only) Replacement Assembly		SRV480-1940	Y
15.1	Ash Pan Assembly		7033-008	
	Ash Pan Leg - ARS		7033-050	
15.2	Legs, Queen Anne	Black	831-1240	
		Gold	831-1250	
		Nickel	LEGS-QANL	
15.3	Leg Mount Brackets	Pkg of 2	SRV7033-183	
	Pedestal	For Air Control	PED-3143	
16.1	Pedestal Assembly		7033-013	
16.2	Strip, Oak Trim		832-0560	
	Door Assembly - ARS		SRV7033-015	Y
	Ash Pan Door Handle - ARS		7033-274	
16.3	Ashpan Assembly		7033-010	
	Component Pack (Includes Gasket for Ash Removal, Magnet and Fasteners)	Leg	7033-048	
		Pedestal	7033-045	
	Gasket - ARS		SRV7033-296	Y
	Latch, Handle Assembly - ARS		SRV7033-047	Y
	Magnet Round		SRV7000-140	Y

Additional service part numbers appear on following page.

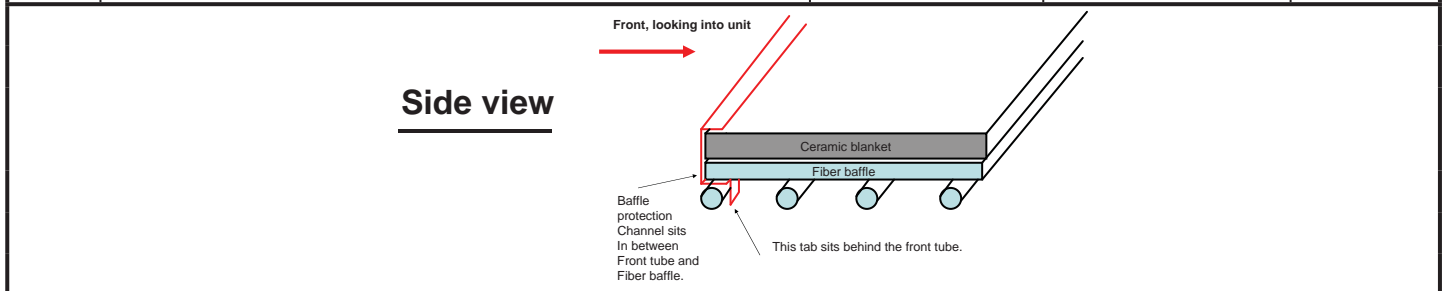


IMPORTANT: THIS IS DATED INFORMATION. Parts must be ordered from a dealer or distributor. **Hearth and Home Technologies does not sell directly to consumers.** Provide model number and serial number when requesting service parts from your dealer or distributor.



Stocked at Depot

ITEM	DESCRIPTION	COMMENTS	PART NUMBER	
17	Door Assembly	Black	DR-31/43BK-FH	
		Nickel	DR-31/43NL-FH	
17.1	Hinge Pins, 1/2"	Black (Pkg of 2)	7000-606/2	
		Gold (Pkg of 2)	832-0250	
		Nickel (Qty 2 req)	430-5320	
17.2	Rope, Door, 3/4" X 84" - Field Cut to Size	7 Ft	832-1680	Y
17.3	Door Glass Assembly - 15-1/2 in. W x 13-3/8 in H		7000-012	Y
	Gasket, Glass Tape - Field Cut to Size	5 Ft	832-0460	Y
17.4	Glass Frame Set	4 Pieces	832-0350	
17.5	Door Handle Assembly	Spring	832-0540	Y
		Fiber	SRV7033-071	
	Spring Handle, Door 1/2"	Gold	832-0620	Y
		Nickel	250-8330	Y
	Cam Latch		430-1141	
	Key, Cam Latch		430-1151	
	Nut, Locking Door Handle	Pkg of 24	226-0100/24	Y
	Screw, Flat Head Philips 8-32 X 1/2	Pkg of 10	832-0860	Y
	Washer, Sae, 3/8	Pkg of 3	832-0990	Y
	Trim, Ring, Door	No longer available	430-2682	
		No longer available	430-5340	
	Upgrade, Door, Nickel		UK-DRNL	



18	Baffle Protection Channel		SRV7033-298	
----	---------------------------	--	-------------	--

Additional service part numbers appear on following page.

IMPORTANT: THIS IS DATED INFORMATION. Parts must be ordered from a dealer or distributor. **Hearth and Home Technologies does not sell directly to consumers.** Provide model number and serial number when requesting service parts from your dealer or distributor.



**Stocked
at Depot**

ITEM	DESCRIPTION	COMMENTS	PART NUMBER	
	Blower, Convection - Replacement Blower		812-4900	Y
	Channel, Ash Removal	Step-Top	7033-172	
	Component Pack (Includes Spring Handles (1) 1/2" & (2) 1/4", (2) Hinge Pins, Quadra-Fire Logo)	Gold Trim Doors	436-5350	
		Nickel Trim Doors	436-5360	
	Hinge Pins, 1/2" (Qty 2)	Gold	832-0250	
		Nickel	430-5320	
	Logo, Quadra-Fire, Black	Pkg of 10	7000-694/10	
	Spring Handle, 1/4"	Gold (Pkg of 2)	832-0630	Y
		Nickel (Qty 2 req)	250-8340	Y
	Component Pack, Step Top, (Touch-Up Paint, Owners Manual & Warranty Card). Spring Handles in Door Assembly.		7033-043	
	Component Pack (Includes Touch-Up Paint, Spring Handles (1) 1/2" and (2) 1/4", Trimount Plug, Owners Manual and Warranty Card).	Black & Gold Trim	7033-027	
		Nickel Trim	7033-029	
	Paint Touch-Up		812-0910	
	Plug, Trimount, .250"	Pkg of 24	229-0880/24	Y
	Gasket, Manifold	Pkg of 4	7038-168/4	Y
	Label, Burn Rate Air Control		7033-160	
	Label, Start-Up Air Control		7033-166	
ACCESSORIES				
	Blower Assembly		BK-ACC	
	Blower Control Box w/Switch		SRV7000-194	Y
	Component Pack		7033-051	
	Snap Disc Bracket Assembly		SRV7033-036	
	Snap Disc, # 1, Convection Blower		SRV230-0470	Y
	Wire Harness, Blower		7033-262	
	Leg Kit & Ash Removal System (ARS)	Black	LEG-3143-BK	
		No longer available	LEG-3143-GD	
		Nickel	LEG-3143-NL	
	Outside Air Kit, Floor & Rear		OAK-ACC	
	Outside Air Collar Assembly		7033-039	
	Outside Air Shield		33271	Y
	Outside Air Cover Plate Assembly		SRV7033-041	Y
FASTENERS				
	Bolt, Hex Head, 1/4-20 x 1	Pkg of 10	25221A/10	Y
	Button Head 1/4-20 x .5	Pkg of 20	32328/20	Y
	Nut, Keps Lock, 10-32	Pkg of 40	226-0050/40	Y
	Nut, Keps Lock, 8-32	Pkg of 40	226-0060/40	Y
	Nut, Ser Flange Small 1/4-20	Pkg of 24	226-0130/24	Y
	Screw, Sheet Metal #8 x 1/2 S-Grip	Pkg of 40	12460/40	Y