



# SPEC SHEET

PUBLISHED DEC. 2020

Centennial Woods, LLC · 1551 West Harrison Street · Laramie, WY 82070

P : 307.742.3672 · F : 307.742.3549 · E : info@centennialwoods.com · Web: centennialwoods.com

## PRODUCT DESCRIPTION

**BASIC USE :** Centennial Woods offers naturally weathered reclaimed wood products for interior and exterior design applications. The aged wood has an appearance suited for exterior siding, interior walls, ceilings, fixtures and furniture. All products are FSC® Recycled 100%, untreated, free of toxins, lead paint, and animal waste — making it safe for residential and commercial use.

**MATERIAL ORIGIN :** Centennial Woods products come from a single source called “Snow Fence”, which the company builds near roadways and on the open ranges of Wyoming. Snow fences are constructed using fresh boards, of a high altitude pine species. The wood is aged naturally during a 7–10 year long weathering cycle prior to the reclamation process. During this time, Centennial Woods also performs maintenance, keeping the fences in good repair.

**COMPOSITION & SIZES :** Products are sold in consistent dimensions. (See *Table*).

**COLORS:** The naturally weathered patina presents a range of gray and brown tones from light to dark, with a mix of cinnamon hues, as well as some blacks. No paints or chemicals are used on the natural wood. Ferrous staining may be present in nail holes. Alternative tones and finish options are created through various sanding techniques (e.g. - flap sanding, skip planing), paints, and stains. Custom finishes available upon request.

**SEALANT OPTIONS :** NOTE - Sealant options do not change patina or look of wood.

- Sealant - Centennial Seal™
- Fire Retardant - Flamestop II®
- Fungicide & Mitigation

**ADDITIONAL PRODUCT INFORMATION AVAILABLE UPON REQUEST.**

## TECHNICAL DATA

**PHYSICAL CHARACTERISTICS :** Centennial Woods' products have low VOC discharge and possess medium hardness typical of pine species.

**MOISTURE CONTENT :** Moisture content ranges from four to eight percent.

**PHYSICAL PROPERTIES :** Class: Only Centennial Woods' products appropriately treated with Flamestop II® fire retardant can be considered Class A. Without Flamestop II® treatment, Weathered Wood Nominal 1x6 is considered Class B, all other milled products are considered Class C.

## TECHNICAL SERVICES

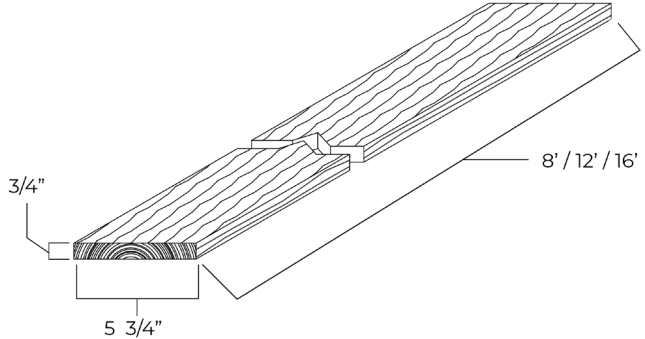
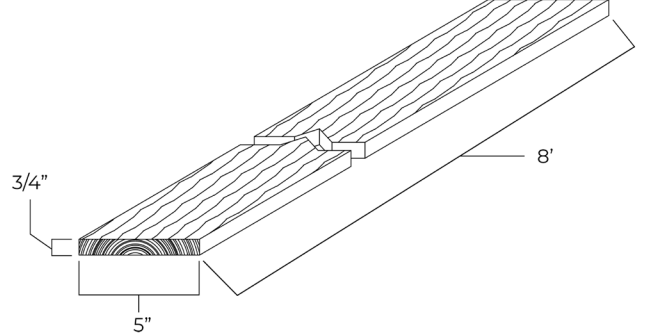
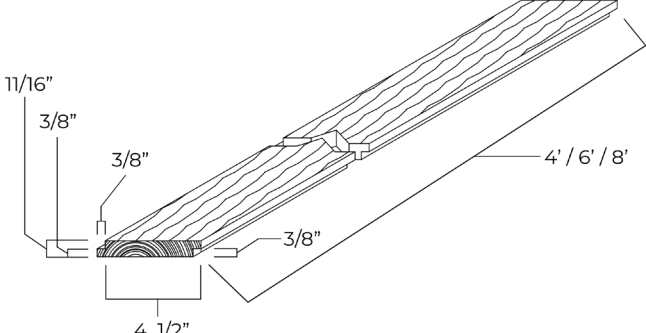
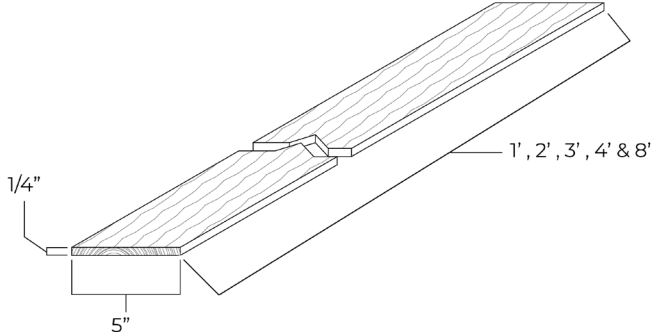
Technical assistance, detailed information, product literature, project lists, specification assistance and design assistance is offered by the manufacturer. For questions about code regulations, product usage or product installation, visit : centennialwoods.com

## FILING SYSTEMS

- Forest Stewardship Council (FSC)
- United States Green Building Council (USGBC)

## LIMITATIONS & WARRANTY

While naturally weathered, reclaimed Wyoming snow fence wood has high physical integrity, it does contain checks, marks, knotholes, nail-heads, occasional warping typical of lumber. Color and patina will vary. Please allow for these natural traits when designing the application. We stand behind our wood and the work of our craftsmen. If you are unhappy with the performance of our reclaimed wood products, please contact us directly to help come up with a reasonable solution for all involved.

<p><b>WEATHERED WOOD NOMINAL 1x6</b>  Weathered Edges  Available With or Without Nail-heads  Average Dimensions : 3/4" x 5 3/4"  Standard Lengths : 8' / 12' / 16'  Weight: 1.1 LBS per Lineal Foot</p>	
<p><b>WEATHERED WOOD CONSISTENT - "S3S"</b>  Straight Edges and Consistent Thickness  Standard Dimensions: 3/4" x 5"  Standard Lengths : 8'  Weight : .8 LBS Per Lineal Foot</p>	
<p><b>SHIPLAP</b>  Rabbeted Top Edge, Recessed Bottom Edge  Milled to Create Clean Joint Between Boards  Standard Dimensions : 11/16" x 4 1/2" Reveal  Standard Lengths : 8'  Weight: .8 LBS Per Lineal Foot</p>	
<p><b>PANELING</b>  Straight Edges and Consistent Thickness  Standard Dimensions : 1/4" Thick x 5" Wide  Boxed Lengths: Varied 1' / 2' / 3' / 4' Planks  Standard Lengths: 8'</p>	

## INSTALLATION

**Preparatory :** Ensure that site conditions and substrates are acceptable prior to installation. Wood products should be covered and kept dry during shipping and storage. Acclimate in accordance with best practices in project's geographic location.

**Methods :** Install in compliance with requirements of applicable building codes and product recommendations.

## CUSTOMIZATION & OPTIONS

Custom milling, dimensions, length cuts, and finishes available in most cases.

Please contact Centennial Woods for more information about all options.