



KING KING CANADA

1,500 WATT HEAT GUN KIT



MODEL: 8300N

INSTRUCTION MANUAL

COPYRIGHT © 2011 ALL RIGHTS RESERVED BY KING CANADA TOOLS INC.



WARRANTY INFORMATION

**2-YEAR
LIMITED WARRANTY
FOR THIS HEAT GUN KIT**

**KING CANADA TOOLS
LIMITED WARRANTY FOR
NON COMMERCIAL USE.**

PROOF OF PURCHASE

Please keep your dated proof of purchase for warranty and servicing purposes.

LIMITED TOOL WARRANTY

King Canada makes every effort to ensure that this product meets high quality and durability standards. King Canada warrants to the original retail consumer a 2-year limited warranty as of the date the product was purchased at retail and that each product is free from defects in materials. Warranty does not apply to defects due directly or indirectly to misuse, abuse, normal wear and tear, negligence or accidents, repairs done by an unauthorized service center, alterations and lack of maintenance. King Canada shall in no event be liable for death, injuries to persons or property or for incidental, special or consequential damages arising from the use of our products.

To take advantage of this limited warranty, return the product at your expense together with your dated proof of purchase to an authorized King Canada service center. Contact your retailer or visit our web site at www.kingcanada.com for an updated listing of our authorized service centers. In cooperation with our authorized serviced center, King Canada will either repair or replace the product if any part or parts covered under this warranty which examination proves to be defective in workmanship or material during the warranty period.

NOTE TO USER

This instruction manual is meant to serve as a guide only. Specifications and references are subject to change without prior notice.

KING CANADA INC. DORVAL, QUÉBEC, CANADA H9P 2Y4

www.kingcanada.com

GENERAL & SPECIFIC SAFETY INSTRUCTIONS



1. KNOW YOUR TOOL

Read and understand the owners manual and labels affixed to the tool. Learn its application and limitations as well as its specific potential hazards.

2. Don't use power tools in damp or wet locations or expose them to rain. Keep work area well lit and provide adequate surrounding work space.

3. USE RIGHT TOOL.

Don't force the tool or the attachment to do a job for which it was not designed.

4. MAINTAIN TOOL WITH CARE.

Keep tool clean for best and safest performance. Follow instructions for operation and changing accessories.

5. USE RECOMMENDED ACCESSORIES.

Only use recommended accessories. Follow the instructions that accompany the accessories. The use of improper accessories may cause hazards.

6. CHECK FOR DAMAGED PARTS.

Before further use of the tool, parts that are damaged should be carefully checked to ensure they will operate properly and perform their intended function. Check for alignment of moving parts, breakage of parts, mounting, and any other conditions that may affect its operation. Parts which are damaged should be properly repaired or replaced.

SPECIFIC SAFETY PRECAUTIONS

Keep Away From Flammables or Combustibles

Never operate this tool near flammables or combustibles. Failure to comply may cause serious injury or death.

Never Touch Heat Nozzle with Hands After Heating

Nozzle retains elevated temperature long after tool has been turned off. Do not rest nozzle on or near any flammable objects.

Never Point Heat Gun at People or Animals

Maximum heat output approaches **540°C!** Do not attempt to use this tool as a hair dryer or similar device.

Use a Respirator or Face Mask

Failure to use a respirator device for some applications may be hazardous to your health. Paint fumes and other gaseous materials are harmful. Always keep work areas well ventilated. If you have any doubt about whether or not a respirator or face mask is needed, it would be wise to wear one.

ALWAYS ALLOW THE TOOL TO COOL DOWN BEFORE STORAGE

Do Not Restrict the Flow of Air

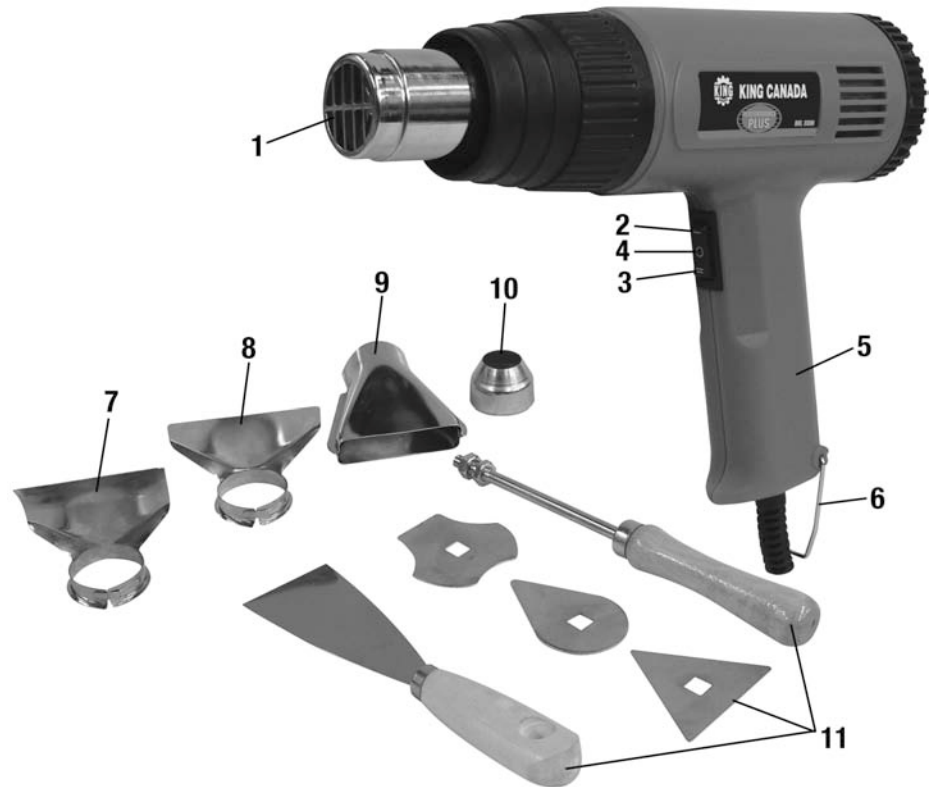
Do not restrict the flow of air in or out of the tool. Nozzles that are not designed for use with this tool can cause it to overheat.



GETTING TO KNOW YOUR HEAT GUN KIT

Specifications

Model.....8300N
Voltage110V, 1 phase, 60Hz
Motor1,500W, 12.5Amps
Dual power settingsI=375°C (700°F) @ 1,000W /II=540°C (1,000°F) @ 1,500W
Air speedI=13.2 CFM @ 1,000W /II=19.5 CFM @ 1,500W



- 1) Heat emitter
- 2) I/300°C Setting
- 3) II/500°C Setting
- 4) 0/OFF Setting
- 5) Heat gun grip
- 6) Heat gun hanger

- 7) Reflector nozzle
- 8) Window/glass nozzle
- 9) Reduction nozzle
- 10) Reduction nozzle
- 11) Paint scraper kit (5pcs.)

ATTACHMENTS & OPERATION PROCEDURES



ATTACHMENTS AND USAGE

Warning: Never install or remove attachments when heat gun is turned on or is hot.

1. Window/Glass / Wide Nozzle - This nozzle is helpful for working in areas where heat must be deflected away from glass panes. Heat is focused in a wide pattern, but deflected to protect panes of glass, etc. from overheating and cracking.

2. Reflector Nozzle - This nozzle can be used to wrap around piping, shrink wrap, and other cylindrical work areas to radiate and reflect heat.

3. Reduction Nozzles - These nozzles promote a focused blast of heat. When direct, controlled heat application is required, use reduction nozzles.

4. Paint Scraper Kit - Included are three scraper blades and a scraper handle. One for flat surfaces, one for concave surfaces and one for convex surfaces. Install appropriate blade for your work surface to scraper handle. Apply heat to your work surface and scrape with blade as needed. Never use scraper blades without the help of the scraper handle.

OPERATING PROCEDURES

1. Plug tool into standard 110V wall socket.
2. It is advisable to always begin at the lower setting (I).
3. For lower heat settings (375°C) toggle trigger switch to upward LOW (I) position. For higher heat setting (540°C) toggle trigger switch to downward HIGH (II) position.
4. Direct nozzle at materials. Never aim nozzle at people, animals, or flammable materials.
5. Hold the nozzle a minimum of 2" from the work surface.
6. When finished return trigger switch to center OFF (0) position.
7. When finished, unplug the tool.
8. Allow the tool to cool, setting it down on the black intake cap at the back of the tool, with the nozzle pointing up and the metal tool hanger loop supporting the handle.

Paint Removal

1. Select the flat paint scraper or, by bolting a scraper blade matching the profile you are stripping, to the handle supplied, assemble the shavehook style paint scraper.
2. Hold the nozzle a minimum of 2" from the painted surface.
3. Always begin at the lower heat setting.
4. Keep the gun moving from side to side or back and forth until the paint shows blisters and bubbles. Immediately use the scraper and remove what paint comes off easily.
5. Develop a continuous routine of following the application of heat with the scraper.
6. Be careful not to burn the paint. This makes it more difficult to remove.
7. When working adjacent to glass, use the window nozzle to prevent cracking the glass.
8. Clean the scraper blades after use.



OPERATION PROCEDURES & MAINTENANCE

Thawing Pipes

- Use the reflector nozzle. Begin heating from one or another end of the frozen part of the pipe, not from the middle.
- Do not thaw plastic pipes.

Warning: Make sure the pipe you are heating contains water. Gas pipes can present a serious explosion hazard!

Shrink Tubing

1. Use the reflector nozzle.
2. Use the lower heat setting.
3. Move the heat gun back and forth along the shrink tubing, heating as evenly as possible.

Plastics

- Plastics can change state quickly. Use a low heat setting and apply heat gradually and evenly when welding or bending plastics.
- Be careful of burns from the molten material. Do not attempt to remove molten plastic from a burn. Apply running cold water for at least 10 minutes and get medical help.

Thermal protector

This heat gun is equipped with a thermal protector (A) Fig.1. If overheating occurs, it will automatically turn the heat gun off. If this occurs, unplug the heat gun from the power source and allow it to cool down before attempting to turn it back on.

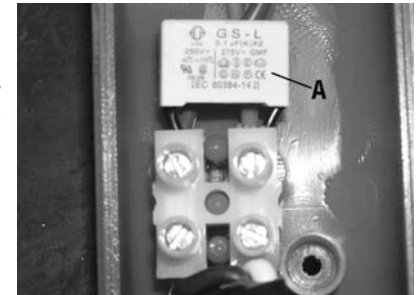


Figure 1

Maintenance

- Keep the tool housing clean, free of oil, and grease using mild soap and a damp (not wet) cloth. Do not let solvents like brake fluid, gasoline, petroleum-based products, etc., contact plastic parts of the housing. Cleaning with these substances can harm the plastic and compromise the integrity of the double insulating system.
- Keep the vents clear of dust and debris. A shot of compressed air is ideal. This will ensure proper cooling.
- Inspect the cord regularly and have it replaced by an authorized repair facility if it is damaged.

PARTS DIAGRAM & PARTS LISTS

Refer to the Parts section of the King Canada web site for the most updated parts diagram and parts list.