

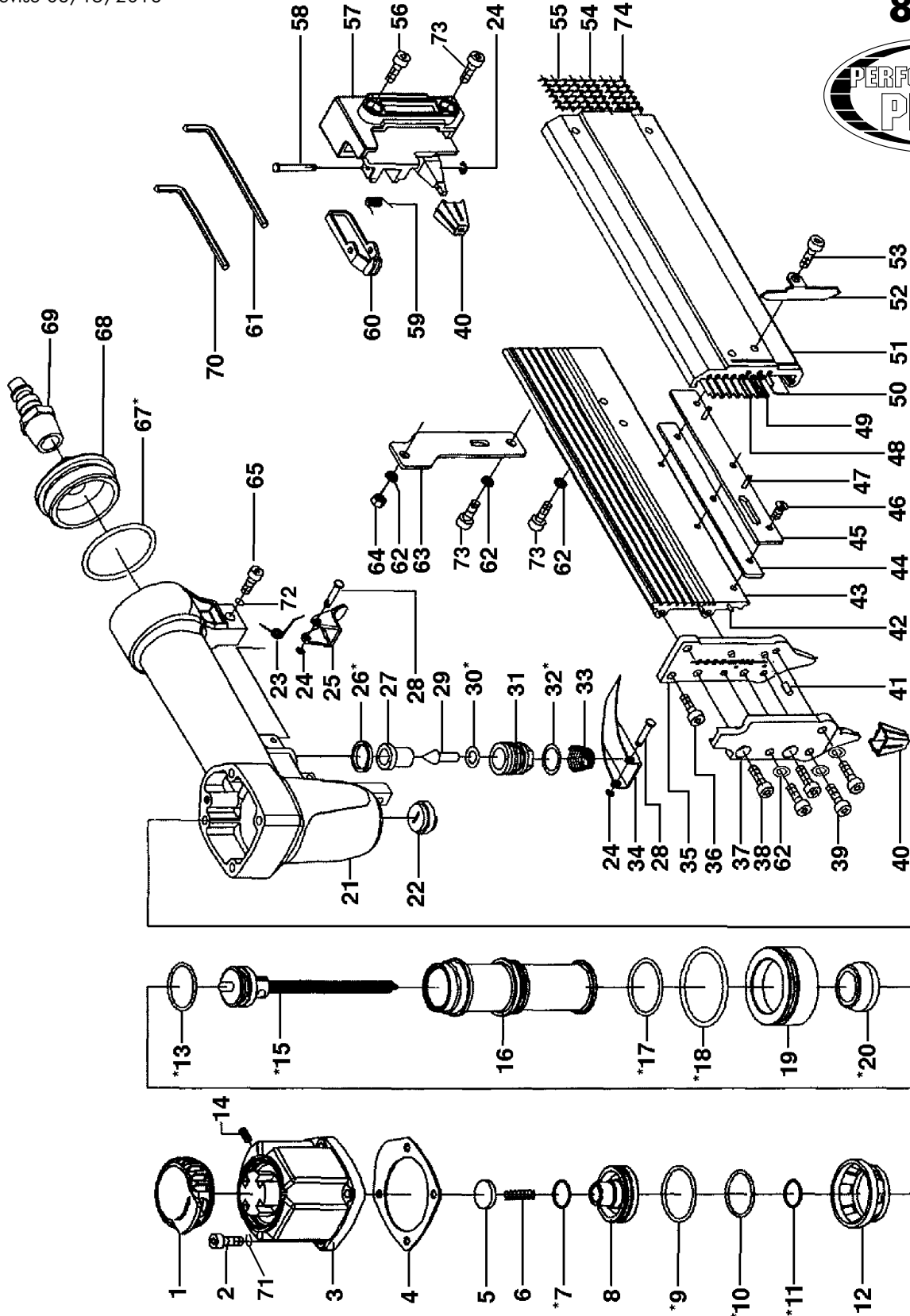


Service Manual / Manuel de Service
23 Ga. Headless Pin Nailer Kit
Cloueuse à Goupilles Sans Têtes 23 Ja.



Revised/Revisé 03/15/2018

8251PN





Parts Pricing List / Liste de Prix des Pièces

8251PN

Diag.	Order # Com.	English Description	Description Française	Qty./Qté.	Price/Prix
1	74-82510010	EXHAUST COVER	COUVERCLE D'ECHAPPEMENT	1	\$7.31
2	74-82510020	CAP SCREW	BOULON A TETE CYLINDRIQUE	4	\$3.33
3	74-82510030	CYLINDER CAP	CAPUCHON DU CYLINDRE	1	\$22.47
4	74-82510040	GASKET	JOINT D'ETANCHEITE	1	\$6.57
5	74-82510050	SEAL	SCEAU D'ETANCHEITE	1	\$5.09
6	74-82510060	SPRING	RESSORT	1	\$6.02
7	KW-103	BUMPER/DRIVER/O-RING REPL. KIT	TROUSSE DE REMPL. TIGE/AMOR./JOINT	1	-
8	74-82510080	VALVE	SOUPAPE	1	\$14.72
9	KW-103	BUMPER/DRIVER/O-RING REPL. KIT	TROUSSE DE REMPL. TIGE/AMOR./JOINT	1	-
10	KW-103	BUMPER/DRIVER/O-RING REPL. KIT	TROUSSE DE REMPL. TIGE/AMOR./JOINT	1	-
11	KW-103	BUMPER/DRIVER/O-RING REPL. KIT	TROUSSE DE REMPL. TIGE/AMOR./JOINT	1	-
12	74-82510120	COLLAR	COLLIER	1	\$9.16
13	KW-103	BUMPER/DRIVER/O-RING REPL. KIT	TROUSSE DE REMPL. TIGE/AMOR./JOINT	1	-
14	74-82510140	SPECIAL SET SCREW	VIS A TETE SPECIALE	1	\$3.61
15	KW-103	BUMPER/DRIVER/O-RING REPL. KIT	TROUSSE DE REMPL. TIGE/AMOR./JOINT	1	-
16	74-82510160	CYLINDER	CYLINDRE	1	\$32.13
17	KW-103	BUMPER/DRIVER/O-RING REPL. KIT	TROUSSE DE REMPL. TIGE/AMOR./JOINT	1	-
18	KW-103	BUMPER/DRIVER/O-RING REPL. KIT	TROUSSE DE REMPL. TIGE/AMOR./JOINT	1	-
19	74-82510190	RING	BAGUE	1	\$11.19
20	KW-103	BUMPER/DRIVER/O-RING REPL. KIT	TROUSSE DE REMPL. TIGE/AMOR./JOINT	1	-
21	74-82510210	BODY	CORPS	1	\$46.21
22	74-82510220	UPPER DRIVER GUIDE	GUIDE DE LA TIGE DU HAUT	1	\$7.31
23	74-82510230	TORSION SPRING	RESSORT A TORSION	1	\$3.61
24	74-82510240	"E" RETAINING RING	ANNEAU DE RETENU EN "E"	3	\$2.50
25	74-82510250	SAFETY TRIGGER	GACHETTE DE SECURITE	1	\$5.46
26	KW-103	BUMPER/DRIVER/O-RING REPL. KIT	TROUSSE DE REMPL. TIGE/AMOR./JOINT	1	-
27	74-82510270	TRIGGER VALVE HEAD	TETE DE LA SOUPAPE/GACHETTE	1	\$6.39
28	74-82510280	TRIGGER PIN	GOUPILLE DE LA GACHETTE	2	\$4.72
29	74-82510290	TRIGGER VALVE STEM	TIGE DE LA SOUPAPE/GACHETTE	1	\$4.35
30	KW-103	BUMPER/DRIVER/O-RING REPL. KIT	TROUSSE DE REMPL. TIGE/AMOR./JOINT	1	-
31	74-82510310	TRIGGER VALVE GUIDE	GUIDE DE LA SOUPAPE/GACHETTE	1	\$5.46
32	KW-103	BUMPER/DRIVER/O-RING REPL. KIT	TROUSSE DE REMPL. TIGE/AMOR./JOINT	1	-
33	74-82510330	TRIGGER SPRING	RESSORT DE LA GACHETTE	1	\$5.09
34	74-82510340	TRIGGER	GACHETTE	1	\$7.31
35	74-82510350	LOWER DRIVER GUIDE	GUIDE DE LA TIGE DU BAS	1	\$24.08
36	74-82510360	CAP SCREW	BOULON A TETE CYLINDRIQUE	2	\$3.24
37	74-82510370	FRONT PLATE	PLAQUE AVANT	1	\$19.25
38	74-82510380	CAP SCREW	BOULON A TETE CYLINDRIQUE	2	\$3.24
39	74-82510390	CAP SCREW	BOULON A TETE CYLINDRIQUE	3	\$3.06
40	74-82510400	NON-MARRING TIP	EMBOUT ANTI-EGRATIGNURES	2	\$5.28
41	74-82510410	PIN	GOUPILLE	2	\$2.50
42	74-82510420	PIN	GOUPILLE	2	\$2.50
43	74-82510430	FIXED MAGAZINE	CHARGEUR FIXE	1	\$40.18
44	74-82510440	UNDERLAY	DOUBLURE	1	\$6.57
45	74-82510450	LIMIT PLATE	PLAQUE DE LIMITE	1	\$6.94
46	74-82510460	COUNTERSUNK ALLEN SCREW	VIS HEXAGONALE A TETE FRAISEE	3	\$2.50
47	74-82510470	PIN	GOUPILLE	2	\$2.69

Pricing subject to change without prior notice. / Prix sujet à changement sans préavis.



Parts Pricing List / Liste de Prix des Pièces

8251PN

Diag.	Order # Com.	English Description	Description Française	Qty./Qté.	Price/Prix
48	74-82510480	NARROW RESTRICTIVE PLATE	PLAQUE DE RESTRICTION ETROITE	7	\$3.98
49	74-82510490	WIDE RESTRICTIVE PLATE	PLAQUE DE RESTRICTION LARGE	2	\$3.98
50	74-82510500	PUSHER SUPPORT	SUPPORT DE GUIDE	1	\$5.09
51	74-82510510	MOVEABLE MAGAZINE	CHARGEUR MOBILE	1	\$48.23
52	74-82510520	STOP PLATE	PLAQUE D'ARRET	1	\$6.04
53	74-82510530	CAP SCREW	BOULON A TETE CYLINDRIQUE	1	\$3.24
54	74-82510540	PUSHER SUPPORT SPRING	RESSORT DU SUPPORT GUIDE	1	\$5.09
55	74-82510550	RESTRICTIVE PLATE SPRING	RESSORT DE LA PLAQUE DE RESTR.	8	\$5.09
56	74-82510560	CAP SCREW	BOULON A TETE CYLINDRIQUE	1	\$3.06
57	74-82510570	END COVER	COUVERCLE DU BOUT	1	\$17.64
58	74-82510580	PIN	GOUPILLE	1	\$5.09
59	74-82510590	TORSION SPRING	RESSORT A TORSION	1	\$3.98
60	74-82510600	LOCK	LOQUET	1	\$5.46
61	74-82510610	HEX. KEY (2.5MM)	CLE HEXAGONALE (2.5MM)	1	\$5.46
62	74-82510620	SPRING WASHER	RONDELLE A RESSORT	6	\$2.50
63	74-82510630	SUPPORT	SUPPORT	1	\$6.36
64	74-82510640	HEX. NUT	ECROU HEXAGONAL	1	\$2.50
65	74-82510650	CAP SCREW	BOULON A TETE CYLINDRIQUE	1	\$3.43
67	KW-103	BUMPER/DRIVER/O-RING REPL. KIT	TROUSSE DE REMPL. TIGE/AMOR./JOINT	1	-
68	74-82510680	END CAP	CAPUCHON DU BOUT	1	\$9.16
69	74-82510690	QUICK CONNECT (MALE)	RACCORD A CONNEC. RAPIDE (MALE)	1	\$7.13
70	74-82510700	HEX. KEY (2MM)	CLE HEXAGONALE (2MM)	1	\$5.46
71	74-82510710	WASHER	RONDELLE	4	\$2.50
72	74-82510720	WASHER	RONDELLE	1	\$2.50
73	74-82510730	CAP SCREW	BOULON A TETE CYLINDRIQUE	3	\$3.24
74	74-82510740	LOWER RESTRICTIVE PLATE SPRING	RESSORT DE LA PLAQUE DE RESTR.	1	\$5.09
	74-8251MBIL	8251PN BILINGUAL MANUAL	8251PN MANUEL BILINGUE	1	\$24.17