

## RIP FENCE SYSTEM FOR 14" BANDSAWS WITH RESAW GUIDE INSTRUCTIONS FOR RF-1433R

*2-YEAR LIMITED WARRANTY FOR KING INDUSTRIAL PRODUCTS*

### **PROOF OF PURCHASE**

Please keep your dated proof of purchase for warranty and servicing purposes.

### **REPLACEMENT PARTS**

Replacement parts for this improved product are available at our authorized King Canada service centers across Canada.

### **LIMITED TOOL WARRANTY**

King Canada makes every effort to ensure that this product meets high quality and durability standards. King Canada warrants to the original retail consumer a 2-year limited warranty as of the date the product was purchased at retail and that each product is free from defects in materials. Warranty does not apply to defects due directly or indirectly to misuse, abuse, normal wear and tear, negligence or accidents, repairs done by an unauthorized service center, alterations and lack of maintenance. King Canada shall in no event be liable for death, injuries to persons or property or for incidental, special or consequential damages arising from the use of our products.

To take advantage of this limited warranty, return the product at your expense together with your dated proof of purchase to an authorized King Canada service center. Contact your retailer or visit our web site at [www.kingcanada.com](http://www.kingcanada.com) for an updated listing of our authorized service centers. In cooperation with our authorized serviced center, King Canada will either repair or replace the product if any part or parts covered under this warranty which examination proves to be defective in workmanship or material during the warranty period.

### **PARTS DIAGRAM & PARTS LISTS**

Refer to **KC-1433FXR** in the Parts section of the King Canada web site for the most updated parts diagram and parts list.

### **"TRU-RIP" RIP FENCE SYSTEM ASSEMBLY**

- 1) Assemble the fixed base (A) Fig.1 to the cast iron table using 2 hex. bolts and spring washers (B).
- 2) Assemble the rear square tube (C) to the rear of table using 2 cap screws.
- 3) Assemble the fence (D) to the fence body (E) using 4 cap screws (F). Make sure the fence sleeves (#253) are positioned in the fence first. Place the fence assembly on the fixed base and rear square tube, slide the fence on its guides until it is the required distance from the blade.
- 4) Check the scale, make sure the distance between the edge of the miter slot (G) and both the front and rear of the rip fence are the same distance, adjust the fence position with the 4 cap screws (F) so both distances are equal.
- 5) Lock the fence by pushing down on the locking handle (H).

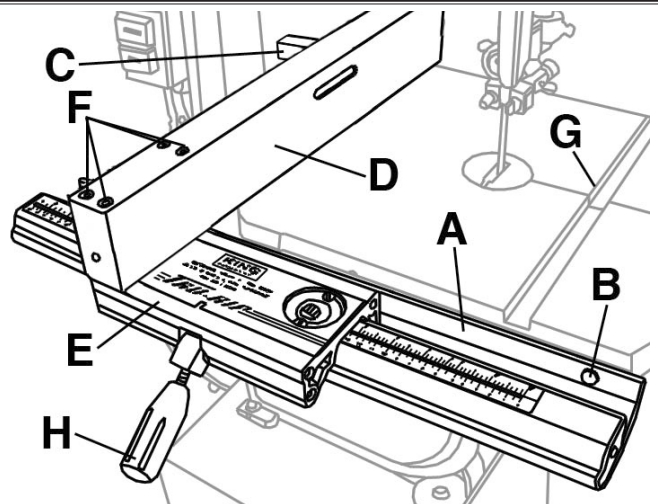


Figure 1

### **RESAW GUIDE**

Resawing is a method of ripping a piece of lumber into thinner pieces as well as making book matched or slip matched panels. The curved resaw guide (A) Fig.2 is the best option for guiding wood through the bandsaw. The narrow line of contact makes it easy to compensate for a blade that "leads" or wanders off the cutting line when the stock is fed straight into it. You can get satisfactory results with this resaw guide "single point" method, but it demands very careful hand control. To install resaw guide;

- 1) Attach the resaw guide post (A) Fig.2 to the fence (B) using washer (C) and lock handle (D).
- 2) Slide and position the resaw guide post so that it is centered with the front edge of the blade and tighten lock handle.

Here's how you can resaw precisely and easily using resaw guide. Pencil a straight line down the edge of a square edged board. Start sawing along your layout line, guiding the board freehand. If the blade is leading, you will have to feed the board into the blade at a slight angle to keep cutting along the line and to compensate for blade drift.

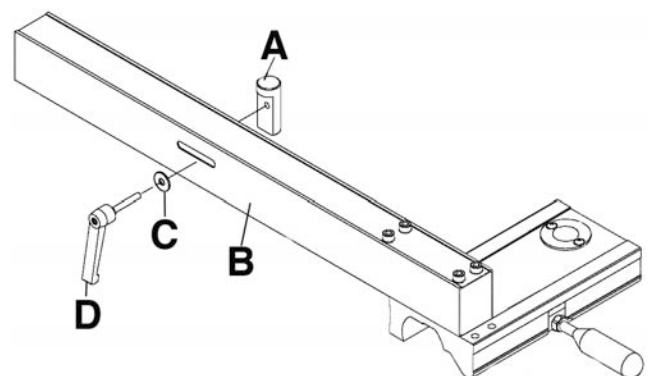


Figure 2