



# LAMINATED MELAMINE EXTENSION TABLE AND SUPPORTING LEGS FOR TABLE SAWS MODEL EXT-5052

## 2-YEAR LIMITED WARRANTY FOR KING INDUSTRIAL MACHINERY

### PROOF OF PURCHASE

Please keep your dated proof of purchase for warranty and servicing purposes.

### REPLACEMENT PARTS

Replacement parts for this product are available at our authorized King Canada service centers across Canada.

### LIMITED TOOL WARRANTY

King Canada makes every effort to ensure that this product meets high quality and durability standards. King Canada warrants to the original retail consumer a 2-year limited warranty as of the date the product was purchased at retail and that each product is free from defects in materials. Warranty does not apply to defects due directly or indirectly to misuse, abuse, normal wear and tear, negligence or accidents, repairs done by an unauthorized service center, alterations and lack of maintenance. King Canada shall in no event be liable for death, injuries to persons or property or for incidental, special or consequential damages arising from the use of our products.

To take advantage of this limited warranty, return the product at your expense together with your dated proof of purchase to an authorized King Canada service center. Contact your retailer or visit our web site at [www.kingcanada.com](http://www.kingcanada.com) for an updated listing of our authorized service centers. In cooperation with our authorized serviced center, King Canada will either repair or replace the product if any part or parts covered under this warranty which examination proves to be defective in workmanship or material during the warranty period.

### INSTALLING LAMINATED EXTENSION TABLE

This laminated extension table can only be installed to a table saw having a complete rip fence system (front and rear bars) installed.

- 1) Position the laminated melamine extension table (A) Fig.1 between the installed front and rear rails (B) of your rip fence system and up against the right side extension wing (C) of your table saw.
- 2) Secure both sides of the laminated melamine extension table to the front and rear rails of your rip fence system using hex. bolts, washers, spring washers and hex. nuts. Only hand tighten hardware at this point.
- 3) Before tightening all hardware, place a straightedge (A) Fig.2 on top of the right side extension wing and the laminated melamine extension table. Adjust table up or down to ensure the top of the laminated melamine extension table is set flush with the top of the extension wing. Once adjusted, tighten all hex. bolts.

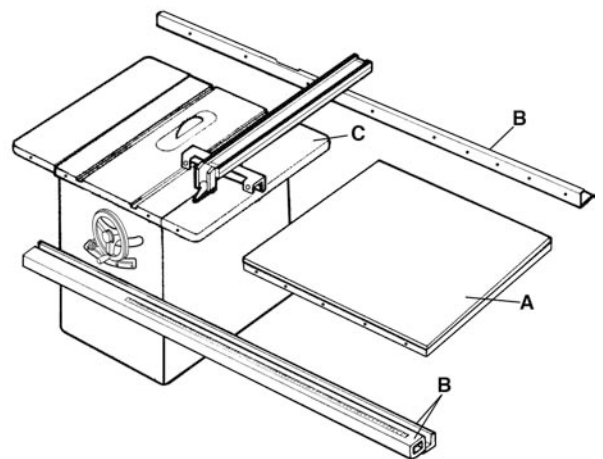


Figure 1

### INSTALLING SUPPORT LEGS TO LAMINATED EXTENSION TABLE

- 1) Fasten the 2 support legs to the inner edge of the laminated extension table using 4 hex. bolts, 8 washers, 4 spring washers and 4 hex. nuts. Refer to the parts diagram for assembly.
- 2) Once installed, the adjustment feet must be adjusted properly to offer adequate support. Turn the adjustment feet until they both bottom out against the floor and tighten the upper hex. nut against each support leg to secure them in place.

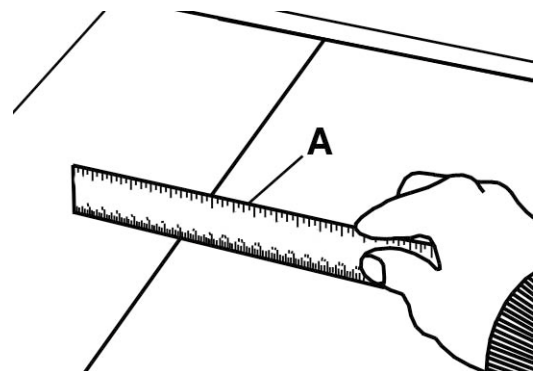


Figure 2

### PARTS DIAGRAM & PARTS LISTS

Refer to the Parts section of the King Canada web site for the most updated parts diagram and parts list.

**KING CANADA INC. DORVAL, QUÉBEC, CANADA H9P 2Y4**  
**[www.kingcanada.com](http://www.kingcanada.com)**

COPYRIGHT © 2010 ALL RIGHTS RESERVED BY KING CANADA TOOLS INC.