



KING CANADA

DRYWALL & PANEL LIFT



MODEL: KDL-11

INSTRUCTION MANUAL

COPYRIGHT © 2007 ALL RIGHTS RESERVED BY KING CANADA TOOLS INC.

WARRANTY INFORMATION SPECIFIC SAFETY INSTRUCTIONS



2-YEAR
LIMITED WARRANTY
FOR THIS DRYWALL LIFT

KING CANADA TOOLS
OFFERS A 2-YEAR LIMITED WARRANTY
FOR NON-COMMERCIAL USE.

PROOF OF PURCHASE

Please keep your dated proof of purchase for warranty and servicing purposes.

REPLACEMENT PARTS

Replacement parts for this product are available at our authorized King Canada service centers across Canada.

LIMITED TOOL WARRANTY

King Canada makes every effort to ensure that this product meets high quality and durability standards. King Canada warrants to the original retail consumer a 2-year limited warranty as of the date the product was purchased at retail and that each product is free from defects in materials. Warranty does not apply to defects due directly or indirectly to misuse, abuse, normal wear and tear, negligence or accidents, repairs done by an unauthorized service center, alterations and lack of maintenance. King Canada shall in no event be liable for death, injuries to persons or property or for incidental, special or consequential damages arising from the use of our products.

To take advantage of this limited warranty, return the product at your expense together with your dated proof of purchase to an authorized King Canada service center. Contact your retailer or visit our web site at www.kingcanada.com for an updated listing of our authorized service centers. In cooperation with our authorized serviced center, King Canada will either repair or replace the product if any part or parts covered under this warranty which examination proves to be defective in workmanship or material during the warranty period.

SPECIFIC SAFETY INSTRUCTIONS & SPECIFICATIONS FOR YOUR DRYWALL LIFT

Read the following safety instructions before attempting to assemble or use this product

- 1. ALWAYS** inspect the unit carefully before each use, pay special attention to the condition of the winch cable.
- 2. ALWAYS** allow the drywall lift to reach room temperature before use, moving a cold unit into a warm room can cause condensation, which could affect the operation of the winch brake. Always be sure the brake drum is clean and dry before operating.
- 3. Always wear ANSI approved safety goggles and a hard hat** when operating. Always watch for overhead obstructions when lifting a drywall panel.
- 4. NEVER** use the drywall lift if either crossarm support is not secured by its locking spring tab.
- 5. NEVER** use this drywall lift for any purpose other than lifting a drywall panel.
- 6. NEVER** lift more than one sheet of drywall at a time. Never lift more than 150 lbs.

SPECIFICATIONS

Model	KDL-11
Maximum Drywall Panel Size.....	4 ft. x 16 ft.
Load Height	34"
Maximum Telescoping Height.....	11 ft.
Maximum Weight Capacity	150 lbs.
Drywall Lift Weight	100 lbs.



DRYWALL LIFT ASSEMBLY

SETTING-UP TRIPOD BASE AND INSTALLING LOCKING CASTERS

1) Place the tripod base assembly on the ground and then press down on the slide yoke ring (A) Fig.1 and hold the ring down and swing the legs out completely until the slide yoke ring snaps into the locking hole on the bottom of the slide tube.

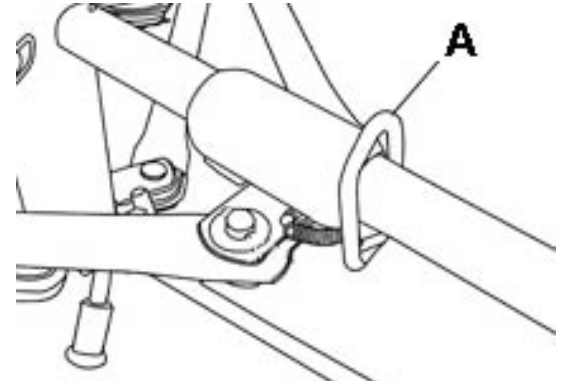


FIGURE 1

2) Install the locking casters (A) Fig.2 at the end of each leg (B).

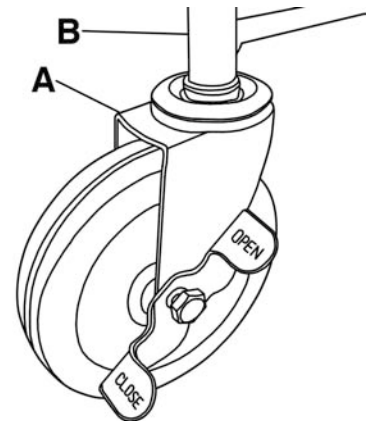


FIGURE 2

3) To prevent the tripod base from rolling backward during the remaining assembly steps, position the locking tabs of the casters to the "close" position as shown in Fig.2 and lower the backstop (foot brake) (A) Fig.3.

INSTALLING TELESCOPIC FRAME AND WINCH ASSEMBLY TO TRIPOD BASE

1) Install the telescopic frame (A) Fig.4 onto the "V" angles (B) on the tripod base and lower the frame about 1" until it is secured by the angles.

2) Before continuing with the assembly instructions, make sure the frame is pushed all the way down and is held securely by the angles.

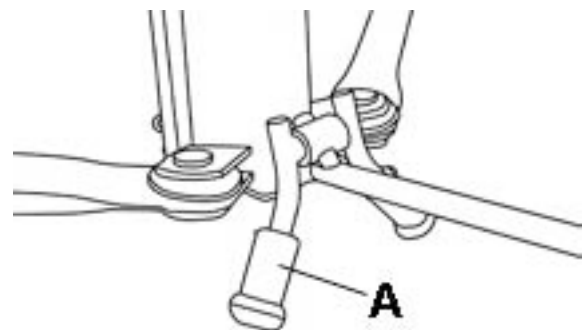


FIGURE 3

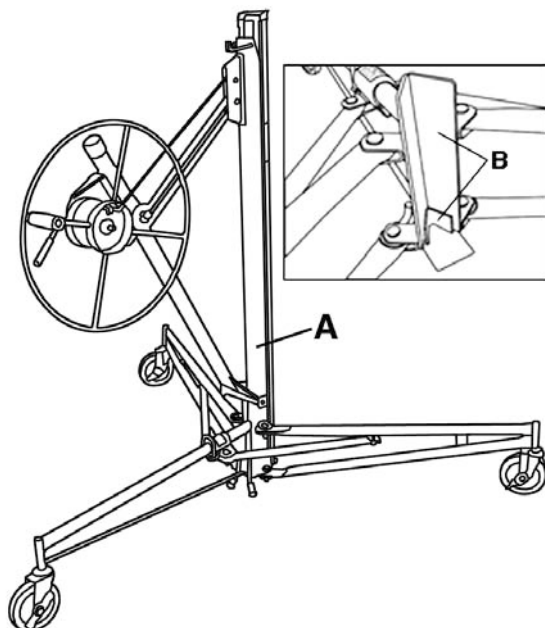


FIGURE 4

DRYWALL LIFT ASSEMBLY



ASSEMBLING THE WINCH HANDLE

- 1) Assemble the winch handle (A) Fig.5 to the winch wheel by tightening the handle bolt (B) with a screwdriver.

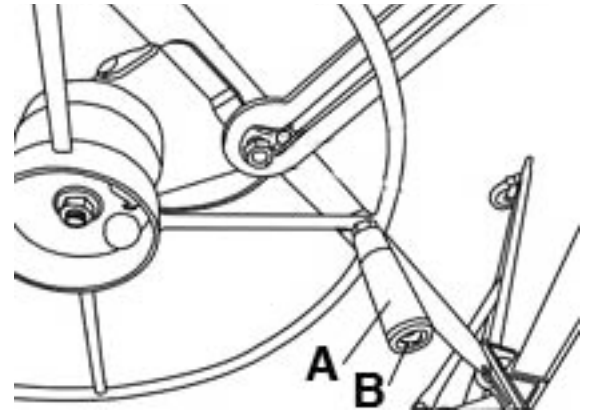


FIGURE 5

INSTALLING THE CRADLE ASSEMBLY TO THE TOP OF FRAME

- 1) Before attempting to install the cradle to the top of the frame, pivot the retaining hook (A) Fig.6 downwards. This retaining hook is used to prevent the telescopic posts from moving during transport or storage.
- 2) Lift the cradle (B) Fig.6 and insert the cradle post (C) into the telescopic post opening (D). Make sure the cradle post slides all the way into the telescopic post opening.

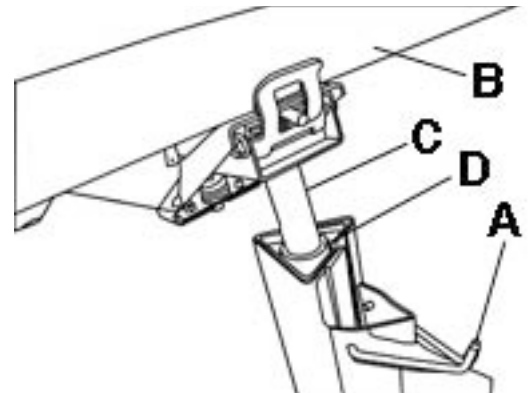


FIGURE 6

INSTALLING THE CROSSARMS TO THE CRADLE

- 1) The crossarms are interchangeable. Slide the tapered plate on the crossarm (A) Fig.7 into one of the tapered sockets (C) on the cradle (B).
- 2) Push the crossarm forward into the socket until the spring tab on the bottom of the crossarm snaps into place. Repeat for the second crossarm.

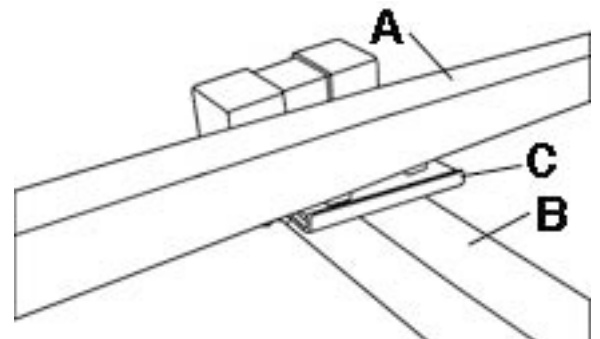


FIGURE 7



OPERATING CONTROLS

ADJUSTING OUTRIGGERS

The outriggers (A) Fig.8 at both ends of the cradle (B) extend for supporting longer drywall panels. To extend the outriggers;

- 1) Pull out the lock pin (C) until you can slide the outrigger (A) out.
- 2) The lock pin can engage to lock the outrigger at one of three positions: fully retracted; extended at 21"; or extended at 33".

WARNING! Never load a drywall panel or operate the drywall lift if the lock pins are not engaged at one of these positions, or if the outriggers are extended beyond the 33" position.

To avoid damage, always retract the outriggers before transporting or storing the drywall lift.

PANEL SUPPORT HOOKS

Open the support hook (A) Fig.9 on each crossarm (B) to support the drywall panel when it is being loaded, or when the cradle is tilted.

To avoid damage, always retract the support hooks before transporting or storing the drywall lift.

CRADLE TILT LATCH

To allow the cradle (A) Fig.10 to tilt (for loading a drywall panel, or for raising the panel to a side wall or sloped ceiling), or to remove the cradle from the frame, pivot the tilt latch (B) out and down as shown. To lock the cradle in position, pivot the latch upwards to engage the stud (C) on the cradle.

NOTE: When the cradle is in the level (non-tilted) position, the cradle will also tilt up to 10° side-to-side.

BRAKE ARM

A spring loaded brake arm (A) Fig.11 holds the cradle at whatever height you raise it by cranking the winch wheel (B). To lower the cradle, control the backward rotation of the winch by grasping the winch wheel handle (C) and carefully raise the brake arm to release the brake. To lock the winch in position, lower the brake arm.

WINCH WHEEL, HANDLE AND POST

Cranking the winch using the winch handle (C) Fig.11 coils or uncoils the cable that raises or lowers the telescopic posts and the cradle. Grasp the post (D) for leverage when cranking the winch.

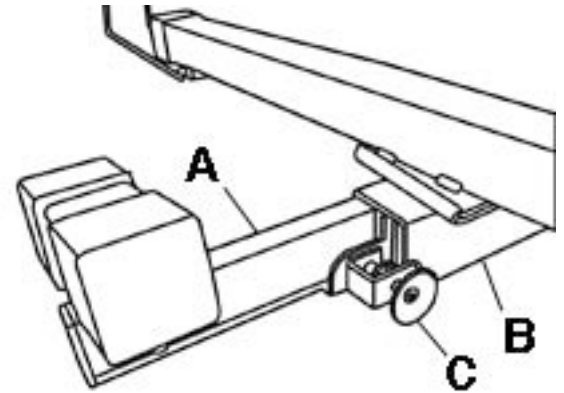


FIGURE 8

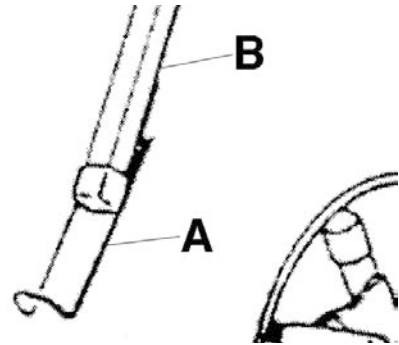


FIGURE 9

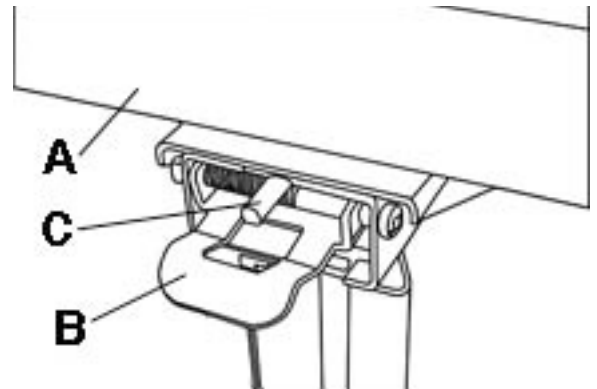


FIGURE 10

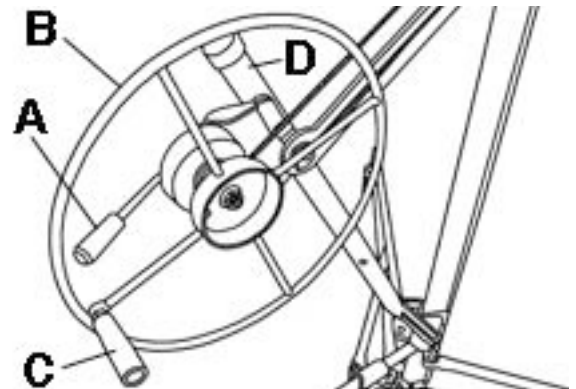


FIGURE 11

LOADING & RAISING DRYWALL PANEL



LOADING DRYWALL PANEL

Before attempting to load a drywall panel, it is important that you have familiarized yourself with all safety rules, specifications, capacities and have followed all the assembly instructions in this manual.

To load a drywall panel;

- 1) Lower the foot brake so the drywall lift won't roll backwards. See Fig.3.
- 2) Swing open the panel support hooks on the two crossarms, see Fig.9. Make sure the cradle is turned so the support hooks are on the opposite side from the winch wheel.
- 3) Extend the cradle outriggers as needed to fully support the length of the drywall panel, see Fig.8. Make sure the outrigger lock pins are engaged in one of the three locked positions.
- 4) Release the tilt latch to tilt the cradle, see Fig.10.
- 5) **Hold the drywall panel with its paper face towards the tilted cradle.** Set the drywall panel on the support hooks and carefully lean the drywall panel against the crossarms and outriggers, see Fig.12.
- 6) If you want to install the drywall panel to a flat ceiling, tilt the cradle back to its level position and lock the tilt latch. If you want to install it on a side wall or a sloped ceiling, leave the cradle tilted.
- 7) Raise the foot brake on the tripod base and carefully roll the lift close to the position where the panel will be installed. Once in position, lock the wheel casters and lower the foot brake to prevent movement.

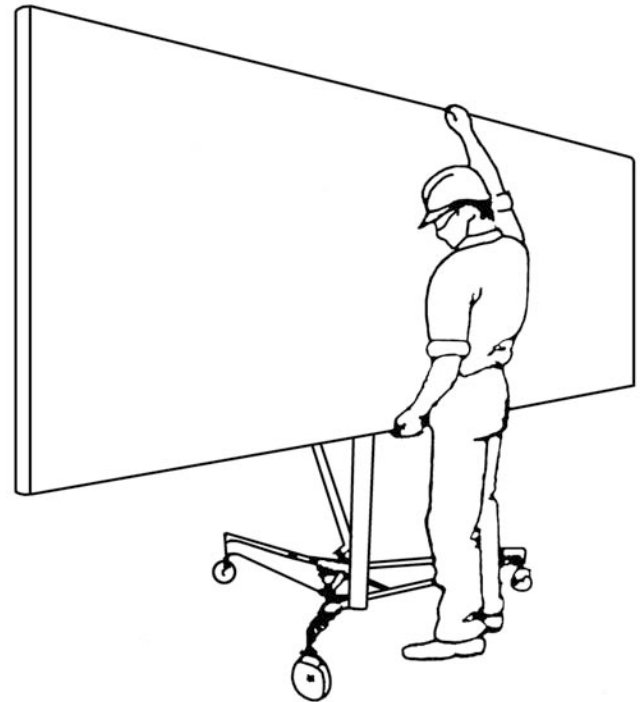


FIGURE 12

RAISING OR LOWERING THE DRYWALL PANEL

WARNING! Always wear safety glasses and a hard hat when raising or lowering a drywall panel.

Cranking the winch using the winch handle coils or uncoils the cable, this raises or lowers the telescopic posts and the cradle. Grasp the winch post for leverage when cranking the winch. To lock the winch in position, lower the brake arm.

The brake arm holds the cradle at whatever height you raise it. To lower the cradle, control the backward rotation of the winch by grasping the winch wheel handle and carefully raising the brake arm to release the brake. Fig.13 shows a raised drywall panel and the proper positioning of the user.

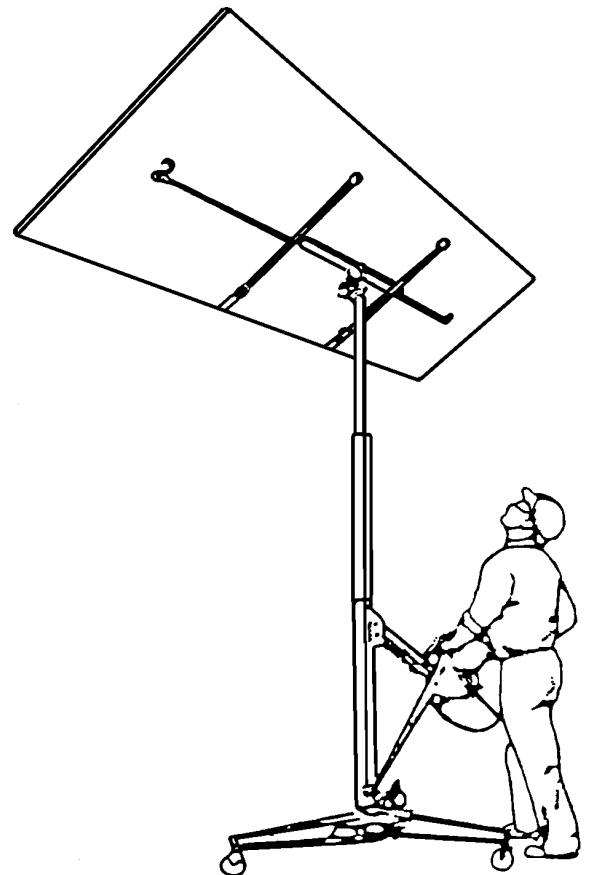


FIGURE 13



MAINTENANCE & STORAGE

MAINTENANCE

It is very important to always check the condition of the winch cable before operating, if the cable shows signs of weakness or damage, it must be replaced before using the drywall lift again.

Occasionally oil the cable pulleys. Crank up the telescopic posts for access to the internal cable pulley. Never allow oil or grease to contact the surface of the winch brake drum. It is also recommended to oil the caster wheel bearings.

DISASSEMBLY AND STORAGE

To disassemble the drywall lift for transport or storage, follow these instructions;

- 1) Crank the cradle all the way down.
- 2) Slide the cradle outriggers all the way in until they latch, also close the panel support hooks.
- 3) Remove the crossarms by pressing the spring tab on the bottom and slide the crossarms out of the tapered sockets.
- 4) Unlock the cradle tilt latch. Lift the cradle about 4" until you can remove it from the frame.
- 5) Swing up the retaining hook (A) Fig.14 over the top of the telescopic posts to prevent them from moving during transport or storage.
- 6) Unlock the winch assembly by pulling the slide bar (A) Fig.15 away from the slide bar lock (B) (towards the right), then lift the slide bar. Crank the winch to move the winch assembly towards the frame. When the slide bar contacts the frame, keep turning the winch a bit more until the telescopic post movement is prevented by the retaining hook. Reposition the slide bar against the slide bar lock, making sure it engages it and holds the winch assembly in place. Lower the winch brake arm to secure it in place.
- 7) Carefully lift the frame and winch assembly and remove it from the tripod base assembly.
- 8) Fold the tripod base by pressing down on the slide yoke ring and pivot the forward legs in until they lock in the closed position.

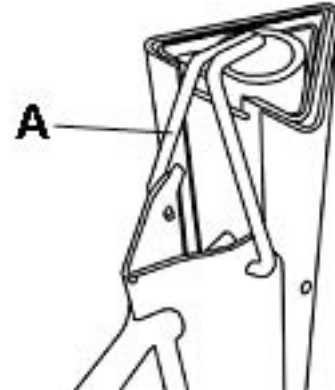


FIGURE 14

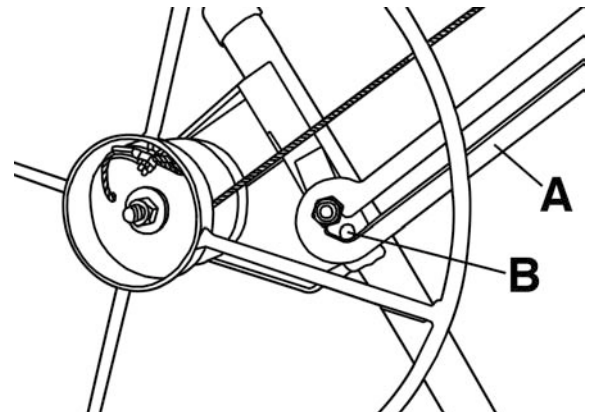


FIGURE 15

PARTS DIAGRAM & PARTS LISTS

Refer to the Parts section of the King Canada web site for the most updated parts diagram and parts list.