



# INDUSTRIAL T-SQUARE RIP FENCE SYSTEMS



MODEL: KRF-i30 (30" Max Rip)

MODEL: KRF-i50 (50" Max Rip)

# INSTRUCTION MANUAL

COPYRIGHT © 2010 ALL RIGHTS RESERVED BY KING CANADA TOOLS INC.

# WARRANTY INFORMATION



**2-YEAR  
LIMITED WARRANTY  
FOR THIS RIP FENCE SYSTEM**

**KING CANADA TOOLS  
OFFERS A 2-YEAR LIMITED WARRANTY  
FOR INDUSTRIAL USE.**

## **PROOF OF PURCHASE**

Please keep your dated proof of purchase for warranty and servicing purposes.

## **REPLACEMENT PARTS**

Replacement parts for this product are available at our authorized King Canada service centers across Canada.

## **LIMITED TOOL WARRANTY**

King Canada makes every effort to ensure that this product meets high quality and durability standards. King Canada warrants to the original retail consumer a 2-year limited warranty as of the date the product was purchased at retail and that each product is free from defects in materials. Warranty does not apply to defects due directly or indirectly to misuse, abuse, normal wear and tear, negligence or accidents, repairs done by an unauthorized service center, alterations and lack of maintenance. King Canada shall in no event be liable for death, injuries to persons or property or for incidental, special or consequential damages arising from the use of our products.

To take advantage of this limited warranty, return the product at your expense together with your dated proof of purchase to an authorized King Canada service center. Contact your retailer or visit our web site at [www.kingcanada.com](http://www.kingcanada.com) for an updated listing of our authorized service centers. In cooperation with our authorized serviced center, King Canada will either repair or replace the product if any part or parts covered under this warranty which examination proves to be defective in workmanship or material during the warranty period.

## **NOTE TO USER**

This instruction manual is meant to serve as a guide only. Specifications and references are subject to change without prior notice.

**KING CANADA INC. DORVAL, QUÉBEC, CANADA H9P 2Y4**

**[www.kingcanada.com](http://www.kingcanada.com)**



## GENERAL SAFETY INSTRUCTIONS FOR POWER TOOLS

### 1. KNOW YOUR TOOL

Read and understand the owners manual and labels affixed to the tool. Learn its application and limitations as well as its specific potential hazards.

### 2. GROUND THE TOOL.

This tool is equipped with an approved 3-conductor cord and a 3-prong grounding type plug to fit the proper grounding type receptacle. The green conductor in the cord is the grounding wire. **NEVER** connect the green wire to a live terminal.

### 3. KEEP GUARDS IN PLACE.

Keep in good working order, properly adjusted and aligned.

### 4. REMOVE ADJUSTING KEYS AND WRENCHES.

Form habit of checking to see that keys and adjusting wrenches are removed from tool before turning it on.

### 5. KEEP WORK AREA CLEAN.

Cluttered areas and benches invite accidents. Make sure the floor is clean and not slippery due to wax and sawdust build-up.

### 6. AVOID DANGEROUS ENVIRONMENT.

Don't use power tools in damp or wet locations or expose them to rain. Keep work area well lit and provide adequate surrounding work space.

### 7. KEEP CHILDREN AWAY.

All visitors should be kept a safe distance from work area.

### 8. MAKE WORKSHOP CHILD-PROOF.

-with padlocks, master switches or by removing starter keys.

### 9. USE PROPER SPEED.

A tool will do a better and safer job when operated at the proper speed.

### 10. USE RIGHT TOOL.

Don't force the tool or the attachment to do a job for which it was not designed.

### 11. WEAR PROPER APPAREL.

Do not wear loose clothing, gloves, neckties or jewelry (rings, watch) because they could get caught in moving parts. Non-slip footwear is recommended. Wear protective hair covering to contain long hair. Roll up long sleeves above the elbows.

### 12. ALWAYS WEAR SAFETY GLASSES.

Always wear safety glasses (ANSI Z87.1). Everyday eyeglasses only have impact resistant lenses, they are **NOT** safety glasses. Also use a face or dust mask if cutting operation is dusty.

### 13. DON'T OVERREACH.

Keep proper footing and balance at all times.

### 14. MAINTAIN TOOL WITH CARE.

Keep tools sharp and clean for best and safest performance. Follow instructions for lubricating and changing accessories.

### 15. DISCONNECT TOOLS.

Before servicing, when changing accessories or attachments.

### 16. AVOID ACCIDENTAL STARTING.

Make sure the switch is in the "OFF" position before plugging in.

### 17. USE RECOMMENDED ACCESSORIES.

Consult the manual for recommended accessories. Follow the instructions that accompany the accessories. The use of improper accessories may cause hazards.

### 18. NEVER STAND ON TOOL.

Serious injury could occur if the tool tips over. Do not store materials such that it is necessary to stand on the tool to reach them.

### 19. CHECK DAMAGED PARTS.

Before further use of the tool, a guard or other parts that are damaged should be carefully checked to ensure that they will operate properly and perform their intended function. Check for alignment of moving parts, breakage of parts, mounting, and any other conditions that may affect its operation. A guard or other parts that are damaged should be properly repaired or replaced.

### 20. NEVER LEAVE MACHINE RUNNING UNATTENDED.

Turn power "OFF". Don't leave any tool running until it comes to a complete stop.

## SPECIFIC SAFETY INSTRUCTIONS FOR RIP FENCE SYSTEMS

1. **FOLLOW THE INSTRUCTIONS** in your table saw manual regarding the proper installation and use of your table saw.

2. **USE THE SAW** blade guard, spreader and anti-kickback pawls for any thru sawing (whenever the blade comes through the top of the workpiece). Make sure the pawls work properly and that the spreader is perfectly aligned with the saw blade.

3. **USE EXTRA SUPPORTS** (tables, saw horses, blocks, etc.) for any workpiece large enough to tip when not held down to the table top.

4. **TO AVOID** kickbacks and slips into the saw blade, make sure the fence is parallel to the saw blade.

5. **MAKE SURE** there is no debris between the workpiece and its supports.

6. **AVOID HAND POSITIONS** where a sudden slip could cause fingers and hands to move into the saw blade or other cutting tool(s).

7. **PUSH THE WORKPIECE** against the rotation of the saw blade. **NEVER** feed material into the cutting tool from the rear of the table saw.

8. **KEEP YOUR FACE AND BODY** to one side of the saw blade, out of line with a possible kickback or throwback.

9. **NEVER** use the mitre gauge when ripping or in combination with the fence.

10. **NEVER** use the fence when crosscutting.

11. **TO AVOID INJURY** from accidental starting, unplug the saw, turn the switch off and remove the switch key before raising or removing the blade guard, changing any cutting tool, changing the set-up or adjusting anything.

12. **USE A PUSH STICK** whenever the fence is 2 inches or less from the saw blade. When thru sawing, use an auxiliary fence and push block whenever the fence must be between 1/2 inch and 2 inches from the saw blade. **NEVER** thru saw rip cuts less than 1/2 inch wide.

# ASSEMBLY AND ADJUSTMENTS



## INSTALLING FRONT RAIL AND TUBE ASSEMBLY

Place and align the mounting holes of the front rail and tube assembly (A) Fig.1 with the holes in the front lip of the table (C) and extension wings (D & E). Install the front rail and tube assembly to the table and extension wings using 4 hex. bolts, 8 washers, 4 spring washers and 4 hex. nuts.

Before securing it in place, adjust it up or down to ensure the front rail edge is set at 3/16" below the beveled edge of the table and extension wings. Once adjusted, tighten all 4 bolts.

## INSTALLING REAR RAIL

Place and align the mounting holes of the rear rail (B) Fig.1 with the holes in the rear lip of the table (C) and extension wings (D & E). Install the rear rail to the table using 2 hex. bolts and 2 washers.

Then use 2 hex. bolts, 4 washers, 2 spring washers and 2 hex. nuts to fix the rear rail to the extension wings. Before securing it in place, adjust it up or down to ensure the rear rail edge is set flush with the lowest edge of the miter gauge slot (to allow free movement of the miter gauge). Once adjusted, tighten all 4 bolts.

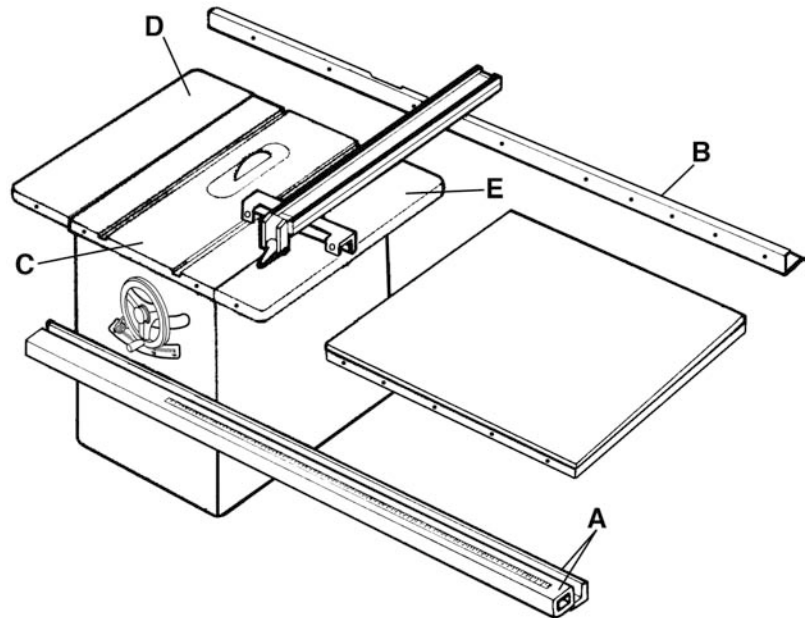


FIGURE 1

## ADJUSTING RIP FENCE

The rip fence must be perfectly aligned with the table T-slot, to verify this, place rip fence on table and align the edge of the rip fence with the table T-slot, lower the locking lever (A) Fig.2 to lock it into place. Check to see if the edge of the rip fence and the table T-slot are parallel. If they are not parallel, unlock the rip fence and turn it upside down as shown in Fig.3. Adjust the set screws (A) Fig.3 in or out, verify your adjustment, repeat if necessary.

The lock lever pressure can be adjusted by loosening the front lock nuts (B) Fig.2 and adjusting the set screws (C) the same amount, make sure the fence remains parallel with the table T-slot. Retighten lock nuts.

To set the fence perpendicular to the table, place a square on the table and against the side of the fence, loosen the top lock nuts (D) and adjust the set screws (E) until the fence is perpendicular. Retighten lock nuts.

The pointer window (F) Fig.2 position can be adjusted if needed, loosen pan head screws (G), reposition the pointer window and retighten pan head screws.

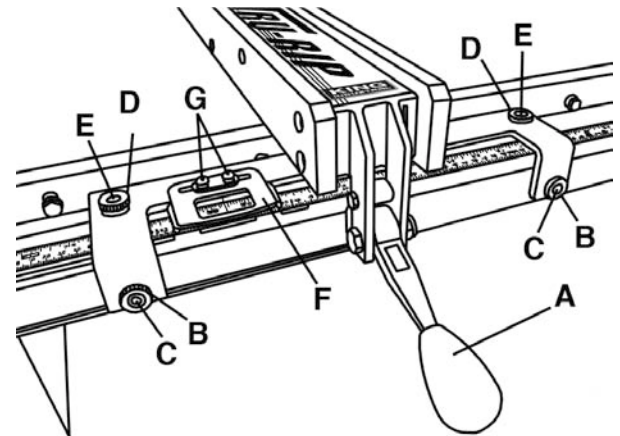


FIGURE 2

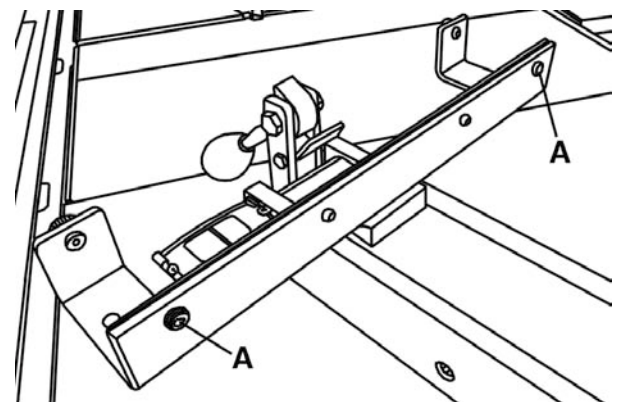


FIGURE 3



## ASSEMBLY AND ADJUSTMENTS

### INSTALLING MEASURING TAPE ON GUIDE TUBE

Caution! Only proceed with the following step once the rip fence system has been adjusted and that the fence is set perfectly parallel with the saw blade. See “Adjusting Rip Fence” section on the previous page for instructions.

Slide the fence against the saw blade. Place the measuring tape on the tube (A) Fig.1 under the pointer window (A) Fig.4. The pointer window contains 2 small red lines which represent the thickness of the blade kerf, line up the zero mark of the measuring tape underneath the red line on the left side. Make sure the measuring tape is positioned perfectly parallel to the tube and that the measurements are clearly visible.

Remove the fence. Peel away a small portion at a time of the measuring tape backing and carefully install. We suggest taking your time during this installation, if a mistake is made and the zero mark does not align perfectly, you can loosen the pointer window screws (B) Fig.4, reposition the pointer window in the correct position and retighten the screws.

### INSTALLING MAGNETIC SWITCH TO FRONT RAIL

If your King table saw comes with a magnetic safety switch (A) Fig.5 and is attached to a mounting bracket (B), mount the mounting bracket underneath the left end of the front rail (C) using 2 hex. bolts and washers.

### PARTS DIAGRAM & PARTS LISTS

Refer to the Parts section of the King Canada web site for the most updated parts diagram and parts list.

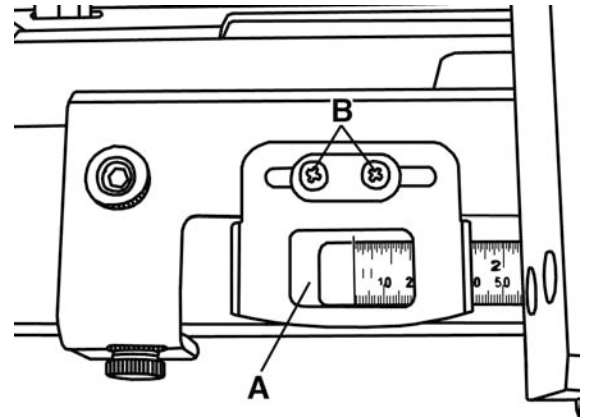


FIGURE 4

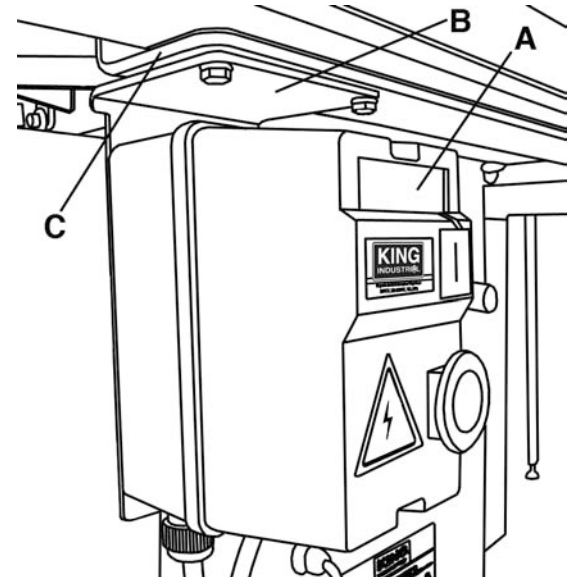


FIGURE 5