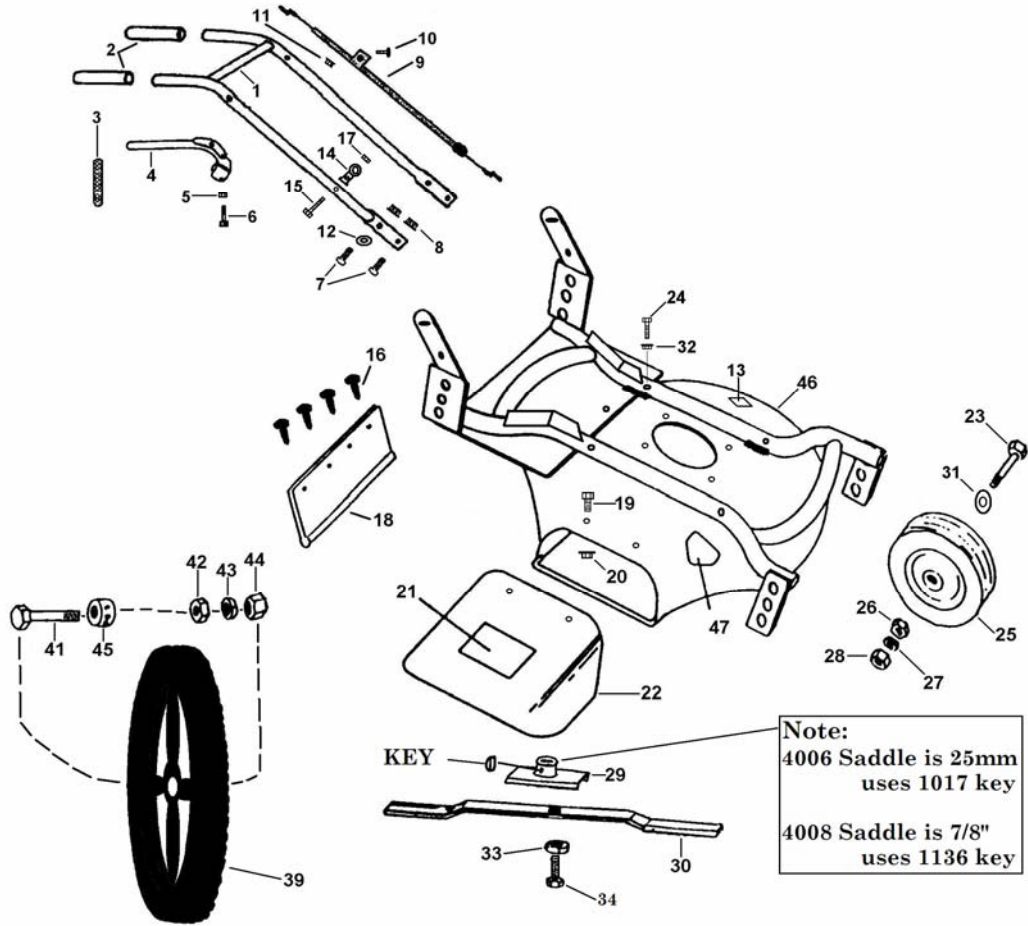


621-2 Frame Parts and Parts Breakdown



Item No.	Part No.	Description	Qty	Item No.	Part No.	Description	Qty
1	3117P	Plow Handle	1	22	1378-2	Chute Ext.	1
2	1001	Handle Grip	2	23	1007	1/2 -13 x 2 3/4 Axle	2
3	1703	Grip	1	24	1100	Bolt 1/4 x 1 1/4 SAE	4
4	1718	Bail	1	25	1504A	Wheel 8"	2
5	1129	Lock Nut 1/4 SAE	1	26	1123	Nut 1/2 Jam	2
6	1711	Bolt 1/4 x 1 1/2 SAE	1	27	1120	Lock Washer 1/2	2
7	1119	Bolt 5/16 x 3/4 USS	4	28	1121	Nut 1/2	2
8	1132	5/16 Whiz Nut	7	29	4006	Blade Saddle	1
9	2231-4	Safety Cable	1	30	1510	22" Straight Blade 3/8 I.D.	1
10	1097	10-24 x 1 1/2 Screw	1	31	1062	Flat Washer 1/2	2
11	1155	# 10 Keps Lock Nut	1	32	1129A	1/4 Whiz Nut	4
12	1084	Flat Washer 5/16	2	33	4043	Serrated Spring Washer	1
13	1395	22" Deck Decal	1	34	2027	Bolt 3/8 x 1 1/4 SAE	1
14	1652	Rope Guide	1	39	3044	16" Solid Tire on Rim	2
15	1145	Bolt 1/4 x 1 3/4 SAE	1	41	1072	Axle	2
16	1213	Push Rivet	4	42	1123	Nut 1/2 Jam	2
17	1129	Lock Nut 1/4 SAE	1	43	1120	Lock Washer 1/2	2
18	3084	Rear Guard	1	44	1121	Nut 1/2	2
19	1119	Bolt 5/16 x 3/4 USS	2	45	1071	Bearings	4
20	1132	5/16 Whiz Nut	2	46	3013-2	Mower Frame 22"	1
21	1355	Decal (Caution)	1	47	1354	Danger Decal	1