


**FEATURES**

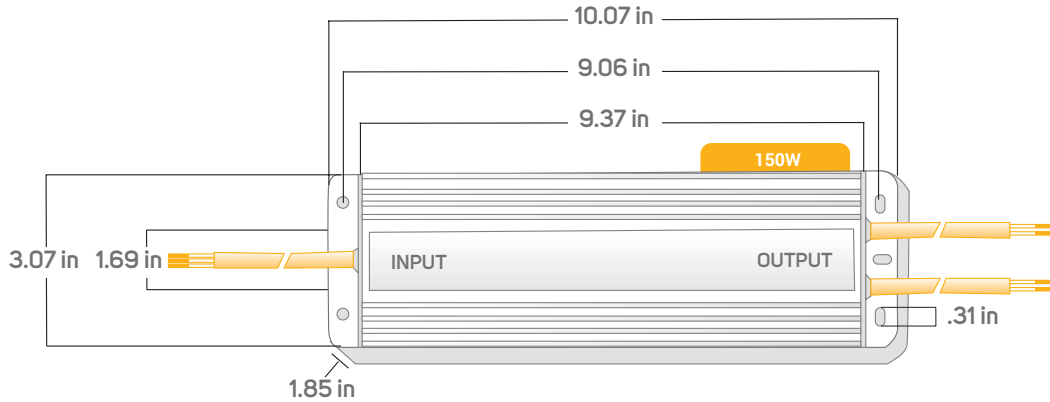
- Output constant voltage
- Compatible with forward-phase, triac, MLV dimmers
- Strong compatibility, flicker-free dimming
- Universal AC input: 100-130VAC
- Power factor: up to 0.65
- High efficiency: up to 84%
- Protection: short circuit/over loading/over current/over temp
- Full-protection aluminum housing
- Easy installation
- Suitable for LED lighting and moving sign applications
- Cooling by air convection
- Compliant with worldwide safety regulations for lighting

**150W MIRAGE™ DIMMABLE DRIVER SPECIFICATIONS**

Model		FA-MI-TD-12V-150W	FA-MI-TD-24V-150W
<b>Certificates</b>		ETL, CETL, FCC	ETL, CETL, FCC
<b>Output</b>	DC Voltage	12V	24V
	Voltage Tolerance	±0.5V	
	Rated Current	12.5A	6.25A
	Rated Power	150W	
<b>Input</b>	Voltage Range	100 ~ 130VAC	
	Frequency Range	50 ~ 60HZ	
	Power Factor (Typ.)	0.65	
	Efficiency (Typ.)	83%	84%
	AC Current (Max.)	2.4A/100VAC	2.4A/100VAC
	Leakage Current	<0.70mA/110VAC	
<b>Protection</b>	Short Circuit	Hiccup mode, recovers automatically after fault condition is removed	
	Over Current	≤1.2*I out	
	Over Loading	≤120%	
	Over Temperature	212°F±50°F shut down o/p voltage, re-power on to recover	
<b>Environment</b>	Working Temperature	-40°F ~ +158°F	
	Working Humidity	20 ~ 95%RH, non-condensing	
	Storage Temp Humidity	-40°F ~ +176°F, 10 ~ 95%RH	
	Temperature Coefficient	±1%/°F (0 ~ 122°F)	
	Vibration	10 ~ 500Hz, 5G 10 min./1 cycle, period for 60 min. each along X, Y, Z axes	
<b>Safety &amp; EMC</b>	Safety Standards	UL1012	
	Withstand Voltage	I/P-O/P:1500KVAC	
	Isolation Resistance	I/P-O/P:100MΩ/500VDC/77°F/70%RH	
	EMC Emission	FCC Part 15 B	
<b>Loading</b>	1. Loading should be 5-100%. 2. All parameters if NOT specially mentioned are measured at 110VAC input, rated load, and 77°F of ambient temperature. 3. To extend the driver's user life, please reduce the loading at lower input voltage.		

**PRODUCT DIMENSIONS**

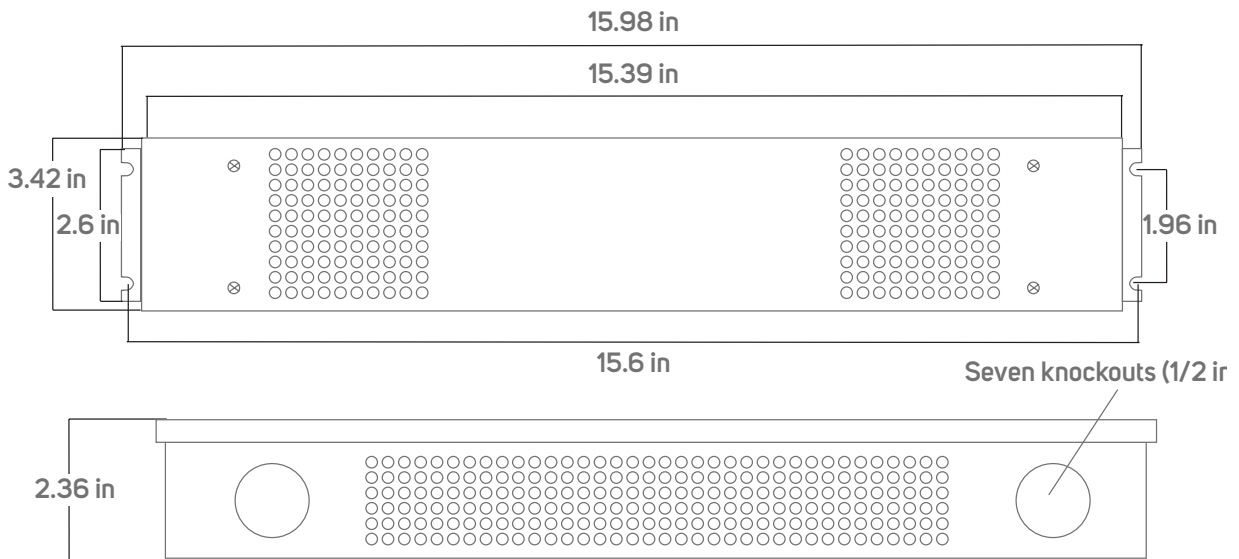
**150W MIRAGE™ DRIVER**



Input black and white wires to be connected to AC. Green wire to be connected to ground. Output red and black wires to be connected to LED lighting.

**150W MIRAGE™ DRIVER WITH JUNCTION BOX**

**FA-MI-TD-12V-150W-J / FA-MI-TD-24V-150W-J**



	<b>DRIVER</b>	<b>DRIVER WITH JUNCTION BOX</b>
<b>Net Weight Driver</b>	3.2 lbs	4.9 lbs
<b>Size</b>	10.07 in x 3.07 in x 1.8 in (L x W x H)	15.98 in x 3.42 x 2.36 in (L x W x H)
<b>Packing</b>	12 in x 11.6 in x 8.26 in 10PCS/CTN	17.5 in x 13.77 in x 8.07 in 10PCS/CTN

## DIMMING OPERATIONS

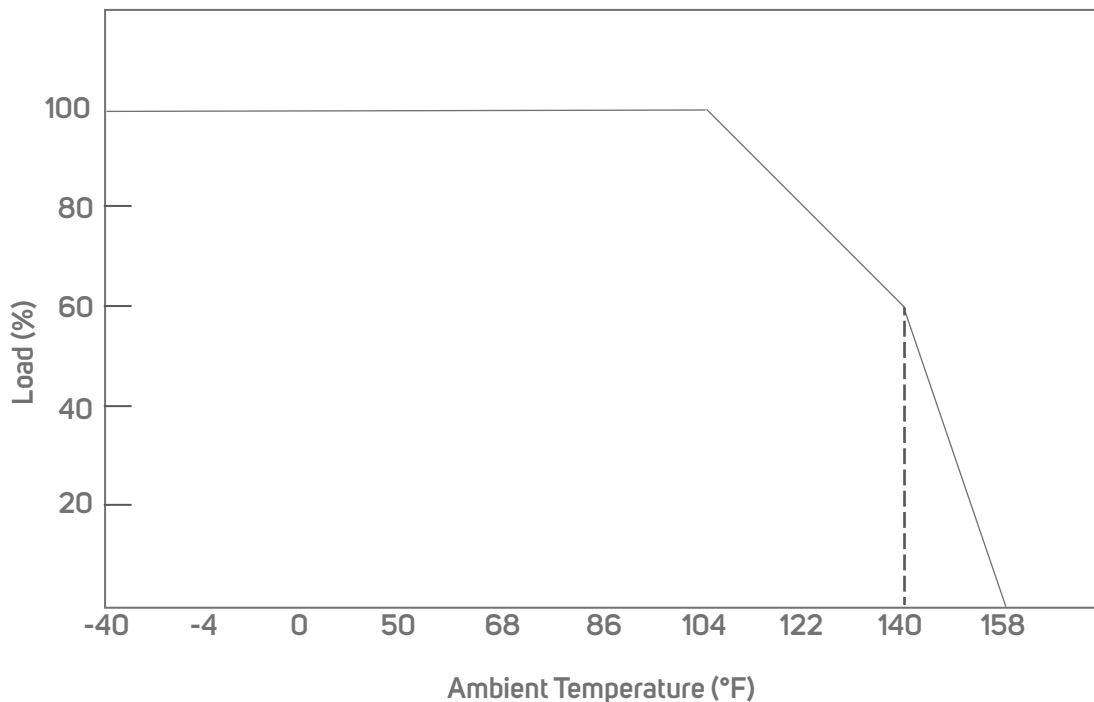
- Dimmable with forward phase (leading edge, magnetic low voltage), triac dimmers.
- The pulse-width modulation (PWM) of output voltage can be adjusted through input terminal of the AC phase line (L) by connecting a phase/triac dimmer.
- Usually matching with forward phase, leading edge, magnetic low-voltage triac dimmers.
- Please try to use dimmers with power at least 2.5 times as the output power of the driver.



### WARNING

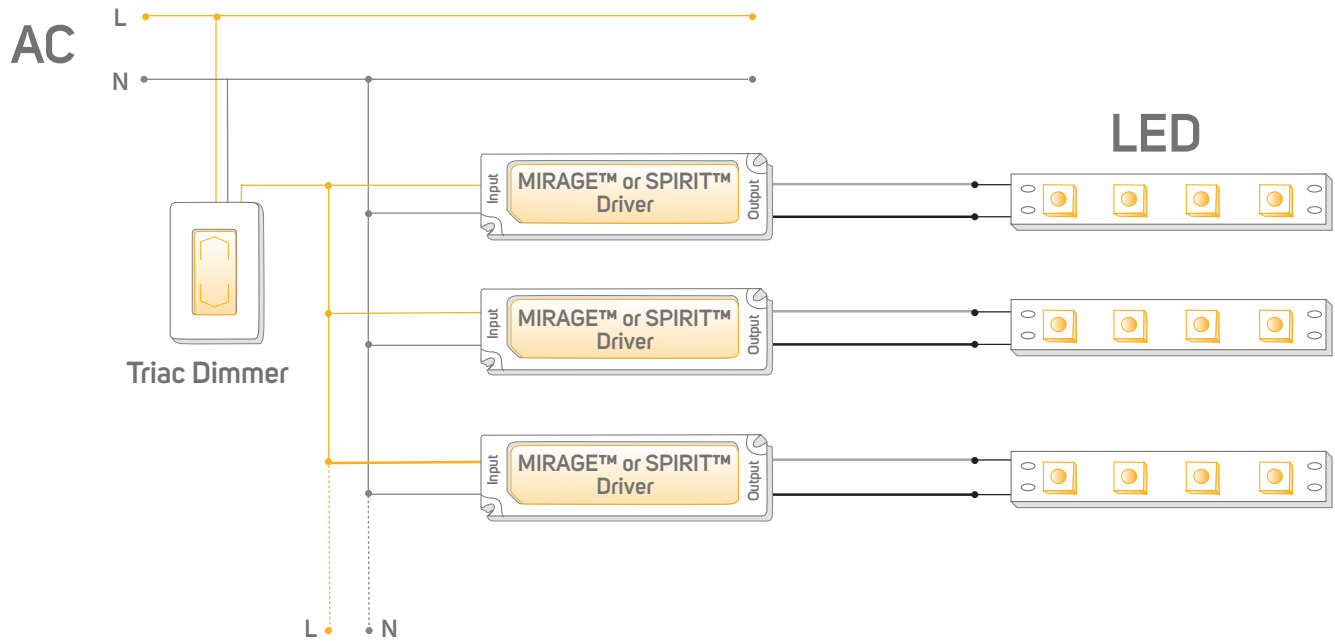
- **Prevent reverse polarity.** Make sure output polarity is correct: RED "+"; BLACK "-".
- **Risk of electric shock.** When used outdoors, install only on a circuit protected by a Class A GFCI.
- **Risk of electric fire.** Installation involves special wiring methods to run wiring through a building structure. Consult a qualified electrician.
- **Risk of electric shock.** Mount the unit at a height greater than 1ft. from the ground surface.

### DERATING CURVE



To extend the life of your driver, refer to the derating curve and derate according to the temperature.

### CONNECTION DIAGRAM



### HAVE QUESTIONS OR NEED HELP WITH YOUR LED SYSTEM?

Contact our technical support team at **1.844.631.9045**

or email us at [support@fantomled.com](mailto:support@fantomled.com).

Visit us online at **[www.fantomled.com](http://www.fantomled.com)**