

**INSTALLATION AND USER INSTRUCTION GUIDE**

**2kW Electric Inset Fire**



**Model: 2599M**


**This product is only suitable for well insulated spaces or occasional use.**

**Read these instructions thoroughly before use and keep for future reference.**



## Important Safety Instructions

When using this electrical appliance, basic precautions should be followed to reduce the risk of fire, electric shock, and injury to person, including the following:

- This heater must be used on an AC supply only and the voltage marked on the heater must correspond to the supply voltage.
- Do not switch the appliance on until it properly installed as described in this manual.
- **The heater must not be located immediately below a socket outlet.**
- Do not leave the appliance switched on when leaving your home or going to sleep.
- Do not leave unattended when plug in to the mains supply.
- This heater is not intended for use by children. Never leave unsupervised children where the heater is left switched ON (I) or unguarded.
- Only use the appliance for domestic purposes and in the way indicated in these instructions.
- From time to time check the cord for damages. Never use the appliance if the cord or any part of the appliance shows any signs of damage.
- **If the supply cord is damaged, it must be replaced by the manufacturer, its service agent or similarly qualified persons in order to avoid a hazard.**
- **WARNING: IN ORDER TO AVOID OVERHEATING, Do not cover the heater.**  A circular icon with a diagonal slash through it, containing a symbol of a heater being covered by a box.
- **Do not use this heater in the immediate surroundings of a bath, a shower or a swimming pool.**
- Make sure the connection cord does not touch any hot surfaces.
- Keep the appliance at least 100cm (1.0m) from walls and any other combustible materials.
- Do not use the appliance outdoors
- Do not use if you have wet hands.
- Never move the appliance by pulling the cord.
- Before cleaning the appliance, make sure it is unplugged from the mains power and that it is completely cool
- Do not clean the appliance with abrasive or chemicals.
- Never use accessories that are not recommended or supplied by the manufacturer.
- Never route the mains cable beneath carpet.
- Never use aerosols or similar close to the heater.
- Never use the heater to dry clothes or any other similar items.
- In order to avoid a hazard due to inadvertent resetting of the thermal cut cut-out, this appliance must not be supplied through an external switching device, such as a timer, or connected to a circuit that is regularly switched on and off by utility.
- This heater must not be used with an extension lead.
- Do not use this heater with a programmer, timer or any other device that switches the heater on automatically, since a fire risk exists if the heater is covered or positioned incorrectly.
- Children should be supervised to ensure that they do not play with the appliance.
- This appliance can be used by children aged from 8 years and above and persons with reduced physical, sensory or mental capabilities or lack of experience or knowledge if they have been given supervision or instruction concerning use of the appliance in a safe way and understand the hazards involved.
- Cleaning and user maintenance shall not be made by children without supervision.
- Children of less than 3 years should be kept away unless continuously supervised.
- Children aged from 3 years and less than 8 years shall only switch on/off the appliance provided that it has been placed or installed in its intended normal operating position and they have been given supervision or instruction concerning use of the appliance in a safe way and understand the hazards involved. Children aged from 3 years and less than 8 years shall not plug in, regulate and clean the appliance or perform user maintenance.

## Unpacking the Appliance

- The heater is supplied in a single pack carton.
- All instructions should be read prior to unpacking or installing the appliance.
- Ensure all parts including loose items have been removed prior to discarding the packaging.
- **Product Checklist**
- 1 piece: Electric heater
- 1 piece: Fret
- 2 piece: Feet
- 1 piece: Coal Bed
- 1 piece: Instruction manual
- **WARNING:** This heater is not equipped with a device to control the room temperature. Do not use this heater in small rooms when they are occupied by persons not capable of leaving the room on their own, unless constant supervision is provided.
- **CAUTION-** Some parts of this product can become very hot and cause burns. Particular attention has to be given where children and vulnerable people are present.

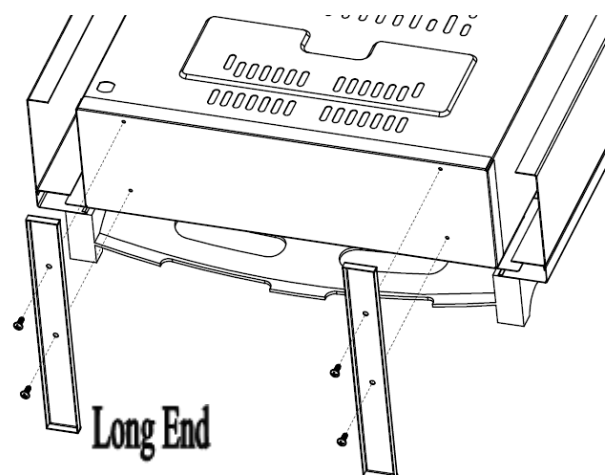
## Installation Instructions

- Do not connect the heater to the mains power supply until all of the instructions have been read and the heater has been properly and securely fitted.
- This heater **MUST** be earthed. If in any doubt consult the manufacturer, its service centre or a qualified person
- This heater must not be directly placed on a carpet or similar material. We recommend that it is placed onto a hearth or similar non-combustible material.
- The heater is suitable for installation into a location that has an opening size within the guidelines shown below:

Dimension	Minimum	Maximum
Width	390mm	483mm
Height	555mm	590mm
Depth	110mm	125mm

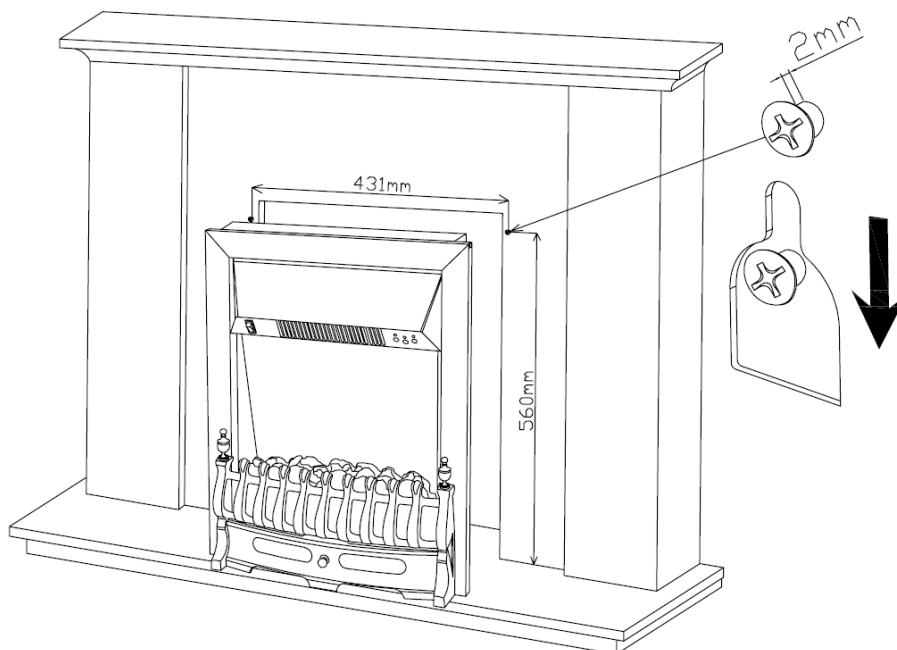
## Using the heater as a portable appliance

- Place the heater face down on a scratch-free and stable surface, to prevent damage to the paint finish or the floor.
- Run the 2 x foot screws through the bottom of foot, and align with the screw holes on the bottom of heater. Ensuring the long end of the foot is at the front of the heater.
- Tighten the 2 x foot screws to attach the foot to the heater.
- Repeat same procedures to fix the other foot.
- Once you have finished fixing the feet, turn the heater right side up.
- Place the fret on the front and bottom of heater as well as decorative coals on the fuel bed.
- 



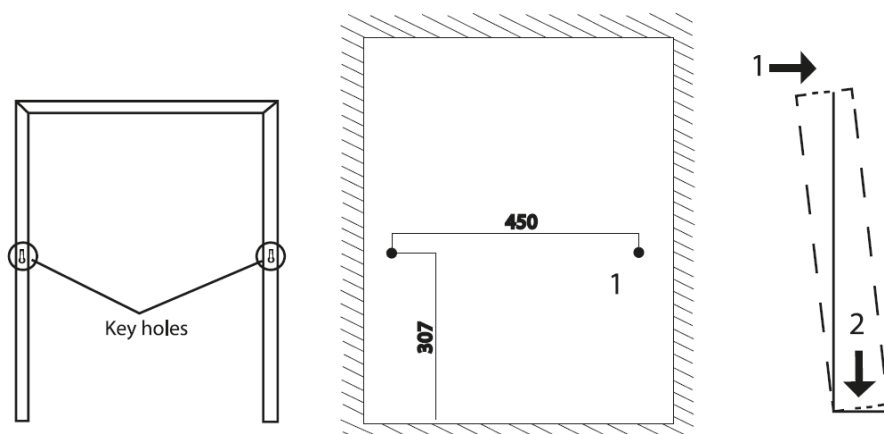
• **Inset Installation (Without spacer)**

- Mark the centre of the opening of the fireplace, measure 215.5mm to the left and the same distance to the right.
- Measure from the hearth 560mm up the wall / back panel, mark the two locations, which are the centre of fixing screws.
- Fit two screws into the marked locations and leave approximately 2mm gap (see diagram below)
- Fit the heater by lifting it onto the two screws then lowering it into place.



• **Flat Wall Installation (With spacer) – Spacer is an optional extra 53mm 018376, 105mm 018384**


- The heater shall be secured to the wall using the 2 keyholes located in the spacer rear by the supplied screws.
  - Fit the two screws into the wall and leave approximately 2mm gap (see diagram below).
- Fit the heater by lifting it onto the two screws then lowering it into place.



## Instructions for Use

- The heater can be operated by the switches located on the left and right hand sides of the canopy.



Switches	Symbol	Functions
ON / OFF switch	O I	O=OFF; I=ON / Flame (without heating)
Heat setting switch	–	1000W heat setting
	O	No heat
	=	2000W heat setting
Thermostat		Rotate thermostat control clockwise or anti-clockwise to achieve desired room temperature.

## Maintenance

- WARNING:** Before any maintenance and / or cleaning of the exterior of the heater, disconnect the heater from the power supply and leave heater to cool down.
- This heater does not use a standard bulb for its flame effect. The heater uses an electronically controlled LED system to create the flame effect therefore no parts need to be replaced. There are no user-serviceable parts on this heater. Under no circumstances should the heater be serviced by anyone other than a qualified electrician.

## Safety Cut-out

- This heater is fitted with a safety cut-out which will operate if the fire overheats (e.g. Due to blocked air vents). For safety reasons, the heater will NOT automatically reset.
- To reset the heater, disconnect the heater from the mains supply for at least 15 minutes. Check air vents for blockages and then reconnect the supply to the mains and switch on the heater.

## Care and Cleaning

- Always disconnect the heater from the mains supply and allow it to cool down before any cleaning operation.
- Trim parts may be cleaned using a clean, damp cloth. Never use abrasive cleaners and chemical agents as damage may occur to the finish.

## Technical Specification

- Supply: 220-240V~ 50Hz
- Rated power: 1800-2000W
- Lighting: LEDs

## General Information

Item	Symbol	Value	Unit	Item	Unit
<b>Heat output</b>				<b>Type of heat input, for electric storage local space heaters only (select one)</b>	
Nominal heat output	$P_{nom}$	1.9	KW	manual heat charge control, with integrated thermostat	Not applicable
Minimum heat output (indicative)	$P_{min}$	0.95	KW	manual heat charge control with room and/or outdoor temperature feedback	Not applicable
Maximum continuous heat output	$P_{max,c}$	1.9	KW	electronic heat charge control with room and/or outdoor temperature feedback	Not applicable
<b>Auxiliary electricity consumption</b>				fan assisted heat output	
At nominal heat output	$e_{l,max}$	0.014 (fan motor)	KW	<b>Type of heat output/room temperature control (select one)</b>	
At minimum heat output	$e_{l,min}$	0.014 (fan motor)	KW	single stage heat output and no room temperature control	[no]
In standby mode	$e_{l,SB}$	0	W	Two or more manual stages, no room temperature control	[no]
				with mechanic thermostat room temperature control	[yes]
				with electronic room temperature control	[no]
				electronic room temperature control plus day timer	[no]
				electronic room temperature control plus week timer	[no]
				<b>Other control options (multiple selections possible)</b>	
				room temperature control, with presence detection	[no]
				room temperature control, with open window detection	[no]
				with distance control option	[no]
				with adaptive start control	[no]
				with working time limitation	[no]
				with black bulb sensor	[no]
Contact details		<b>BE MODERN GROUP</b> <b>19/34 BEDESWAY,BEDE INDUSTRIAL EST</b> <b>JARROW, TYNE AND WEAR NE32 3BE</b>			

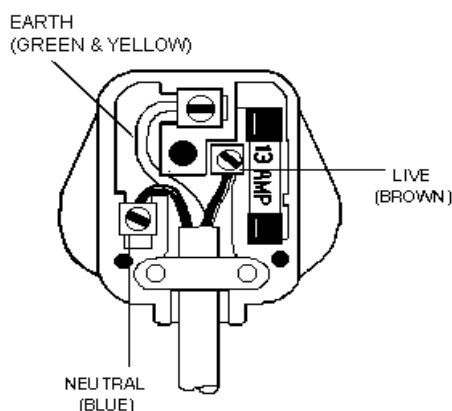
## Electrical Connections - UK Plug Wiring Instruction

- If the plug has to be changed because it is not suitable for your socket, or due to damage, please follow the wiring instructions shown below.
- **The wires in the mains lead are coloured in accordance with the following code:**

<b>BROWN</b>	:	<b>LIVE (L)</b>
<b>BLUE</b>	:	<b>NEUTRAL (N)</b>
<b>GREEN / YELLOW</b>	:	<b>EARTH (E)</b>

*As the colours of the wires in the mains lead of this appliance may not correspond with the coloured markings identifying the terminals in your plug, please adhere to the following:*

- The BLUE wire is the NEUTRAL and must be connected to the terminal which is marked with the letter N or coloured BLACK.
- The BROWN wire is the LIVE and must be connected to the terminal that is marked with the letter L or coloured RED.
- The wire which is coloured GREEN / YELLOW must be connected to the terminal which is marked E or the earth symbol  $\perp$  or coloured GREEN or GREEN / YELLOW.
- Always ensure that the cord grip is positioned and securely fastened.
- **WARNING: THIS APPLIANCE MUST BE EARTHED.**
- *If a 13A (BS1363) fused plug is used it must be fitted with a BS1362 13A fuse. If in doubt consult a qualified electrician.*



## Electric Fire Guarantee

**Be Modern Ltd.** (the 'Company') provides a **Twelve month** guarantee in respect of electric fire (the 'Product') ranges.

- 1. The Twelve month Guarantee applies to:**
  - a. All products in the ranges manufactured by the 'Company' (but subject to the exceptions below): where
  - b. The product has been purchased and installed within the UK and in respect of
  - c. The initial installation: and in favour of
  - d. The original purchaser
- 2. Proof of Purchase must be retained by the Purchaser**
- 3. The Twelve month Guarantee does not apply to:**
  - a. Damage or inferior workmanship practices whilst the 'Product' is being installed**
  - b. Damage caused by mis-use of the 'Product' or where normal standards of care and use have not been complied with.**
  - c. Damage through a malfunction or an inadequately installed electric fire.**
  - d. Damage or defects due to mis-use, accident or unauthorised alterations.**
- 4. During the twelve months after the 'Product' has been supplied, the Guarantee covers the make good (whether by repair or replacement at the Company's option) of defects arising from defective manufacture of materials of 'Product' covered in Para 1 all at no cost to the purchaser on the proviso:**
  - a. The Product has been installed as Be Modern recommendations
  - b. The Purchaser uninstalls the Product and makes it available for collection by Be Modern.

### This Guarantee does not affect your statutory rights

**On requiring service the purchaser should contact the retailer who supplied your product who will assist and advise you as necessary.**



This fire complies with the European Safety Standards (LVD) EN60335-2-30 and the European Electro Magnetic Compatibility (EMC) En55015, EN60555-2 and EN60555-3 which covers the essential requirements of the EEC Directives and 89/336

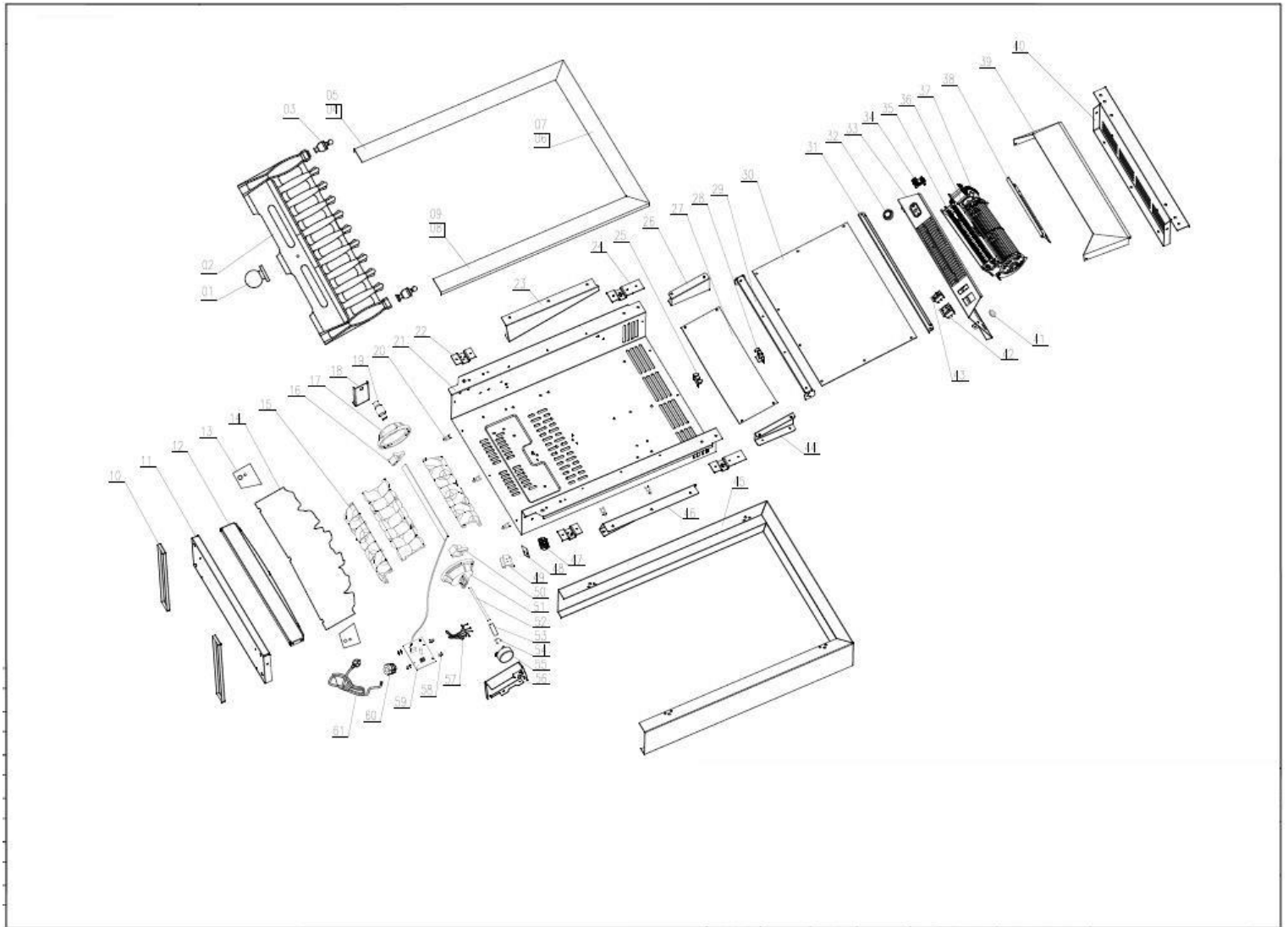
## Disposal Information



This marking indicates that this product should not be disposed with other household waste throughout the EU. To prevent possible harm to the environment or human health from uncontrolled waste disposal, recycle it responsibly to promote the sustainable reuse of material resources. To return your used device, please use the return and collection systems or contact the retailer where the produce was purchased. They can take this product for environmental safe recycling.







14 – Fuel bed