



Copper Thickness
14 gauge

100% Recycled & Lead Free
For Purity & Personality

Drain Opening
1.5" Standard

Installation
Above Counter

THANK YOU

We would like to take this opportunity to thank you for choosing Novatto. We hope you are truly satisfied with our product(s) and enjoy it for years to come. As a small business, we learn the most from you, the customer. Please visit the link below to leave us a review and we'll reward you with a \$25 Amazon or Visa gift card.

It's easy as...

- Go to [novattoinc.com](https://www.novattoinc.com)
- At the top, click *Product Registration*
- Find your product model
- Review, submit and enjoy

COPPER VESSEL SINKS 101

Novatto's master artisans who make our beautiful copper sinks start by melting down recycled copper and pour the liquid copper into molds in order to create copper sheets. All of our products are 100% hand hammered from recycled copper. This tradition of copper crafts and artwork has been handed down from generation to generation by the families of our artisans since the 1500's. A typical sink takes 30,000 hammered strikes to complete. Through years of skill and experience passed down from generations the end result is a one of a kind work of art. Novatto's copper sinks are an excellent way to add value to your existing home.

Each piece of copper features its own natural beauty of color, structural character and texture adding a sense of purity, elegance and distinctive look to any design. Copper sinks can be used either in powder rooms as a centerpiece or in a master bedroom for everyday use.

TOOLS NEEDED FOR ASSEMBLY

(not included)



Questions, problems, missing parts? Before returning to your retailer, call our customer service department at 844.404.4242, 8:00 a.m. - 5 p.m., MT, Monday - Friday. support@novattoinc.com

INSTALLATION INSTRUCTIONS

Copper Vessel Sinks

Please Note:

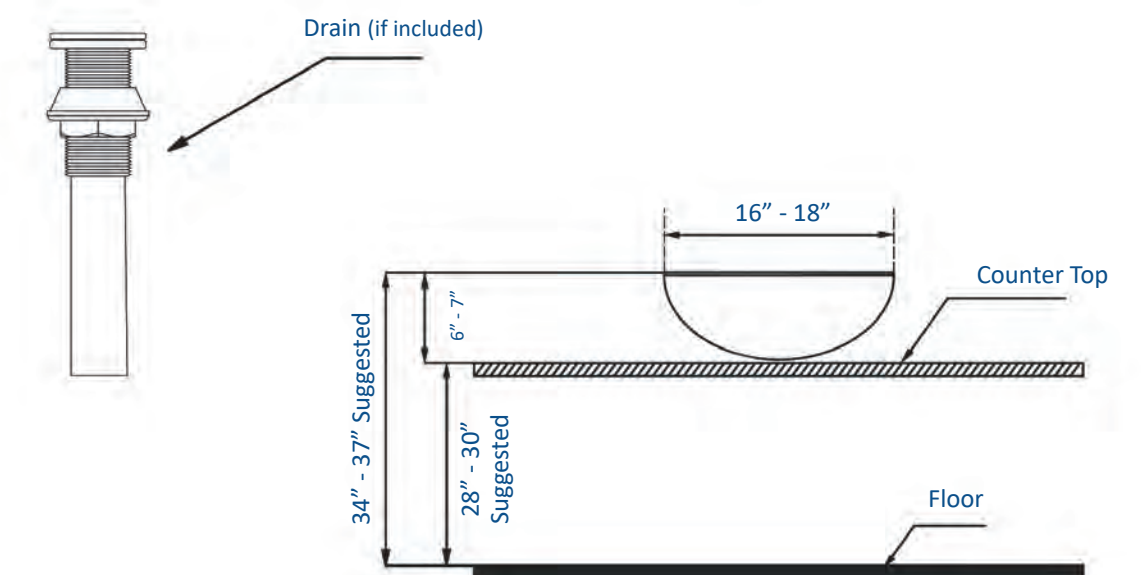
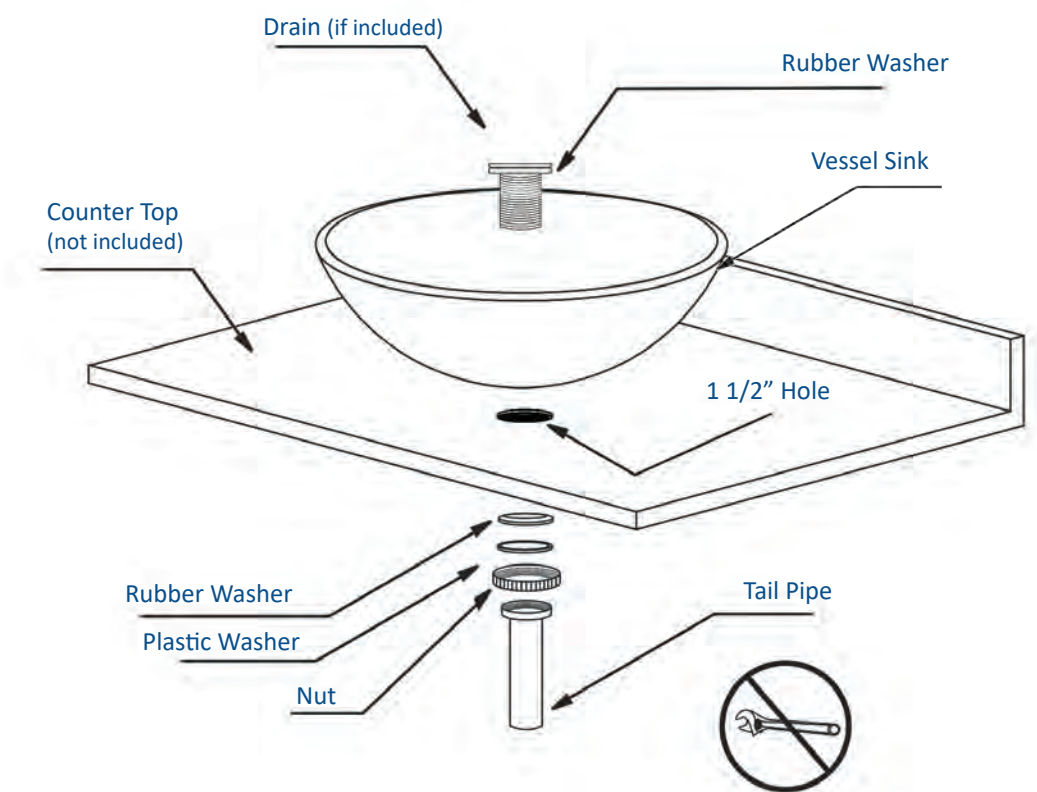
- Review and abide by all building and plumbing codes.
- Use the actual sink for any cutouts.
- Mounting ring not required.
- Novatto sinks need to be installed by a professional.
- Some counters require different cutting methods; seek the details of your chosen countertop material.
- Check to make sure the sink is sealed watertight.



Steps to Complete Your Project

- **Layout and place** the sink and faucet of your choice in the desired location. Using a pencil, mark the bottom of the sink hole and faucet base. Consider the flow of the faucet when making the location.
- **Drill the countertop** for sink drain opening with a 1 1/2-inch drill bit.
 - Note:** If you wish to have the sink completely flush on the countertop, use a 2 1/2 - inch drill bit. This will allow the whole drain flange to sit into the counter. You will also need an extra wide washer when installing the drain fastener under the counter.
- **Place the vessel** on top of the counter and make sure the drain fits down inside the countertop.
- **Use a level** to ensure the vessel is level in every direction and install the drain.
- **Use a bead** of clear silicone to seal between the outside edge of vessel where it is mounted to the counter.
- **The nut on the drain pipe** will secure the vessel to the countertop.
- **When cleaning** do not use abrasive cleaners.

ASSEMBLY



TROUBLESHOOTING TIPS

Issue	Reason	Solution
Sink wobbles or is loose	Drain is loose	Use silicone, tighten drain
Does not completely drain	Drain is too high, wrong seal used	Make sure correct seal is used and is below bevel
Leakage under sink	Drain has come loose	Tighten the fastener under the counter

NOVATTO
WHERE STYLE FLOWS

Novatto | P: 844.404.4242
support@novattoinc.com
NovattoInc.com



WARRANTY

Novatto products have been made under the highest standards of craftsmanship and quality. Due to the natural character of our handcrafted copper products and artisan process, variations in dimensions, color, surface, hue, hammering uniformity and finishes are expected and not considered defects. These variations are more evident in our “natural finish” where some pieces will have variable areas of more black or brown. Novatto offers no warranty with respect to the finishes on the copper products, as the living finishes naturally change over time. Novatto’s copper sinks offer a warranty for defects in workmanship and/or materials for all of our collections when the product was purchased through an authorized Novatto dealer.

Under no circumstance will Novatto or Novatto Inc. be held responsible for any damage as a result during or after product installation. We will not be responsible for any labor or installation charges, or any other expenses associated with a defective product. Novatto’s only responsibility is the replacement, exchange, or repair of a defective product.

If you believe you have a warranty claim, contact Novatto, either through your local Dealer, Plumbing Contractor, Home Center, or by writing: Novatto, Inc., Attn.: Product Support, 3533 E. Corona Ave., Phoenix, AZ, 85040, USA. Please be sure to provide all pertinent information regarding your claim, including a complete description of the problem, the product, model number, color, finish, the date the product was purchased and from whom the product was purchased. Also include your original invoice. For other information, or to obtain the name and address of the service and repair facility nearest you, email: support@novattoinc.com or write to the above address.

Get the most out of your Novatto sink by registering!

By registering, you verify Novatto product’s warranty. Plus you will receive helpful tips and product information, learn of special events and much more.



More questions? Feel free to contact our technical support team anytime. More info is also available at our website.

Novatto | P: 844.404.4242
support@novattoinc.com
NovattoInc.com

CARE AND MAINTENANCE

Copper has been used for thousands of years and is easy to maintain since it does not show fingerprints as stainless steel and other metals would. For basic cleaning, simply use a mild soap and water as other cleaners typically are not necessary. Products such as Renaissance Wax or Flitz Wax may be applied to the copper surface periodically to give it lasting protection. These suggested seals will help maintain the luster of the copper and provide better water runoff. Leave the water running while working with acidic foods or pastes to avoid any reaction.

Copper is a living metal and the patina of our Antique and Natural finishes will all naturally continue to patina over time; meaning they may become a richer, darker color. However, if you would like to keep the copper sink looking like it did when first installed, we recommend waxing the sink every 2-3 months. Our copper sinks are not lacquered or sealed in the manufacturing process and will react to their environment as they develop character. If acidic items such as lemons, ketchup, or red wine sit on these finishes for an extended period of time the finish may be affected, but since copper is a living metal it will heal or re-patina itself over time; often in a matter of days. The beauty of copper is it is ever changing and no two pieces are ever alike giving you a one of a kind work of art!

Warning: Copper sinks can be harmed using some copper cleaners. Copper cleaners can scratch the surface and be abrasive on a copper sink. Also, do not use corrosives such as chlorine, concentrated vinegar or abrasive cleaners.

FAQs

Copper Vessel Sink

Since copper is a living material each piece is unique and one of a kind. Due to the unique handcrafted art of Novatto’s copper products, the tolerance in size of our sinks is +/-0.5” and for our bathtubs it is +/-1.0”. To be sure Novatto’s product fits perfectly in your home; we recommend purchasing the product first and fabricate according.

Warning: Do not use corrosives such as chlorine, vinegar, abrasive cleaners, copper cleaners, and citric acids like lemon or orange juice, harsh chemicals or anything with ammonia or acid. These substances may remove the patina finish of a copper sink. However, if an acidic product removes some of the patina, do not worry the patina will return over time due to its living properties.

Need more help?
Feel free to contact our technical support anytime at 844.404.4242 or email us at: productsupport@novattoinc.com. More information is also available at: www.NovattoInc.com.

Will my copper product from Novatto turn color over time?

Novatto’s finish is not waxed or sealed. Since copper is a living material it can tarnish or darken with time. Remember, copper will always react to how it is used and its surrounding environment.

Do your copper sinks have overflows?

No, none of our copper sinks have overflow holes.

Considering these are handmade what differences should I expect?

All our copper sinks are hand-made from natural copper so variations in color or size are common. Although each one is handmade they can be used for a double vanity or something similar in style.

What gauge of copper is used in my copper sink?

All of Novatto’s copper vessels are a 14 gauge copper, some of the thickest on the market today.

What is Patina or a Living Finish?

The beauty of copper is its living finish or patina. It builds overtime and works as a protective coating. The patina is a rich weathered finish with light and dark tones complementing each other and creating the unique effect of copper. It is also what gives copper its natural anti-bacterial properties. Certain chemicals can strip the patina. These products will remove the finish leaving your sink shiny: Soft Scrub, Drano, Clorox Bleach, or Acids. However, because it is a living finish, it will heal itself. Over time, the copper sink will gradually return to the rich brown color and cover up spots or scratches.



Copper Vessel Sink Guide