

INSTALLATION INSTRUCTIONS

Please Note:

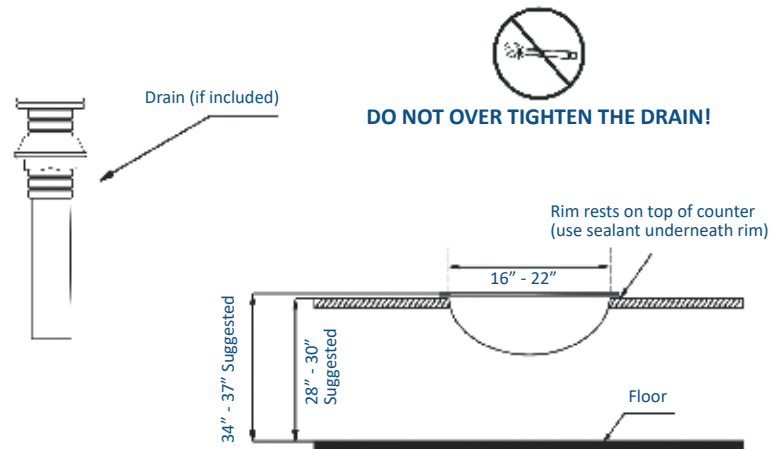
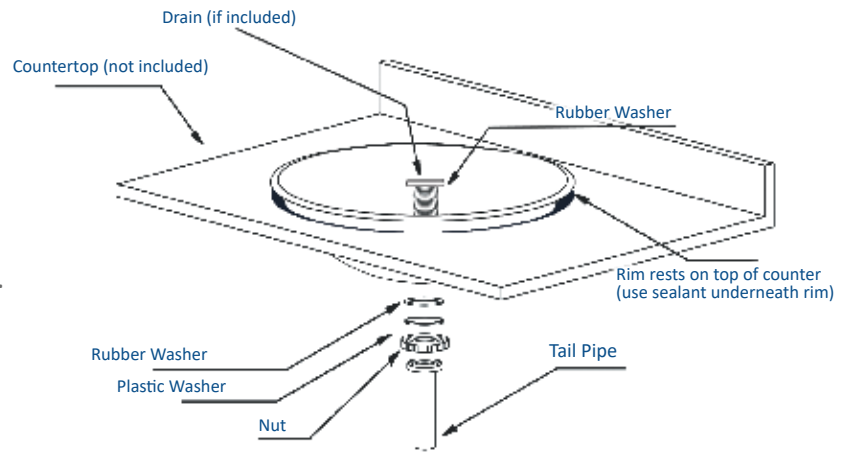
- Review and abide by all building and plumbing codes.
- Novatto sinks need to be installed by a professional.
- Some counters require different cutting methods; seek the details of your chosen countertop material.
- Check to make sure the sink is sealed watertight.
- Use non-abrasive cleaners when cleaning up.
- Allow adequate room for faucet and backsplash when laying out the sink

Steps to Complete Your Drop-in Sink Project

- **For layout**, use the actual basin as your template. Place it upside down on counter and mark countertop by tracing edge of the sink. Allow clearance for faucet and other accessories.
- **Measure *inside edge*** of lip and mark the countertop accordingly
- **Cut counter** midway in-between the two lines. Before applying silicone, place the sink in the cut-out to ensure a nice fit.
- **Apply silicone** around cut-out on countertop, and place sink in cut-out.
- **Use a level** to ensure the sink is level in every direction.
- **Carefully** remove any excess silicone
- **Install the drain** according to specs when the sink has fully set.
- **When cleaning** do not use abrasive cleaners.

Drop-In Models:
TCU-001, TCU-002, TCU-003, TCU-004, TCU-005, TCU-006,
TCU-013, TCU-014, TCU-018

DROP-IN ASSEMBLY



TOOLS NEEDED FOR ASSEMBLY (not included)



Questions, problems, missing parts? Before returning to your retailer, call our customer service department at 844.404.4242, 8:00 a.m. - 5 p.m., MT, Monday - Friday. Or email us at: support@novattoinc.com

TROUBLESHOOTING TIPS DROP-IN

Issue	Reason	Solution
Finish is changing color or is shiny	Abrasive cleaners, soaps or other factors constantly in contact with finish.	Stop using abrasives. Finish will heal over time.
Does not completely drain	Drain is too high, wrong seal used	Make sure correct seal is used and is below bevel
Leakage under sink	Drain has come loose	Tighten the fastener under the counter