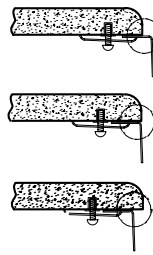


INSTALLATION INSTRUCTIONS

Please Note:

- Review and abide by all building and plumbing codes.
- Novatto sinks need to be installed by a professional.
- Some counters require different cutting methods; seek the details of your chosen countertop material.
- Check to make sure the sink is sealed watertight.
- Use non-abrasive cleaners when cleaning up.
- Allow adequate room for faucet and backsplash when laying out the sink

UNDERMOUNT ASSEMBLY

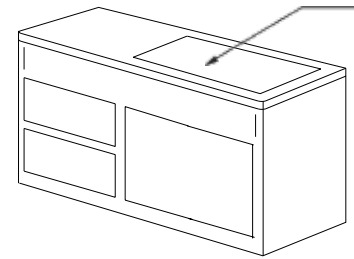


3/8" Positive reveal - counter sits 3/8" back from edge of sink

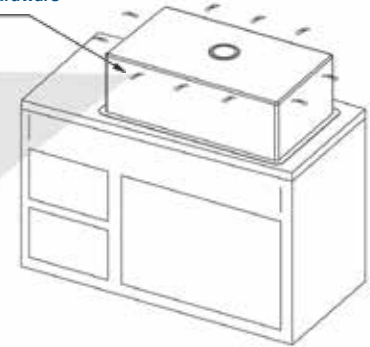
Flushed reveal - counter is flush with edge of sink

1/8" Negative reveal - counter extends 1/8" over edge of sink (most popular)

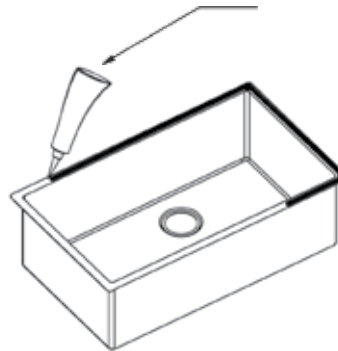
Cut opening carefully into countertop



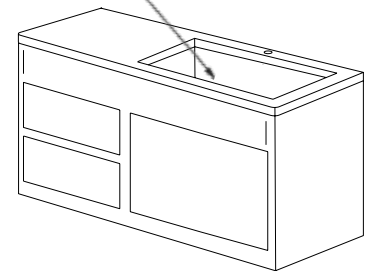
Attach mounting hardware (not included)



Bead of silicone adhesive around rim of sink



Install drain and faucet (not included); connect water supply



Steps to Complete Your Undermount Sink Project

- **Determine reveal type:** positive, flush or a negative reveal.
- **For layout,** use the actual sink as the template. Place it upside down on counter and mark the countertop by tracing the edge of the sink. Remember to allow clearance for faucet and other accessories.
- **Measure inside edge** of lip and mark counter accordingly.
- **Cut countertop** on inside line. Before applying silicone, place the sink under the cut-out to ensure a nice fit.
- **Mounting clips** (not included) should be used for extra support.
- **Apply silicone** around hole on underside of countertop, and position sink accordingly.
- **Carefully** remove any excess silicone.
- **Install the drain (not included)** and fixtures (not included) according to specs once the sink has fully set.

TOOLS NEEDED FOR ASSEMBLY

Specialized tools may be necessary to install Novatto's Undermount sink with countertop materials other than wood, marble, or granite.



Questions, problems, missing parts? Before returning to your retailer, call our customer service department at 844.404.4242, 7:00 a.m. - 5 p.m., MST, Monday - Friday. Or email us at: support@novattoinc.com

TROUBLESHOOTING TIPS - UNDERMOUNT

| Issue | Reason | Solution |
|---|--|---|
| Sink seems to be sagging / separating from countertop | Silicon didn't set long enough before using; mounting clips not used | Reseal, set for 24hrs; add clips or brackets to secure the sink |
| Does not completely drain | Drain is too high, wrong seal used | Make sure correct seal is used and is below bevel |
| Finish is changing color or is shiny | Abrasive cleaners, soaps or other factors constantly in contact with it. | Stop using abrasives. Finish will heal over time. |