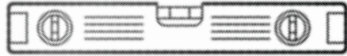


TOOLS NEEDED FOR ASSEMBLY

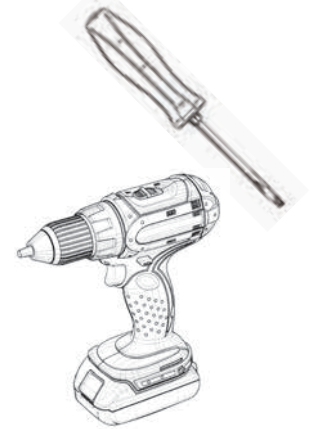
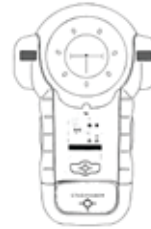
(not included)



Natural Cure
Silicone Sealant



Stud
Finder



Questions, problems, missing parts? Before returning, call our customer service department: 844.404.4242, 8:00 a.m. - 5 p.m., MST Monday - Friday or e-mail us at: support@novatto.com

THANK YOU

We would like to take this opportunity to thank you for choosing Novatto. We hope you are truly satisfied with our product(s) and enjoy it for years to come. As a small business, we learn the most from you, the customer. Please visit the link below to leave us a review along with high res images and you could win a \$25 Amazon or Visa gift card.

It's easy as...

- Go to novatto.com
- In the search bar, type in model ID
- Click on your model; scroll down
- On the right, click *Write a review*
- Review, submit and enjoy!

NOVATTO
WHERE STYLE FLOWS

Novatto | P: 844.404.4242
support@novatto.com
Novatto.com



Steps to Complete Your Project

Please Note:

- Review and abide by all building and plumbing codes.
- We recommend consulting a professional if you are unfamiliar with installing bathroom fixtures, countertops and plumbing.
- Our counters do NOT require any drilling or cutting. Drain and faucet holes are pre-dilled for you!
- Vanity has a hole pre-cut in the back for plumbing and is pre-assembled! Only the door handles need to be attached.
- Use the vanity's specification sheet as a reference when planning the vanity's placement. The spec sheet can be found/downloaded from the product's page on Novatto's website.
- The vanity's specification measurements are approx. and slight variations may occur; we highly recommend performing any rough-in procedures with the vanity on site.

Novatto's vessel sink (if purchased) is to be installed sitting on the stone countertop (if purchased), on top of the *mounting ring if the ring and drain were purchased. After the vessel sink is mounted on top of the counter, the vessel height will be between 34" to 36".

**A mounting ring adds stability to rounded bottom sinks as well as raises the sink up by half an inch for easy underneath cleaning.*

- **Ensure the bathroom floor** is level. Also make sure there is adequate support behind the bathroom wall if you will be using the tip-resistant strap provided or securing the vanity to the wall.
- **Unpack the pre-assembled** vanity and inspect for any shipping damages. If OK, jump to the next step. If not, contact Customer Support at: support@novatto.com or 844-404-4242.

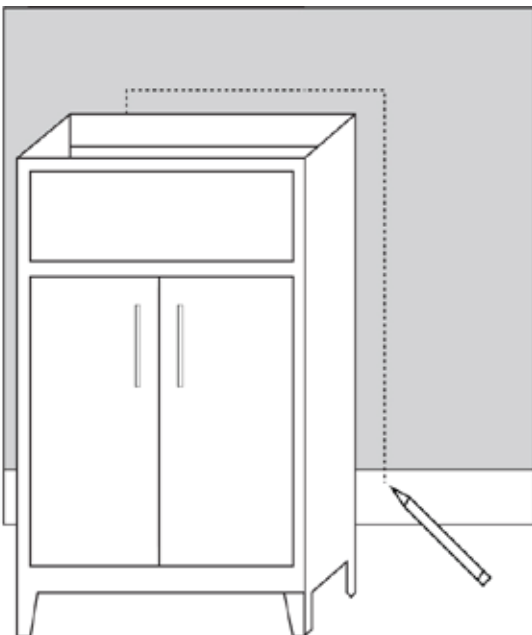
INSTALLATION INSTRUCTIONS



NOBV-30SG-CARBN-324C w/ GF-136CH & PUD-BN-MR

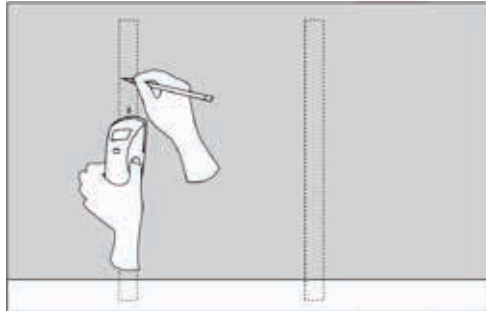
Vanity, Hardware & Countertop

- **Attach a door handle** to each door using the provided door handle screws.
- **Determine the location** of the vanity and mark the area on the wall where it will be installed.



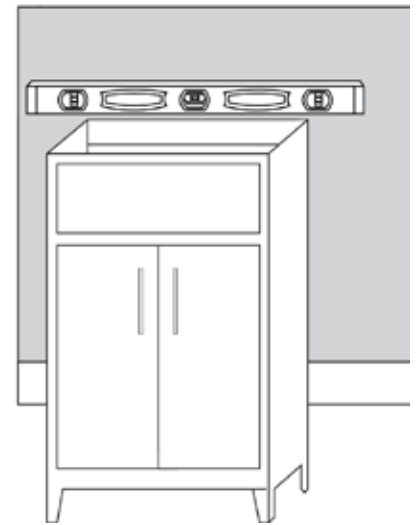
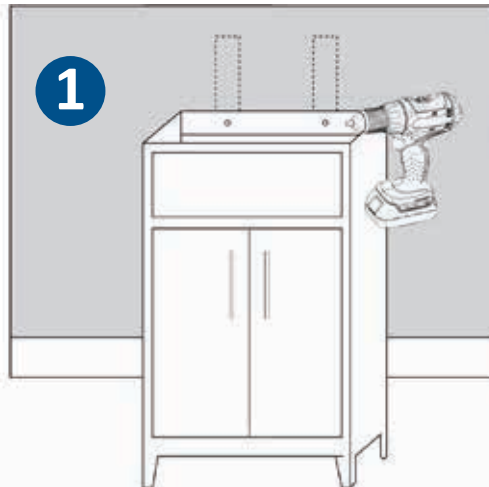
ASSEMBLY

- **Locate and mark** the location of the studs, utilizing your stud finder, if you choose to secure the vanity to the wall and will be using the tip-resistant strap provided or are selecting to screw the vanity directly to the wall. (If not using one of these methods, skip to the next step.)



- **Place the vanity** in the installation location. Verify the vanity cabinet is level. If the vanity is not level, using a leveler, adjust the feet up to 1/2-inch if necessary.

- **If attaching the vanity** to the wall, here is one of two methods: (1) screwing through the mounting rail in the back of the vanity cabinet into the wall studs.



IMPORTANT: Consult an expert for the proper screws/ bolts/anchor sleeves to use when attaching to various wall constructions. The screw provided with the tip-resistant strap is **NOT** to be used for this method.

TROUBLESHOOTING TIPS

Issue	Reason	Solution
Vanity wobbles or appears to lean to one side	Vanity or floor is slightly uneven	Use a leveler and adjust the self-adjusting feet until level
Vanity feels unstable or not secure	Vanity might need to be braced or reinforced	Secure vanity to wall w/ either provided tip-resistant strap or screws

WARRANTY

Novatto products have been made under the highest standards of craftsmanship and quality. Each product of ours undergoes strict quality control testing to ensure years of enjoyment. Novatto offers a warranty for defects in workmanship and/or materials when the product was purchased through an authorized Novatto dealer.

Novatto's vanities are backed by Novatto's Lifetime Limited warranty. Novatto warrants to the original consumer purchaser for as long as the original consumer purchaser owns their home (the "Warranty Period" for homeowners), this sink will be free from defects in material and workmanship. All other purchasers including purchasers for industrial, commercial and business use are excluded from this warranty. Warranties are not transferable, between homes or owners and are only applicable to residential use.

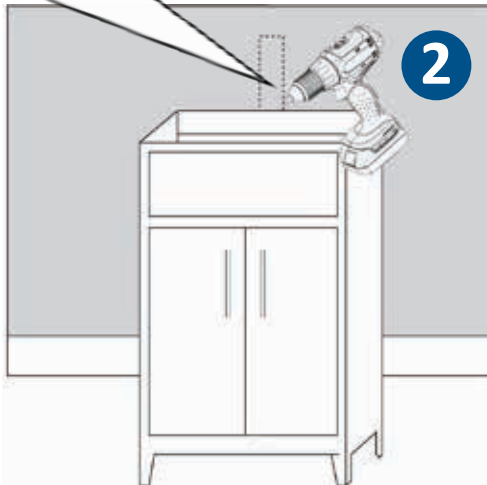
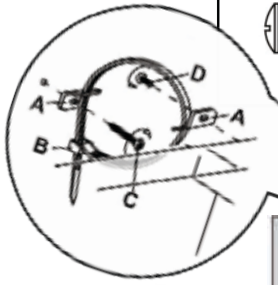
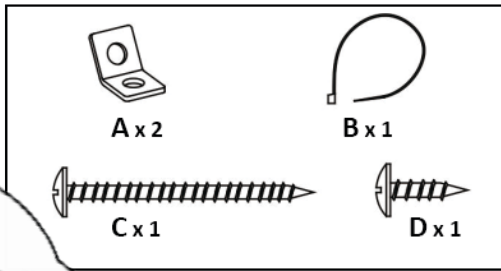
Under no circumstance will Novatto be held responsible for any damage as a result during or after product installation. We will not be responsible for any labor or installation charges, freight cost, lost profit or any other expenses associated with a defective product. Novatto's only responsibility is the replacement, exchange, or repair of a defective product. Novatto will not be responsible for product failures due to lack of maintenance. We will not be held responsible for any damage or product failure due to improper installation, misuse, or failure to use a licensed professional. Please read the care and maintenance documentation to determine the limits of proper use.

If you believe you have a warranty claim, contact Novatto, either through your local Dealer, Plumbing Contractor, Home Center, or by writing: Novatto Inc, Attn.: Product Support, 3533 E. Corona Ave., Phoenix, AZ 85048, USA. Please be sure to provide all pertinent information regarding your claim, including a complete description of the problem, the product, model number, color, finish, the date the product was purchased and from whom the product was purchased. Also include the original sales receipt. For other information, or to obtain the name and address of the service and repair facility nearest you, email: support@novatto.com.

Novatto makes no implication our products comply with any or all local building or plumbing codes. It is the consumer's responsibility to determine local code compliance. This warranty extends to the original purchaser and first consumer.

Need more help?

Feel free to contact our technical support anytime at 844.404.4242 or email us at support@novatto.com. More information is also available at www.Novatto.com.



- **Method (2) using the tip-resistant strap.**
(If not using one of these two methods, skip to the next step.)

- **Apply a small bead** of silicone around the top perimeter of the vanity body. With assistance from another person, slowly and carefully set the counter top onto the vanity cabinet. Once positioned, press firmly into place.



Wipe away any excess sealant using a damp cloth. If adding a backsplash go to the next step. If done, skip to the last step.

- **If installing** a backsplash, place a generous amount of silicone sealant on the back of it and press it into place against the bathroom wall. Fill any gaps left with silicone sealant. Wipe away any excess sealant with a damp cloth.



Allow the silicone sealant to dry, which could take up to 24 hours.

Get the most out of your Novatto product by registering!

By registering, you verify Novatto product's warranty. Plus you will receive helpful tips, learn of special events and much more!