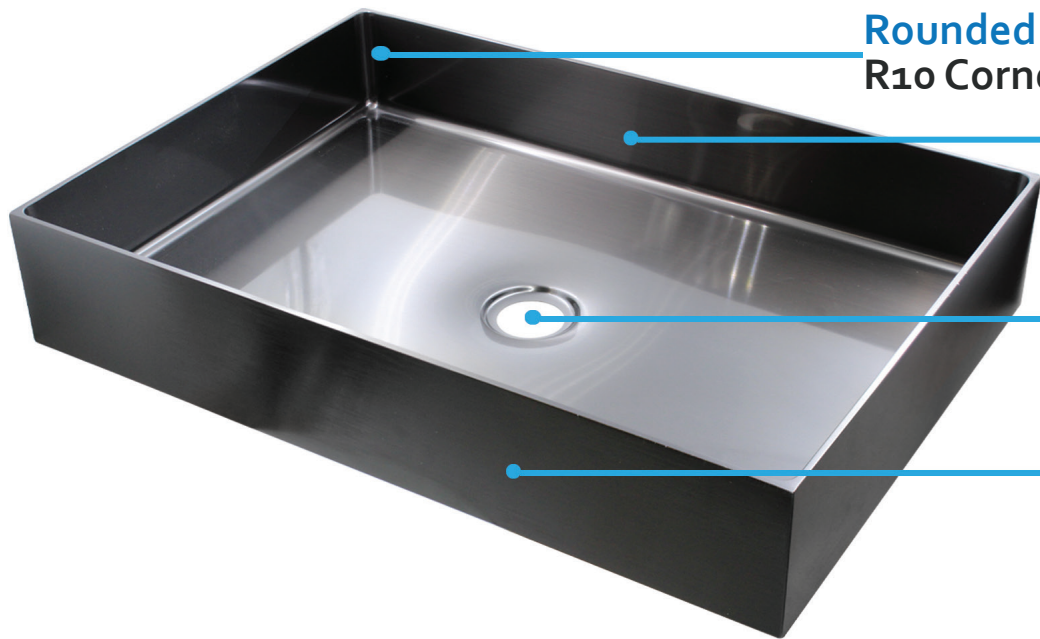




NOVATTO

WHERE STYLE FLOWS

Stainless-steel Vessel Sink Guide



Rounded
R10 Corners

304 Stainless Steel
Stain Proof

No
Overflow

Thick Sidewalls
5.3mm / 0.20"

THANK YOU

We would like to take this opportunity to thank you for choosing Novatto. We hope you are truly satisfied with our product(s) and enjoy it for years to come. As a small business, we learn the most from you, the customer. Please visit the link below and leave us a review with a good, high-resolution image and you could win a \$25 Amazon or Visa gift card.

It's easy as...

- Go to novatto.com
- Find your product's page
- Scroll 1/2 way down, on the right click the white button "Write a review"
- Review, submit... enjoy!

NOVATTO
WHERE STYLE FLOWS

Novatto | P: 844.404.4242
support@novatto.com
Novatto.com



STAINLESS STEEL SINK 101

There is much mystery and speculation behind the discovery of this wonderful material, but there is no question that without the combined effort of all the scientists and metallurgists, from Hans Goldschmidt in 1895, to Leon Guillet in 1904 to Harry Brearley in 1913, who was trying to keep gun barrels from rusting so quickly, we would not have such a rich and versatile metal at our fingertips.

Now a days, stainless steel sinks come in many shapes. You can choose an oval, circular, square, rectangle or even an organic shaped sink like the popular "river" bar sinks. You don't have to worry about cutting a matching hole for it - just secure the sink to the countertop with silicone adhesive and a sink's drain assembly will hold it in place.

TOOLS NEEDED FOR ASSEMBLY (not included)



Questions, problems, missing parts? Before returning to your retailer, call our customer service department at 844.404.4242, 8:00 a.m. - 5 p.m., MT, Monday - Friday, or email support@novatto.com.

INSTALLATION INSTRUCTIONS

Stainless Steel Vessel Sinks

Please Note:

- Review and abide by all building and plumbing codes.
- Use the actual sink for any cutouts.
- Novatto sinks need to be installed by a professional.
- Some counters require different cutting methods; seek the details of your chosen countertop material.
- To be sure Novatto's product fits perfectly in your home; we recommend purchasing the product first and fabricate according.



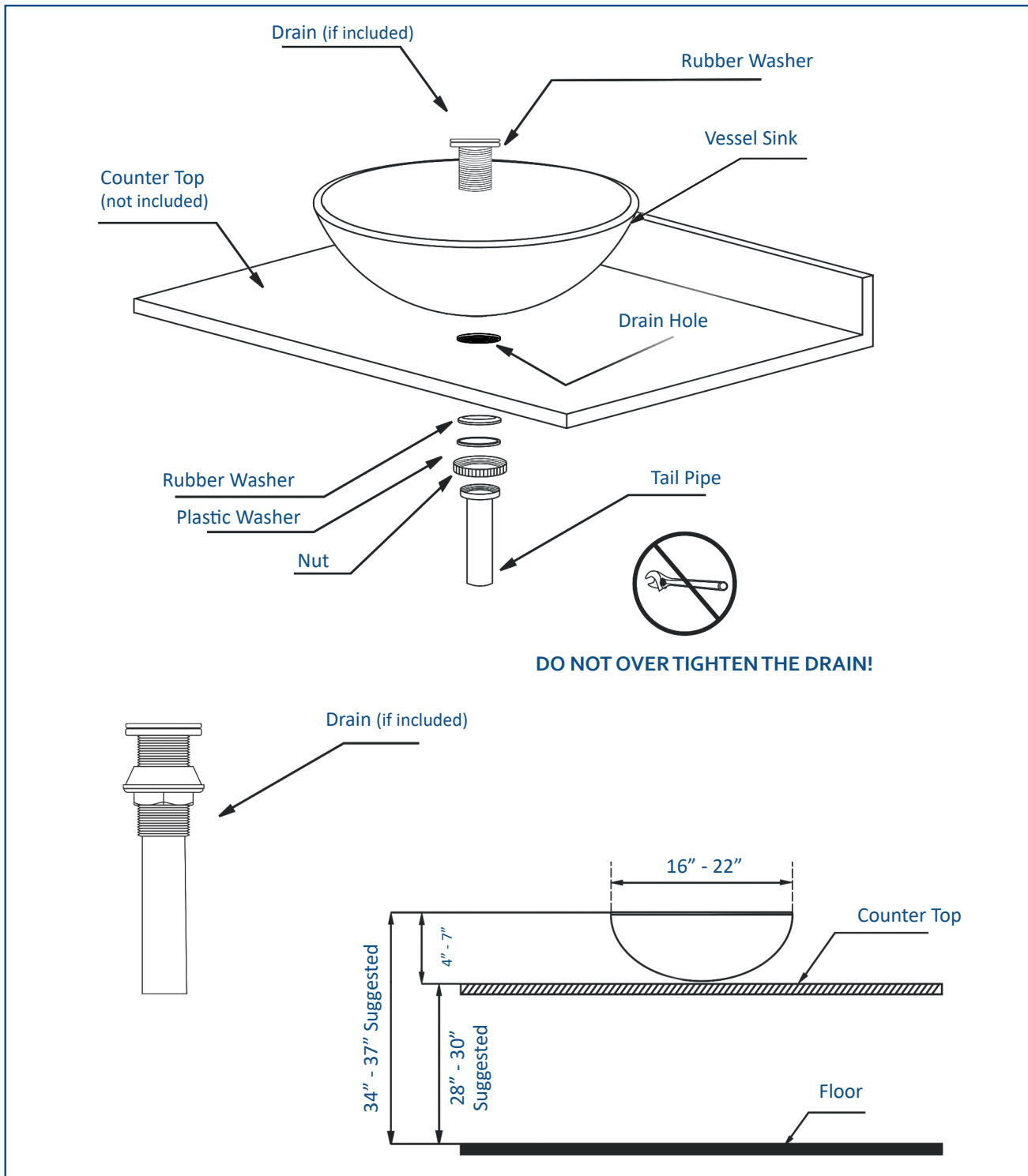
NSRV-023GM Gunmetal Black
Stainless Steel Sink

Steps to Complete Your Project

- **Layout and place** the sink along with the faucet you choose for the bath in the desired location. Using a pencil, mark the bottom of the sink hole and faucet base. Consider the flow of the faucet when marking the location.
- **For the sink's drain opening**, drill into the countertop with a 1.5" drill bit or smaller, especially if you do NOT know the diameter of the drain you will be using. Easier to drill out smaller amounts than fill-in a hole that is too large.
- **Place the vessel** on top of the counter and make sure the drain fits through the sink and down inside the countertop.
- **Use a level** to ensure the vessel is level in every direction and install the drain.
- **Use a bead** of clear silicone to seal between the outside edge of vessel where it is mounted to the counter.
- **Tightening the nut** on the drain pipe will secure the vessel to the countertop.

When cleaning up after installation, do not use abrasive cleaners. Use soft soap and warm water with a washcloth to clean the surface.

ASSEMBLY



TROUBLESHOOTING TIPS

<u>Issue</u>	<u>Reason</u>	<u>Solution</u>
Sink wobbles or is loose	Silicone was not used; Drain is loose	Use silicone; Tighten drain
Does not completely drain	Wrong sealant used; Drain is too high	Make sure correct sealant is used; Drain sits below bevel
Leakage under sink	Drain has come loose; Silicon not used under drain flange	Tighten drain's fastener; Add silicon under flange

CARE AND MAINTENANCE

Stainless-steel has been used for many years and is easy to maintain. There are different grades of stainless steel starting from 200 to 400. Stainless steel from the 300 series is the most commonly used, such as 316 which be found in commercial kitchens, surgical equipment, and marine steel used for swimming pool and seawater applications to 304 which can be found in grills, kitchen appliances, internal parts, sinks and outdoor kitchen cabinetry.

All 200 to 400 series of stainless steel contains some iron. 304 graded stainless steel is stain proof, corrosion resistance and is generically called 18-8 stainless because it contain 18 percent chrome and 8 percent nickel. The rest of it is iron. If there is a rust problem, it is more than likely caused by the actions of the users. People have a tendency to use steel wool (even fine steel wool), which wrecks the passive nature of the surface. Some cleaning compounds can also cause problems.

For basic cleaning, simply use a mild soap and water as other cleaners typically are not necessary. Products such as Bar Keepers Friend, Bon Ami or wipes made for cleaning stainless steel work great and will get the mineral and water stains off. These suggested cleaners will also help maintain the luster of the stainless steel and provide better water runoff. Make sure to rub only with the grain, or you'll make your sink appear all scratched up!

Warning: Stainless steel sinks can be harmed using fine steel wool which can scratch the surface and be abrasive. Also, do not use bleaches or cleansers containing bleach nor products not specially created for stainless steel.

FAQs

Stainless Steel Sinks

What grade of stainless steel is used in my sink?

All of Novatto's stainless steel sinks are 304 graded, the dominant grade used in applications like saucepans, sinks and appliances. It has excellent corrosion resistance in many environments though pitting and crevice corrosion can occur in environments containing chlorides. Remember when cleaning, only use products made for stainless steel to avoid issues and make sure to clean with the grain, or your product may appear as if it is all scratched up!

What makes a 304 graded stainless steel so good?

Grade 304 stainless steel is generally regarded as the most common austenitic stainless steel. It contains high nickel content that is typically between 8 and 10.5% by weight and a high amount of chromium at approximately 18 to 20% by weight. Other major alloying elements include manganese, silicon, and carbon. The remainder of the chemical composition is primarily iron.

The high amounts of chromium and nickel give 304 stainless steel excellent corrosion resistance and is great for fasteners, piping and appliances such as dishwasher, refrigerator and sinks. Plus, it is typically more affordable than say a Grade 316 stainless steel item.

Will my stainless steel product from Novatto rust over time?

Only if you try to make the sink look good by using any kind of steel wool to polish the surface. This leaves microscopic particles of steel behind which then start to rust and corrode into the surface of the stainless. If you insist on polishing the sink, do it with a non-metal abrasive cleaner and material.

NOVATTO
WHERE STYLE FLOWS

More questions? Feel free to contact our technical support team anytime. More info is also available at our website.

Novatto | P: 844.404.4242
support@novatto.com
Novatto.com

WARRANTY

Novatto products have been made under the highest standards of craftsmanship and quality. Due to the natural character of stainless steel products variations in grain, surface, and hue are expected and are not considered defects. Novatto offers no warranty with respect to the finishes on the stainless steel products, as over time there might be blemishes or scratches. Novatto's stainless steel sinks offer a limited lifetime warranty for defects in workmanship and/or materials when the product is purchased through an authorized Novatto dealer.

Under no circumstance will Novatto or Novatto Inc. be held responsible for any damage as a result during or after product installation. We will not be responsible for any labor or installation charges, or any other expenses associated with a defective product. Novatto's only responsibility is the replacement, exchange, or repair of a defective product.

If you believe you have a warranty claim, contact Novatto, either through your local dealer, plumbing contractor, Home Center, or by writing: Novatto, Inc., Attn.: Product Support, 3533 E. Corona Ave., Phoenix, AZ, 85040, USA.

Get the most out of your Novatto sink by registering!

By registering, you verify Novatto product's warranty. Plus you will receive helpful tips and product information, learn of special events and much more.

Please be sure to provide all pertinent information regarding your claim, including a complete description of the problem, the product, model number, color, finish, the date the product was purchased and from whom the product was purchased. Also include your original invoice. For other information, email support@novatto.com or write to the above address.

Warning: Do not use corrosives such as chlorine, vinegar, abrasive cleaners, bleach or harsh chemicals or anything with ammonia or acid near or on your stainless steel product. These substances may damage the finish. And ALWAYS, clean with the grain, or you'll make your stainless steel product appear all scratched up!

Need more help? Feel free to contact our technical support anytime at 844.404.4242 or email us at: productsupport@novatto.com. More information such as spec sheets and guides are also available at: www.Novatto.com.