

INSTALLATION INSTRUCTIONS

Stainless Steel Vessel Sinks

Please Note:

- Review and abide by all building and plumbing codes.
- Use the actual sink for any cutouts.
- Novatto sinks need to be installed by a professional.
- Some counters require different cutting methods; seek the details of your chosen countertop material.
- To be sure Novatto's product fits perfectly in your home; we recommend purchasing the product first and fabricate according.

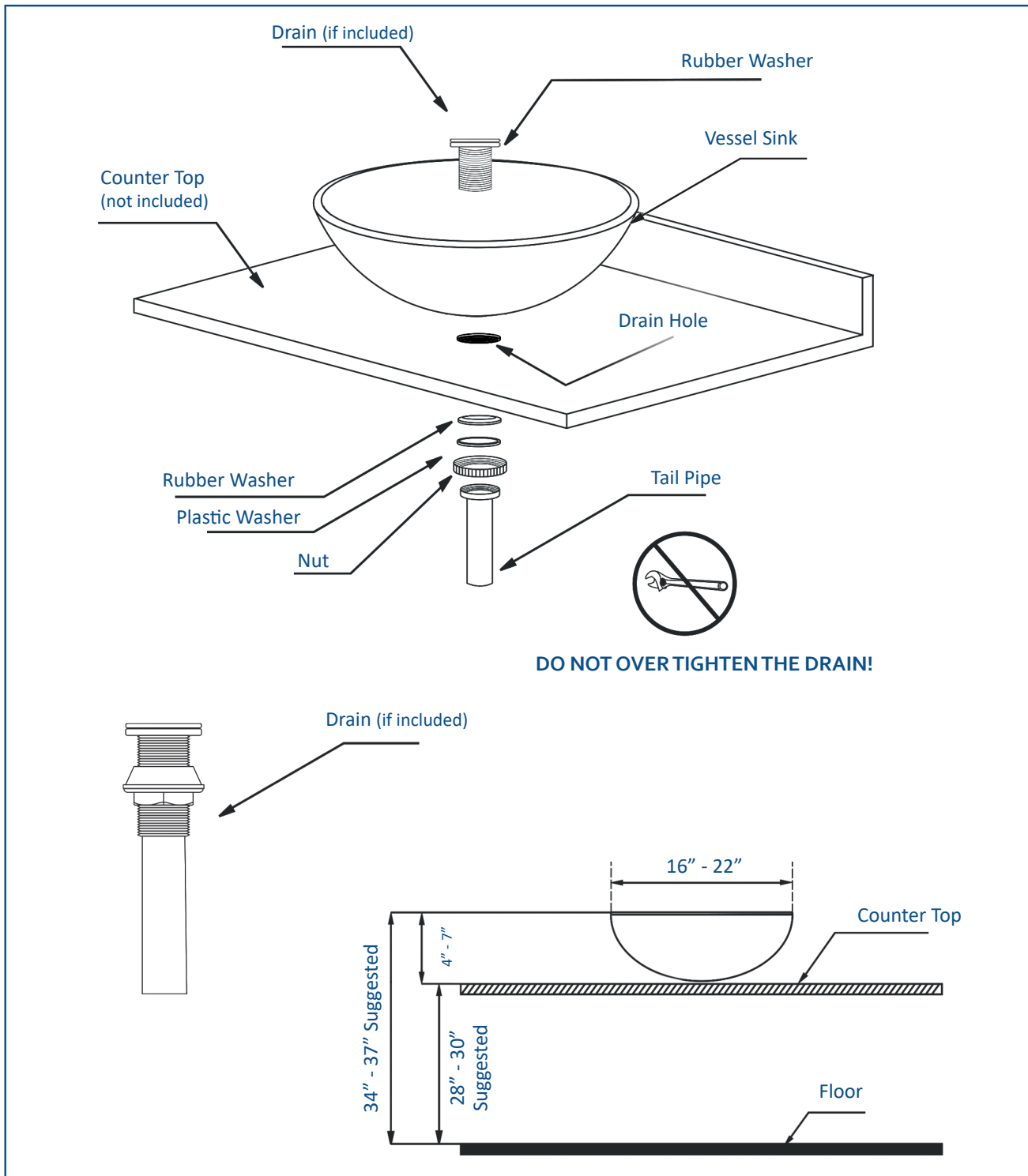


Steps to Complete Your Project

- **Layout and place** the sink along with the faucet you choose for the bath in the desired location. Using a pencil, mark the bottom of the sink hole and faucet base. Consider the flow of the faucet when marking the location.
- **For the sink's drain opening**, drill into the countertop with a 1.5" drill bit or smaller, especially if you do NOT know the diameter of the drain you will be using. Easier to drill out smaller amounts than fill-in a hole that is too large.
- **Place the vessel** on top of the counter and make sure the drain fits through the sink and down inside the countertop.
- **Use a level** to ensure the vessel is level in every direction and install the drain.
- **Use a bead** of clear silicone to seal between the outside edge of vessel where it is mounted to the counter.
- **Tightening the nut** on the drain pipe will secure the vessel to the countertop.

When cleaning up after installation, do not use abrasive cleaners. Use soft soap and warm water with a washcloth to clean the surface.

ASSEMBLY



TROUBLESHOOTING TIPS

<u>Issue</u>	<u>Reason</u>	<u>Solution</u>
Sink wobbles or is loose	Silicone was not used; Drain is loose	Use silicone; Tighten drain
Does not completely drain	Wrong sealant used; Drain is too high	Make sure correct sealant is used; Drain sits below bevel
Leakage under sink	Drain has come loose; Silicon not used under drain flange	Tighten drain's fastener; Add silicon under flange