

Copper Thickness
16 Gauge

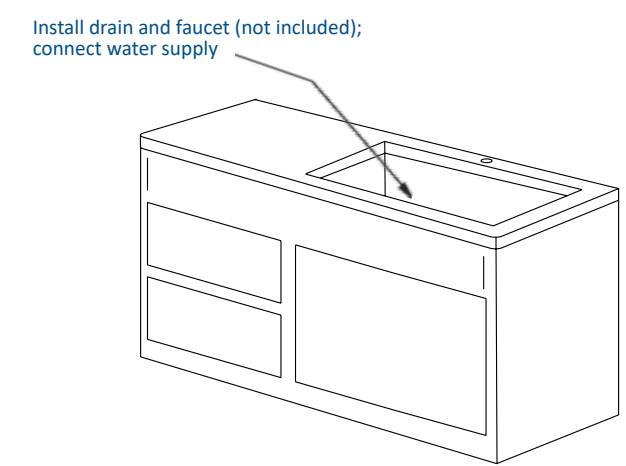
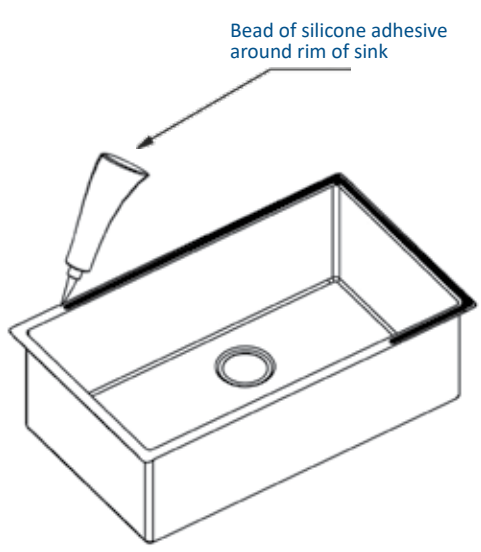
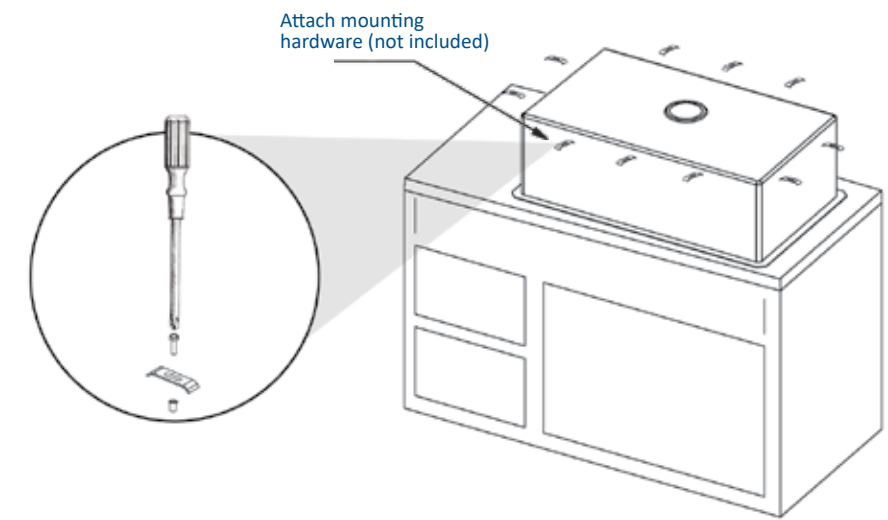
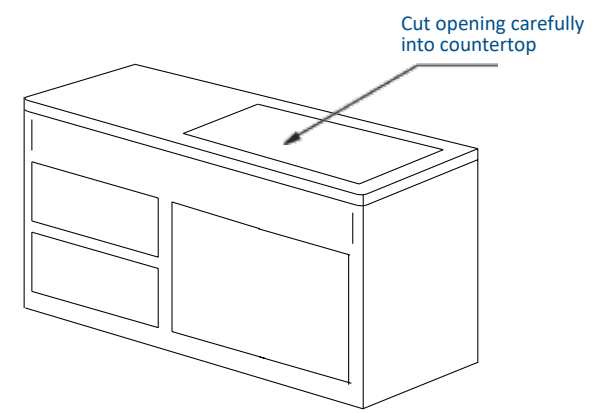
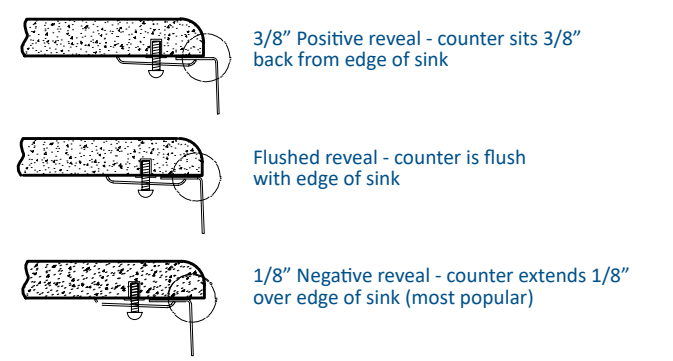
Artisan Crafted
Handmade

Drain Opening
3.5" Standard

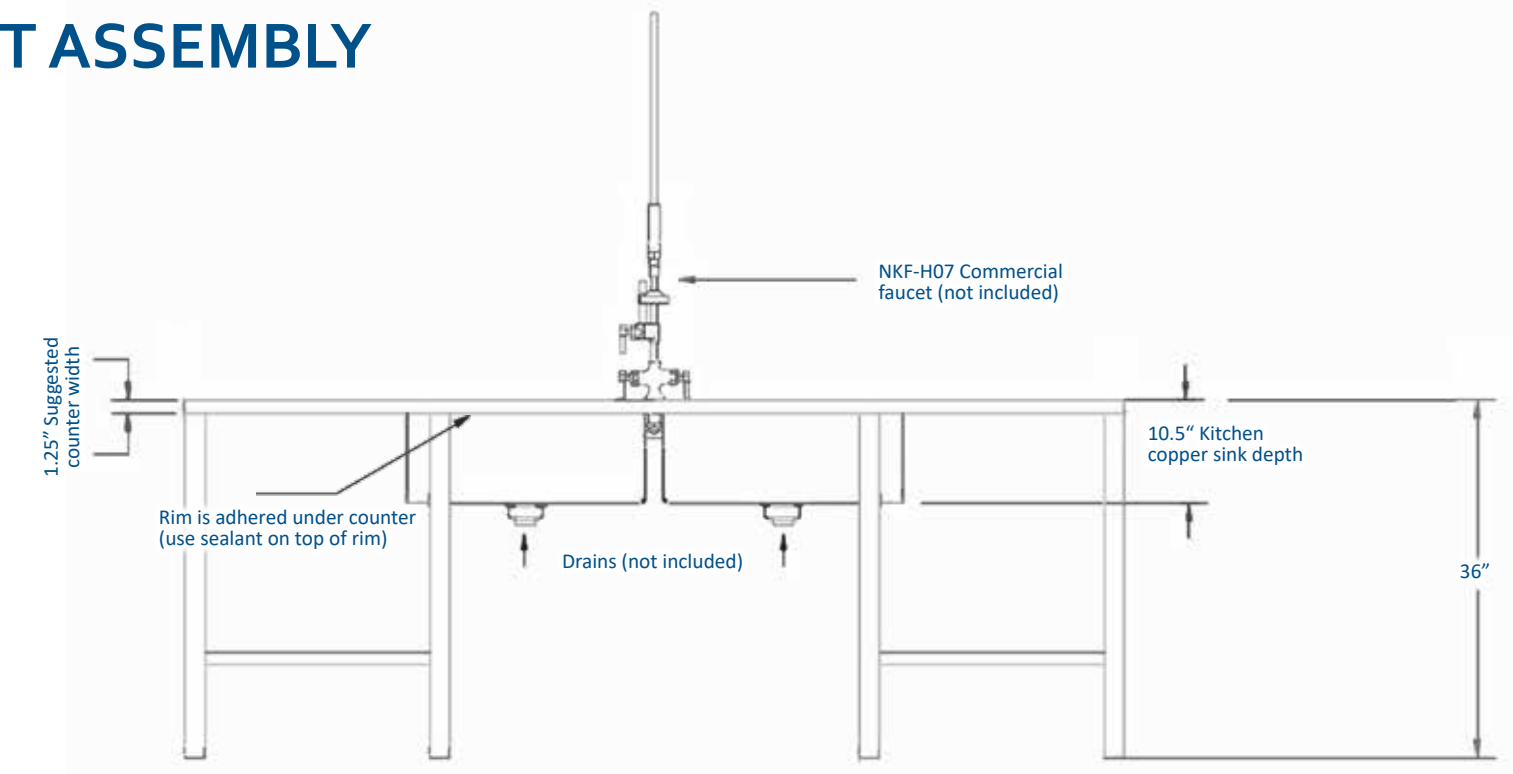
Installation
Apron Front or Undermount

Steps to Complete Your Undermount Sink Project

- **Determine reveal type:** positive, flush or a negative reveal.
- **For layout,** use the actual sink as the template. Place it upside down on counter and mark the countertop by tracing the edge of the sink. Remember to allow clearance for faucet and other accessories.
- **Measure *inside* edge** of lip and mark counter accordingly.
- **Cut countertop** on inside line. Before applying silicone, place the sink under the cut-out to ensure a nice fit.
- **Mounting clips** (not included) should be used for extra support.
- **Apply silicone** around hole on underside of countertop, and position sink accordingly.
- **Carefully** remove any excess silicone.
- **Install the drain (not included)** and fixtures (not included) according to specs once the sink has fully set.



UNDERMOUNT ASSEMBLY



TROUBLESHOOTING TIPS - UNDERMOUNT		
Issue	Reason	Solution
Sink seems to be sagging / separating from countertop	Silicon didn't set long enough before using; mounting clips not used	Reseal, set for 24hrs; add clips or brackets to secure the sink
Does not completely drain	Drain is too high, wrong seal used	Make sure correct seal is used and is below bevel
Finish is changing color or is shiny	Abrasive cleaners, soaps or other factors constantly in contact with it.	Stop using abrasives. Finish will heal over time.

Apron Front & Undermount Sinks - Please Note:

- Review and abide by all building and plumbing codes.
- Novatto sinks need to be installed by a professional.
- Evaluate your current or desired cabinetry. If you are building or remodeling a kitchen from scratch, you will be able to choose cabinets specifically made for farmhouse kitchen sinks. The importance of the cutout is the doors below will be built according to the area needed for the sink chosen.
- Novatto recommends using the actual sink for any cuts as no templates are available.
- Be careful when unpacking the sink, we advise setting it on the packing it was received with.
- When cleaning up after installation, **DO NOT USE ABRASIVE CLEANERS**, as they may damage the finish on the copper. Use soft soap and warm water with a washcloth to clean the surface.

CARE AND MAINTENANCE

For basic cleaning, simply use a mild soap and water as other cleaners typically are not necessary. Products such as Renaissance Wax or Flitz Wax may be applied to the copper surface periodically to give it lasting protection. These suggested seals will help maintain the luster of the copper and provide better water runoff. Leave the water running while working with acidic foods or pastes to avoid any reaction.

Copper is a living metal and the patina of our Antique and Natural finishes will all naturally continue to patina over time; meaning they may become a richer, darker color. However, if you would like to keep the copper sink looking like it did when first installed, we recommend waxing the sink every 2-3 months. Our copper sinks are not lacquered or sealed in the manufacturing process and will react to their environment as they develop character. If acidic items such as lemons, ketchup, or red wine sit on these finishes for an extended period of time the finish may be affected, but since copper is a living metal it will heal or re-patina itself over time; often in a matter of days. The beauty of copper is it is always changing and no two pieces are ever alike, giving you a one-of-a-kind work of art!

Warning: Copper sinks can be harmed using some copper cleaners. Copper cleaners can scratch the surface and be abrasive on a copper sink. Also, do not use corrosives such as chlorine, concentrated vinegar or abrasive cleaners.

THANK YOU

We would like to take this opportunity to thank you for choosing Novatto. We hope you are truly satisfied with our product(s) and enjoy it for years to come. As a small business, we learn the most from you, the customer. Please visit the link below to leave us a review and we'll reward you with a \$25 Amazon or Visa gift card.

It's easy as...

- Go to novattoinc.com
- At the top, click *Product Registration*
- Find your product model
- Review, submit and enjoy

COPPER KITCHEN SINKS 101

Novatto's master artisans, who make our beautiful kitchen copper sinks, start by melting down recycled copper and then pour the liquid copper into molds in order to create copper sheets. All of our copper products are 100% hand hammered from recycled copper. This tradition of copper crafts and artwork has been handed down from generation to generation by the families of our artisans since the 1500's. Through years of skill and experience the end result is a one of a kind work of art.

Each piece of copper features its own natural beauty of color, structural character and texture adding a sense of purity, elegance and distinctive look to any design. Novatto's copper kitchen sinks are not just a centerpiece in your kitchen they are also up to the task for everyday use.

TOOLS NEEDED FOR ASSEMBLY (not included)

Specialized tools may be necessary to install Novatto's undermount or apron front sinks with countertop materials other than wood, marble, or granite.



Questions, problems, missing parts? Before returning to your retailer, call our customer service department at 844.404.4242, 7:00 a.m. - 5 p.m., MST, Monday - Friday. Or email us at: support@novattoinc.com



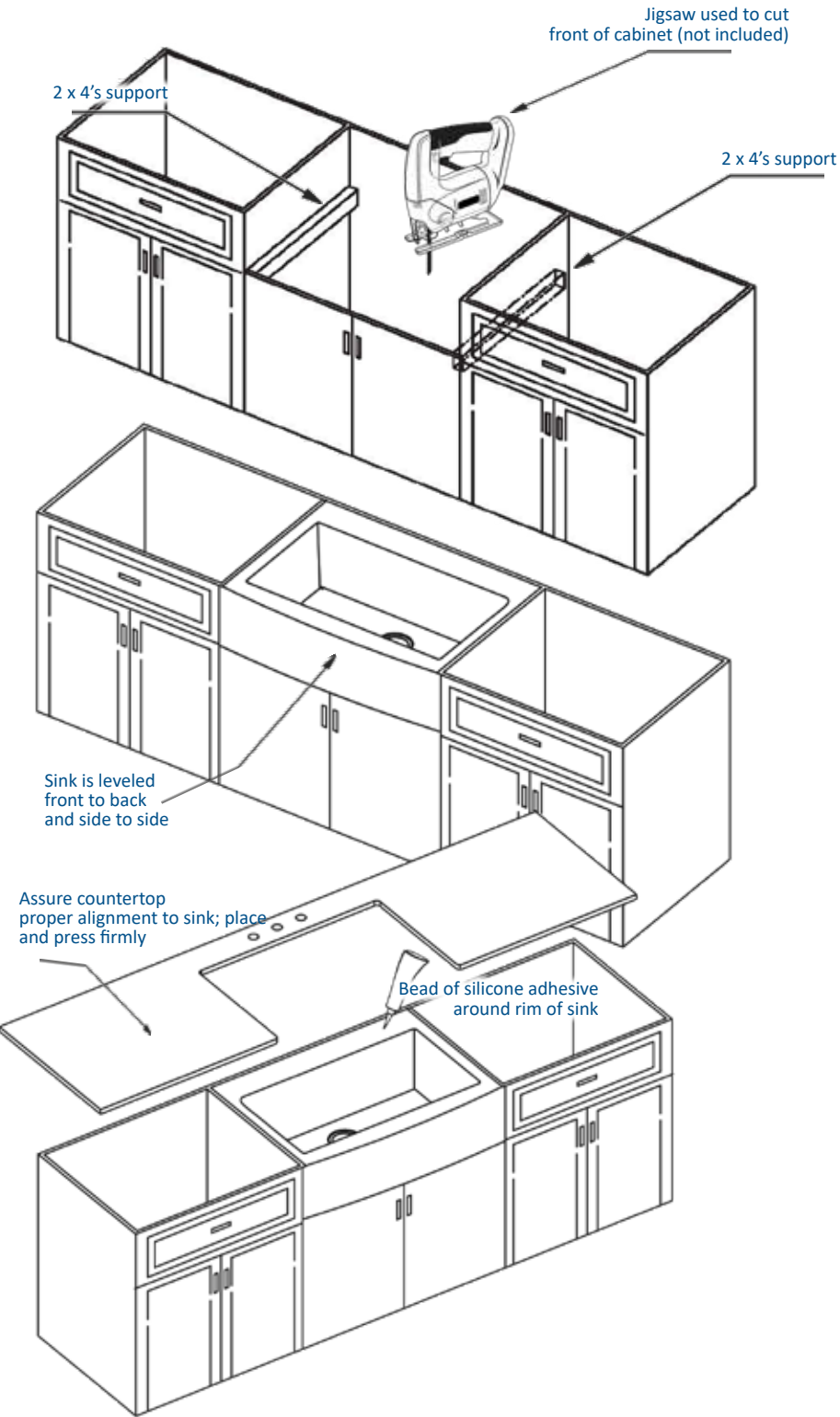
Novatto | P: 844.404.4242
support@novattoinc.com
NovattoInc.com



APRON FRONT ASSEMBLY

Steps to Complete Your Apron Front Sink Project

- **For layout**, center the sink and allow for faucets, handles and backsplashes. Use a pencil to outline the sink as the guide for the cut-out. Keep in mind the edge reveal (if desired) before cutting. Depending on the installation type, make proper cut-out in the countertop.
- **Create a custom support** using 2 x 4's which will adequately hold the weight of the sink from underneath.
- **Place the sink** on top of cabinet or into the cabinet front cut-out. Apply silicone as a gasket between sink and cabinet.
- **Make sure sink** is leveled from front to back as well as side to side.
- **Apply a bead** of silicone around top edge of sink. Make sure countertop is centered properly and place accordingly. Remove any excess silicone from any surfaces.
- **Install the drain (not included)** according to the drain's installation instructions.



Apron Front Models:
TCK-001AN, TCK-005AN, TCK-008AN, TCK-009AN

WARRANTY

Novatto products have been made under the highest standards of craftsmanship and quality. Due to the natural character of our handcrafted copper products and artisan process, variations in dimensions, color, surface, hammering uniformity, hue and finishes are expected and not considered defects. These variations are more evident in our “natural finish” where some pieces will have variable areas of more black or brown. Novatto offers no warranty with respect to the finishes on the copper products, as the living finishes naturally change over time. Novatto’s copper sinks offer a warranty for defects in workmanship and/or materials for all of our collections when the product was purchased through an authorized Novatto dealer.

Under no circumstance will Novatto or Novatto Inc. be held responsible for any damage as a result during or after product installation. We will not be responsible for any labor or installation charges, or any other expenses associated with a defective product. Novatto’s only responsibility is the replacement, exchange, or repair of a defective product.

If you believe you have a warranty claim, contact Novatto, either through your local Dealer, Plumbing Contractor, Home Center, or by writing: Novatto, Inc., Attn.: Product Support, 3533 E. Corona Ave., Phoenix, AZ, 85040, USA. Please be sure to provide all pertinent information regarding your claim, including a complete description of the problem, the product, model number, color, finish, the date the product was purchased and from whom the product was purchased. Also include your original invoice. For other information, or to obtain the name and address of the service and repair facility nearest you, email: support@novattoinc.com or write to the above address.

Get the most out of your Novatto sink by registering!

By registering, you verify Novatto product’s warranty. Plus you will receive helpful tips and product information, learn of special events and much more.

Since copper is a living material each piece is unique and one of a kind. Due to the unique handcrafted art of Novatto’s copper products, the tolerance in size of our sinks is +/-0.5” and for our bathtubs it is +/-1.0”. To be sure Novatto’s product fits perfectly in your home; we recommend purchasing the product first and fabricate according.

Need more help?
Feel free to contact our technical support anytime at 844.404.4242 or email us at: productsupport@novattoinc.com. More information is also available at: www.NovattoInc.com.



Kitchen Copper Sink Guide

FAQs

Will my copper product from Novatto turn color over time?

Novatto’s finish is not waxed or sealed. Since copper is a living material it can tarnish or darken with time. Remember, copper will always react to how it is used and its surrounding environment.

What is Patina or a Living Finish?

The beauty of copper is its living finish or patina. It builds overtime and works as a protective coating. The patina is a rich weathered finish with light and dark tones complementing each other and creating the unique effect of copper. It is also what gives copper its natural anti-bacterial properties. Certain chemicals and products can strip the patina and remove the finish, leaving your sink shiny: Acids, Drano, Soft Scrub or Clorox Bleach. However, because it is a living finish, it will heal itself. Over time the copper sink will gradually return to the rich brown color and cover up spots or scratches.

Considering these are handmade what differences should I expect?

All our copper sinks are handmade from natural copper so variations in size or color are common. A size allowance of 1/2-inch is expected.

What gauge of copper is used in my copper sink?

All of Novatto’s kitchen copper vessels are all made from 16 gauge copper.

Are there clips included with my copper undermount sink?

Novatto does not provide sink clips and you may not be needing them depending on the installation. Mounting clips are readily available from any home or hardware store.

TROUBLESHOOTING TIPS - APRON FRONT

Issue	Reason	Solution
Finish is changing color or is shiny	Abrasive cleaners, soaps or other factors constantly in contact with finish.	Stop using abrasives. Finish will heal over time.
There is a gap on the side	Sink wasn’t installed level	Make sure your professional installer levels the sink perfectly
Sink seems to be sagging from countertop	Proper sink supports were not used	2 x 4’s need to be built into the cabinet to support the weight