

THANK YOU

We would like to take this opportunity to thank you for choosing Novatto. We hope you are truly satisfied with our product(s) and enjoy it for years to come. As a small business, we learn the most from you, the customer. Please visit the link below to leave us a review with a high resolution picture and you could win a \$25 Visa or Amazon gift card.

It's easy as...

- Go to novatto.com and your product's page
- Scroll half way down, on the right is a white button that says "Write a review"
- Click on it
- Review, submit... enjoy!

INSTALLATION INSTRUCTIONS

Please Note:

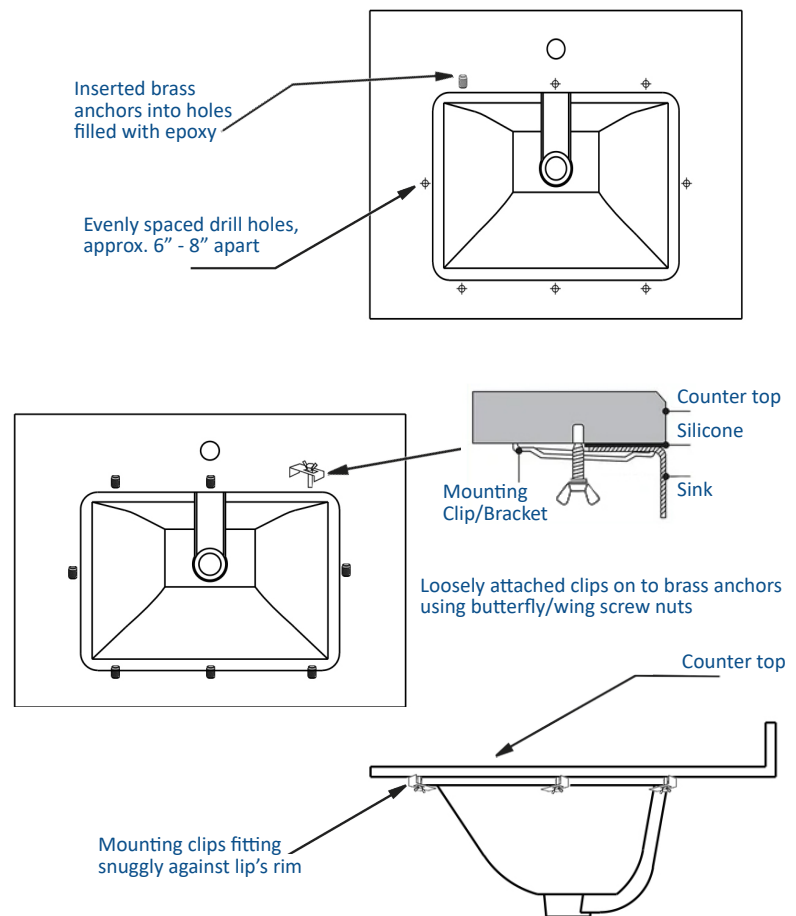
- Review and abide by all building and plumbing codes. Sinks (not included) and clips need to be installed by a licensed professional.
- Novatto recommends consulting an experienced cabinet maker for assistance and providing them with the actual sink (not included) and clips to ensure a custom fit and properly drilled pilot holes.
- If installing your undermount sink AFTER cabinets and countertop have been installed, makes sure the cabinet is secured, plumb, and level. Failure of this step can lead to product damage.
- **After determining** the reveal type, proper layout for the undermount sink (not included) and faucet (not included) as well as the pilot holes have been drilled on the underside of the countertop, you may begin placing the clips/fasteners in.

Take note: The drilled holes should be appr. 1" from the edge of the sink's cutout. Holes should be evenly spaced, approx. 6"- 8" apart, starting from every corner. The drilled hole should be 5/16" in diameter and no more than 3/8" deep.

- **Place epoxy in the drilled hole** then insert the brass anchors into the drilled pilot hole and lightly tap them with a hammer. Wait until the epoxy cures per manufacturer's instructions.

- **Loosely attach sink clip hardware** with the butterfly/wing nut screws. Make sure the mounting brackets are parallel to the cutout opening, and lined up against the lip. Add sink and verify its position and alignment.
- **After verifying** the sink's position/alignment and that the sink has been pressed onto countertop's underside, turn the bent end of the mounting bracket so it fits snugly over the sink's rim. Check alignment of the sink again and tighten fasteners to secure the sink.
- **Carefully** remove any excess epoxy/sealant from all surfaces and around hole on underside of countertop.

ASSEMBLY



TOOLS NEEDED FOR ASSEMBLY (not included)



Questions, problems, missing parts? Before returning, call our customer service department at 844.404.4242, 8:00 a.m. - 5 p.m., MST Monday - Friday or e-mail us at: support@novatto.com