



NOVATTO

WHERE STYLE FLOWS

Kitchen Porcelain Ceramic Sink Guide



High Gloss
Easy to Clean

Durable
Thick Side Walls

Drain Opening
3.5" Standard

Installation
Apron Front or
Undermount

THANK YOU

We would like to take this opportunity to thank you for choosing Novatto. We hope you are truly satisfied with our product(s) and enjoy them for years to come. As a small business, we learn the most from you, the customer. Please visit the link below to leave us a review along with high resolution picture(s). You could win a \$25 Amazon or Visa gift card.

It's easy as...

- Go to novatto.com
- Navigate to your product's page. Scroll 1/2 way down, and on the right click "Write a Review"
- Review, submit and let your style flow

PORCELAIN/CERAMIC KITCHEN SINKS 101

Porcelain sinks have been around forever, and they're still popular, because porcelain is such an easy-to-clean material. As a sink material, porcelain has a lot more going for it than cast-iron, which is super heavy. Plus, the sink is coated with a thin layer of glass giving it its glossy appearance and durability.

Porcelain sinks though, do contain millions of minute pores which act as a natural gathering place for minerals, food, soap scum, liquids, etc... which can cause unsightly stains. The absorption and build up of water minerals over time will dull your sink's finish. But sealing it will create an impermeable barrier on the porcelain's surface, so deposits and soap scum can't possibly gather or collect. This will eliminate the creation of stains and makes future clean-up fast and easy.

A sink made of porcelain is a strong option that holds up well over time, so your sink should last for years if you care for it well.

TOOLS NEEDED FOR ASSEMBLY (not included)

Specialized tools may be necessary to install Novatto's undermount or apron front sinks with countertop materials other than wood, marble, or granite.



NOVATTO
WHERE STYLE FLOWS

Novatto | P: 844.404.4242
support@novatto.com
Novatto.com



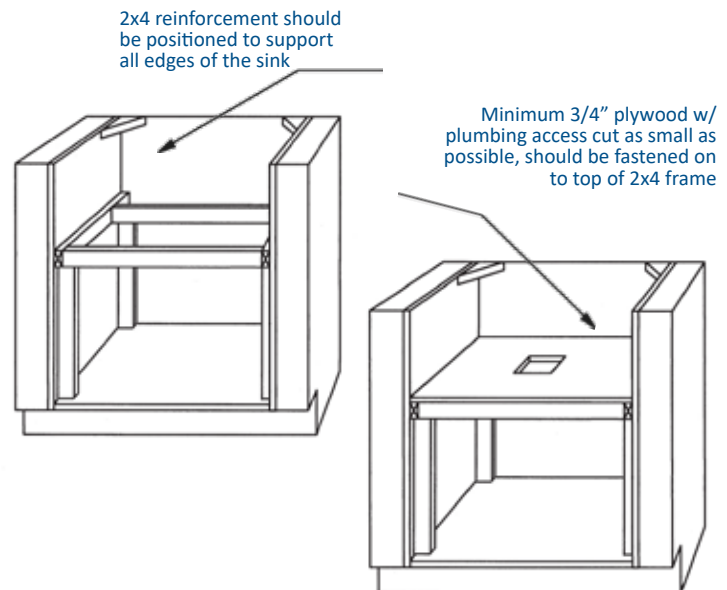
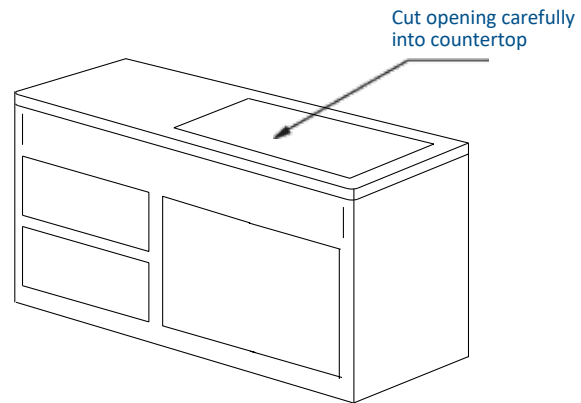
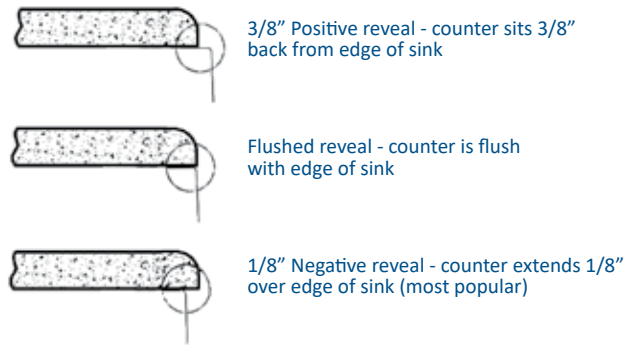
Questions, problems, missing parts? Before returning to your retailer, call our customer service department at 844.404.4242, 9:00 a.m. - 5 p.m., MST, Monday - Friday. Or email us at: support@novatto.com

Steps to Complete Your Undermount Sink Project

Undermount sinks may require custom cabinetry. We highly recommend consulting an experienced cabinet maker for assistance. Providing the cabinet maker with the actual sink that is to be installed will ensure a custom fit.

- **Determine reveal type:** positive, flush mount or a negative reveal.
- **Do not** place sink directly on floor. After unpacking, place sink on protective material such as the packing materials.
- **For layout,** use the actual sink as the template. No template is provided since each sink will vary slightly.
- **After centering the sink,** place it upside down on counter and mark the countertop by tracing the outline of the sink on to the counter-top to use as a guide for the cutout. Remember to allow clearance for the faucet, backsplash, water supply lines, drain(s), a garbage disposal (if applicable), plus make sure you have full range of motion for your faucet spout and handles.
- **Measure *inside edge*** of your sink's lip and mark counter according to your reveal type.
- **Cut countertop** using the inside line. **STOP** at this point and build your support frame.
- **Build 2x4 support frame** to reinforce area where sink will sit. Make sure ALL edges will be supported. Fasten 3/4" plywood (min.) to the 2x4 frame, cutting the smallest hole possible for plumbing access. The frame must support the weight of the sink, water plus.

The support frame should be positioned so when installed, the sink is in line and level with the top of the cabinet.



TROUBLESHOOTING TIPS - UNDERMOUNT

Issue	Reason	Solution
Sink seems to be sagging/separating from countertop	Silicon didn't set long enough before using; proper reinforcement not used	Reapply silicon, set for 24hrs; add reinforcement to secure the sink
Does not completely drain	Drain is too high; silicone/putty not removed	Make make sure drain is below bevel; remove excess putty/silicone
Sink is changing color or stained	Abrasive cleaners, soaps or other factors in contact with sink	Stop using abrasives, clean and re-seal; use a ceramic stain remover

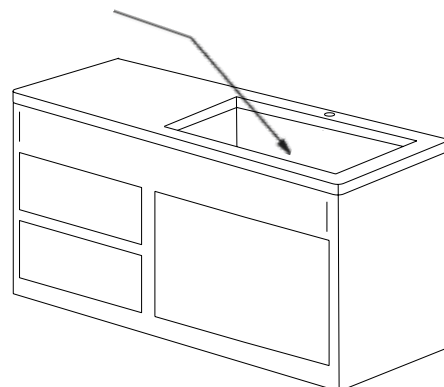
UNDERMOUNT ASSEMBLY

- **Before applying sealant**, test fit the sink by placing it under the cut-out to ensure a nice fit. The entire weight of the sink should be supported by the support frame. Verify the sink is in line and level with the top of the cabinet. Use shims, if needed, to level the sink.
- **Set the sink** and apply sealant as a gasket to fill in any gaps below the sink front and between the sink and counter-top. Make sure it is centered properly. Hold the sink in place to secure.
- **Carefully** remove any excess sealant from all surfaces and around hole on underside of countertop.
- **Once the sink** has fully set you may install the drain and fixtures. We suggest to install the drain (not included) and fixtures (not included) according to drain's and fixture's installation instructions. If you will have a garbage disposal, use the directions supplied with the garbage disposer to attach it and complete

installation. Make sure a watertight seal exists on all drain connections.

When cleaning up after installation, apply the Glacier Ice Sealer and do not use abrasive cleaners, as they may scratch and alter the surface and finish of the sink.

Install drain and faucet (not included);
connect water supply



PLEASE NOTE - APRON FRONT & UNDERMOUNT SINKS:

- Review and abide by all building and plumbing codes.
- Novatto sinks need to be installed by a licensed professional.
- Evaluate current or desired cabinetry. If you are building or remodeling the area from scratch, you will be able to choose cabinets specifically made for apron front or undermount sinks.

The importance of the cutout is the doors below will be built according to the area needed for the chosen sink.

- Novatto recommends consulting an experienced cabinet maker for assistance and providing them with the actual sink to ensure a custom fit. There is no template.
- Be careful when unpacking the sink, we advise setting it on the packing it was received with.
- Do not use standard plumbers putty or oil-based sealers. These products will stain the porcelain. Please use 100% silicone gel (non-water based) or a stain-free putty, on the inside of the drain to seal it to the sink.

CARE AND MAINTENANCE

For basic cleaning, apply the Glacier Ice sealer and then simply use a mild soap and water for your everyday cleaning. After each use, wipe the basin dry with a soft cloth. Do not allow mineral deposits such as iron, salt, lime, or soap to build up on your sink. The absorption and build up of water minerals, soap scum, food and liquids over time will tend to dull your sink's finish, and it will lose its shine after years of exposure. To keep your porcelain sink from potential staining and discoloration it is advisable to rinse out the sink right away and if needed wipe it down. This will ensure the sink maintains its color, gloss, and appearance for a very long time.

One of the distinctive characteristics of a porcelain sink is that contain millions of minute pores which act as a natural gathering place for minerals, food deposits and soap scum, which can cause unsightly stains. But Glacier Ice creates an barrier on the porcelain's surface, so these deposits can't possibly gather or collect. This eliminates the creation of stains and makes future clean-up fast and easy.

We suggest you leave the water running while working with acidic foods or pastes. If staining occurs, use a porcelain cleaner like Glacier Ice's Faucet and Sink Restorer Cleaner with Sealer Kit. **Warning:** Do NOT use acidic household cleaners, harsh chemical wipes, or abrasives.

APRON FRONT ASSEMBLY

Steps to Complete Your Apron Front Sink Project

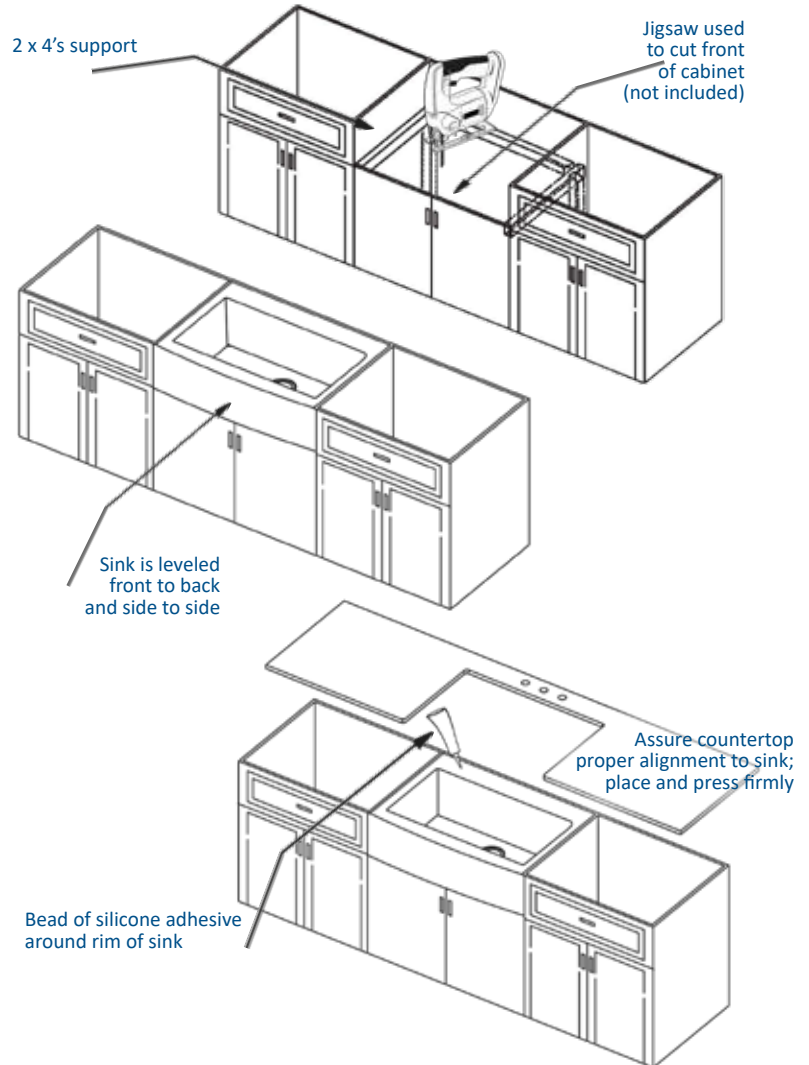
Farmhouse kitchen sinks may require custom cabinetry. We highly recommend consulting an experienced cabinet maker for assistance. Providing the cabinet maker with the actual sink will ensure a perfect fit.

- **Determine reveal type:** positive, flush mount or a negative reveal.
- **Create a custom support frame** using 2 x 4s or install support bars from front to back and along the inner sides of the cabinet. (See *Undermount install for plywood reinforcement.) The frame must adequately support the weight of the sink with water, underneath and all attachments. The support frame should be positioned so when installed, the sink is in line and level with the top of the cabinet. We strongly recommend bracing vertical supports down to the floor as well.
- **For layout,** no template is provided since each sink will vary slightly. After centering the sink, ensure adequate space for faucet, handles and spout, back-splash as well as full range of motion for faucet handles and spout. Use a pencil to outline the sink as the guide for the cut-out. Keep in mind the edge reveal type and make the proper cut-out in the countertop. We highly recommend using a professional installer.
- **Test fit the sink** into the cabinet front cut-out. The entire weight of the sink should be supported by the support frame. Verify the sink is in line and leveled front to back as well as side to side. Use shims, if needed, to level the sink.
- **Set the sink** and apply the Glacier Ice. Hold the sink in place to secure.
- **Apply a bead** of silicone around the top edge of sink. Make sure countertop is centered and properly placed accordingly. Remove any excess silicone from all surfaces.

3/8" Positive reveal - counter sits 3/8" back from edge of sink

Flushed reveal - counter is flush with edge of sink

1/8" Negative reveal - counter extends 1/8" over edge of sink (most popular)



- **Install the drain (not included)** according to the drain's installation instructions. Make sure a watertight seal exists on all drain connections.

TROUBLESHOOTING TIPS - APRON FRONT

Issue	Reason	Solution
Finish is changing color or loosing its shine	Abrasive cleaners, soaps or other factors constantly in contact with finish.	Stop using abrasives and clean well and apply Glacier Ice sealer
There is a gap on the side	Sink wasn't installed level	Make sure your professional installer levels the sink with shims
Sink seems to be sagging from countertop	Proper sink supports were not used	2 x 4's need to be built into the cabinet and down to the floor

WARRANTY

Novatto products have been made under the highest standards of craftsmanship and quality. Due to manufacturing characteristics of our porcelain products very slight variations in dimensions, and colorization are expected and are not considered defects. Porcelain sinks are durable and easy to clean. If you like the look, then it's hard to find a better choice.

Novatto offers no warranty with respect to the finish on the porcelain products, as it will naturally change over time and use. Novatto offers a warranty for defects in workmanship and/or materials for all of our collections when the product was purchased through an authorized Novatto dealer.

Under no circumstance will Novatto Inc. be held responsible for any damage as a result during or after product installation. Novatto accepts no liability for any damages to the floor, walls, plumbing or personal injury during installation. We will not be responsible for any labor or installation charges, or any other expenses associated with a defective product. Novatto Inc's only responsibility is the replacement, exchange, or repair of a defective product.

Get the most out of your Novatto sink by registering!

By registering, you activate Novatto's product's warranty. Plus you will receive helpful tips and product information, learn of special events and much more.

If you believe you have a warranty claim, contact Novatto, either through your local Dealer, Plumbing Contractor, Home Center, or by writing: Novatto, Inc., Attn.: Product Support, 3533 E. Corona Ave., Phoenix, AZ, 85040, USA. Please be sure to provide all pertinent information regarding your claim, including a complete description of the problem, the product, color, model number, the date the product was purchased and from whom the product was purchased. Also include your original invoice. For other information email: productsupport@novatto.com. or write to the above address.

Novatto's porcelain sinks are manufactured using molds, automated firing and glazing with calculated temperatures and glaze amounts. We do some small touch-ups and will use hand-held polishing tools as needed. Porcelain sinks have a classic look and they are very popular. To be sure Novatto's product fits perfectly in your home, we recommend purchasing the product first and then build accordingly.

Need more help?

Feel free to contact our technical support anytime at 844.404.4242 or email us at: productsupport@novatto.com. More information is also available at: www.Novatto.com.

FAQs

Do I need to seal my porcelain/ceramic sink?

All sealers will break down over time and become less effective. And the glaze on your porcelain sink is no different. Most ceramic sinks, to a degree, lose their luster and therefore it is important to protect your sink against harmful substances in every day use. Your ceramic sink will come with Glacier Ice which should be applied. We then recommend re-sealing with Glacier Ice every year or two. If your porcelain sink is properly sealed, it will pretty much last for hundreds of years!

Should I hire or consult a professional?

One average sized porcelain sink can weigh around 62 lbs! Then fill it with water and dishes... So, your sink may require custom cabinetry, as well as additional reinforcement in order to guarantee proper fit and safety. We highly recommend hiring an experienced cabinet maker for help.

Each sink will vary slightly in size because of the manufacturing process. Therefore, we suggest that you provide your cabinet maker with the actual sink to ensure a custom and safe fit. Otherwise, a poorly reinforced cabinet may lead to accidents, personal injury, or destruction of your sink.

Considering porcelain sinks are manufactured, are there any differences I should know about between them and other materials?

About the only problem with porcelain is that it can crack or chip, which typically happens if you drop something such as a heavy pot into your sink. It can also become stained which means food or liquids that are poured into the sink or food or liquids which aren't quickly wiped away can cause discoloration over time. But porcelain is a durable material, so with reasonable care, you can enjoy all the benefits this kind of sink offers.