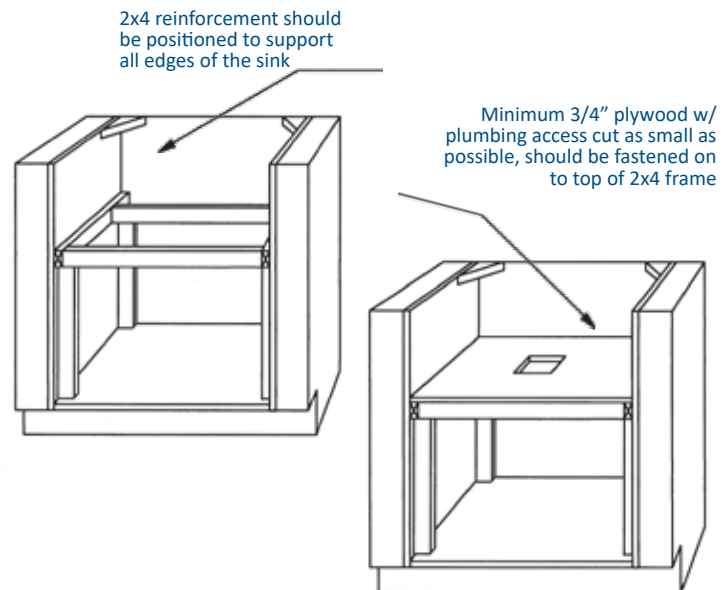
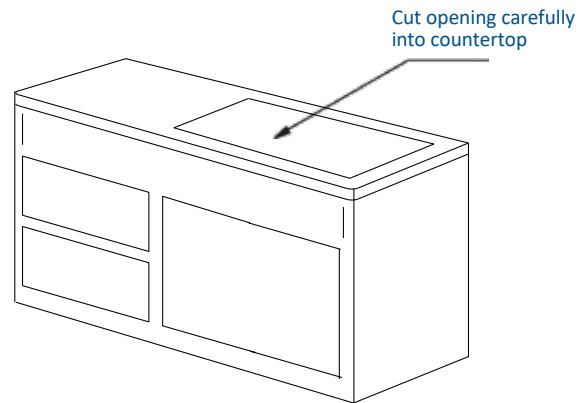
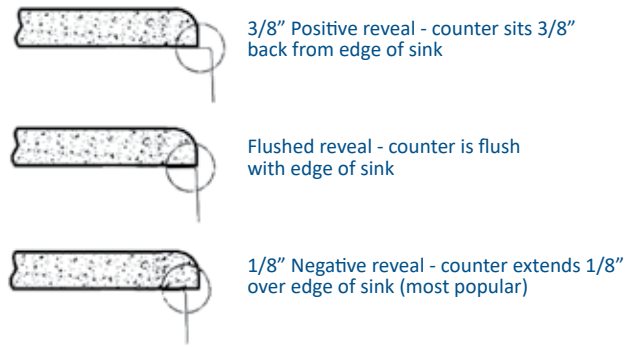


Steps to Complete Your Undermount Sink Project

Undermount sinks may require custom cabinetry. We highly recommend consulting an experienced cabinet maker for assistance. Providing the cabinet maker with the actual sink that is to be installed will ensure a custom fit.

- **Determine reveal type:** positive, flush mount or a negative reveal.
- **Do not** place sink directly on floor. After unpacking, place sink on protective material such as the packing materials.
- **For layout,** use the actual sink as the template. No template is provided since each sink will vary slightly.
- **After centering the sink,** place it upside down on counter and mark the countertop by tracing the outline of the sink on to the counter-top to use as a guide for the cutout. Remember to allow clearance for the faucet, backsplash, water supply lines, drain(s), a garbage disposal (if applicable), plus make sure you have full range of motion for your faucet spout and handles.
- **Measure *inside edge*** of your sink's lip and mark counter according to your reveal type.
- **Cut countertop** using the inside line. **STOP** at this point and build your support frame.
- **Build 2x4 support frame** to reinforce area where sink will sit. Make sure ALL edges will be supported. Fasten 3/4" plywood (min.) to the 2x4 frame, cutting the smallest hole possible for plumbing access. The frame must support the weight of the sink, water plus.

The support frame should be positioned so when installed, the sink is in line and level with the top of the cabinet.



TROUBLESHOOTING TIPS - UNDERMOUNT

Issue	Reason	Solution
Sink seems to be sagging/separating from countertop	Silicon didn't set long enough before using; proper reinforcement not used	Reapply silicon, set for 24hrs; add reinforcement to secure the sink
Does not completely drain	Drain is too high; silicone/putty not removed	Make make sure drain is below bevel; remove excess putty/silicone
Sink is changing color or stained	Abrasive cleaners, soaps or other factors in contact with sink	Stop using abrasives, clean and re-seal; use a ceramic stain remover

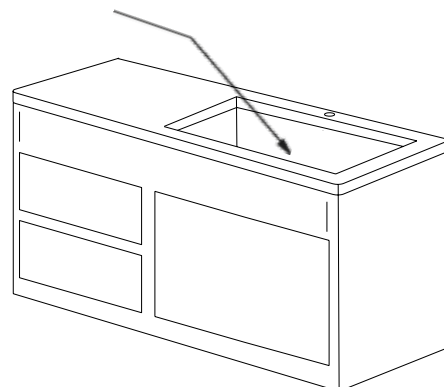
UNDERMOUNT ASSEMBLY

- **Before applying sealant**, test fit the sink by placing it under the cut-out to ensure a nice fit. The entire weight of the sink should be supported by the support frame. Verify the sink is in line and level with the top of the cabinet. Use shims, if needed, to level the sink.
- **Set the sink** and apply sealant as a gasket to fill in any gaps below the sink front and between the sink and counter-top. Make sure it is centered properly. Hold the sink in place to secure.
- **Carefully** remove any excess sealant from all surfaces and around hole on underside of countertop.
- **Once the sink** has fully set you may install the drain and fixtures. We suggest to install the drain (not included) and fixtures (not included) according to drain's and fixture's installation instructions. If you will have a garbage disposal, use the directions supplied with the garbage disposer to attach it and complete

installation. Make sure a watertight seal exists on all drain connections.

When cleaning up after installation, apply the Glacier Ice Sealer and do not use abrasive cleaners, as they may scratch and alter the surface and finish of the sink.

Install drain and faucet (not included);
connect water supply



PLEASE NOTE - APRON FRONT & UNDERMOUNT SINKS:

- Review and abide by all building and plumbing codes.
- Novatto sinks need to be installed by a licensed professional.
- Evaluate current or desired cabinetry. If you are building or remodeling the area from scratch, you will be able to choose cabinets specifically made for apron front or undermount sinks.

The importance of the cutout is the doors below will be built according to the area needed for the chosen sink.

- Novatto recommends consulting an experienced cabinet maker for assistance and providing them with the actual sink to ensure a custom fit. There is no template.
- Be careful when unpacking the sink, we advise setting it on the packing it was received with.
- Do not use standard plumbers putty or oil-based sealers. These products will stain the porcelain. Please use 100% silicone gel (non-water based) or a stain-free putty, on the inside of the drain to seal it to the sink.

CARE AND MAINTENANCE

For basic cleaning, apply the Glacier Ice sealer and then simply use a mild soap and water for your everyday cleaning. After each use, wipe the basin dry with a soft cloth. Do not allow mineral deposits such as iron, salt, lime, or soap to build up on your sink. The absorption and build up of water minerals, soap scum, food and liquids over time will tend to dull your sink's finish, and it will lose its shine after years of exposure. To keep your porcelain sink from potential staining, and discoloration it is advisable to rinse out the sink right away and if needed wipe it down. This will ensure the sink maintains its color, gloss, and appearance for a very long time.

One of the distinctive characteristics of a porcelain sink is that contain millions of minute pores which act as a natural gathering place for minerals food deposits and soap scum, which can cause unsightly stains. But Glacier Ice creates an barrier on the porcelain's surface, so these deposits can't possibly gather or collect. This eliminates the creation of stains and makes future clean-up fast and easy.

We suggest you leave the water running while working with acidic foods or pastes. If staining occurs, use a porcelain cleaner like Glacier Ice's Faucet and Sink Restorer Cleaner with Sealer Kit. **Warning:** Do NOT use acidic household cleaners, harsh chemical wipes, or abrasives.