

ASSEMBLY WITH SHOWER HEAD & HANDLE

Steps to Complete Your Shower Install

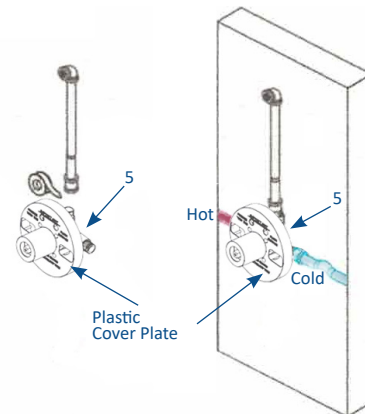
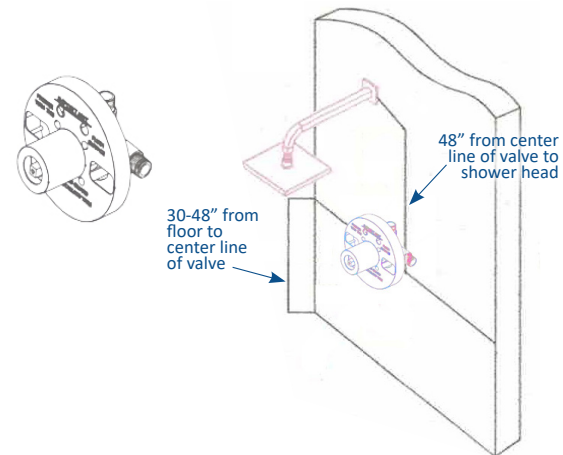
Applicable for the following shower series:

TBS-18020 TBS-18023 TBS-18015

Please Note:

- Review and abide by all building and plumbing codes.
- Standard codes for Novatto showers: cUPC/CSA/AB1953
- Novatto shower systems need to be installed by a professional.
- **We highly recommend using a professional** when installing a shower, handle and plumbing.
- **Prepare the bath area for installation:** It is assumed the water is turned off at the source, old fixtures have been removed and water supply lines (not included) are in the proper installation location. Also, verify that the hole sizes and positions of the old fixtures in the wall are correct.*
 - * **Recommended component measurements:** Shower outlet hole: 1" diameter
- **Remove existing shower valve** and fixtures. Clear any debris. Clean old sealant from any threaded connections.
- **Remove the cover plate (6)**, by unscrewing the two screws(7) that attach the plastic cover plate(6) to the valve body(5). Place it back on the valve's body(5) loosely to protect it.
- **Install the valve body(5) keeping the plastic cover plate on.*** Wrap plumber's tape (not included) around the threaded section of the pipes (not included) in a clockwise direction to ensure a watertight seal. Connect the water supply lines (not included), and shower outlet pipe (not included) to the valve body (5). Tighten the pipes to the valve body.
 - * **Important:** Take into consideration the thickness of your wall. If the valve is installed too far behind the finished wall, you may be left with insufficient clearance to attach the handle, and plate.
 - Recommended valve depth to finished wall:** 2" min. to 2.5" max. Ensure that the plastic black cover plate's surface is flushed with the finished exterior surface of the wall.

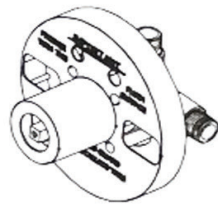
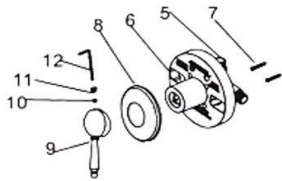
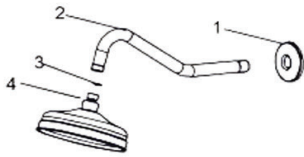
- The valve comes with a black plastic cover plate that serves as a guide for the depth at which the valve must be set.
- Block the shower drain to prevent small parts from falling into it. Place a blanket or piece of cardboard on the floor of your shower to protect it against dropped tools.



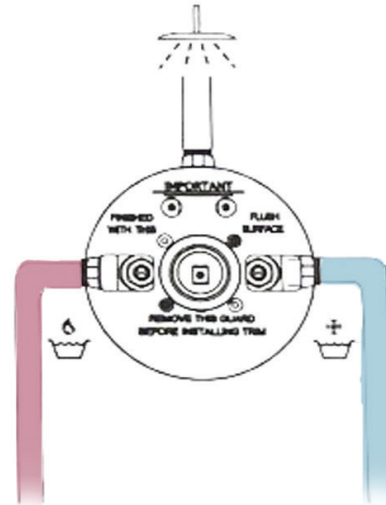
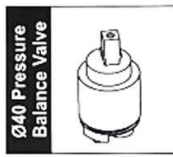
TROUBLESHOOTING TIPS

<u>Issue</u>	<u>Reason</u>	<u>Solution</u>
Need to access plumbing lines	Hot/cold lines connected incorrectly	Ask your plumber to install an access panel in case you need to get in
Leaking from under the handle	Dirt and debris collected in the valve/cartridge	Blow out pipe/hoses; Might have to replace the valve/cartridge
Finish is changing color or is shiny	Abrasive cleaners, soaps or other factors constantly in contact with it.	Stop using abrasives; Replace parts
Low Water Pressure/Flow	Shut-off valves not open all the way; Debris or air-pockets in pipes	Check the shut-off valves, must be open all the way; Blow out pipe/hoses

DIAGRAM AND PARTS LIST



1. Trim
2. Shower arm
3. Gasket
4. Shower head
5. Valve body
6. Cover plate
7. Tapping screw
8. Panel
9. Handle
10. Screw
11. Red/ blue button
12. Allen key



- **Remove the black plastic cover plate.** Install handle(9) onto valve(5). Install the shower trim(1), and arm(2). Wrapping plumber's tape (not included) around the threaded section of the pieces in a clockwise direction to ensure a watertight seal. **STOP!***

- **Test for leaks. With handle(9) in the Off position,** turn on water slowly from source. Test for 3 mins. Place handle (9) in *On* position. Test for 3 mins. If no leaks, shut off the water at the faucet and supply lines. Remove the handle(9), put black plastic cover plate back on loosely to protect valve as you finish up.*

TIP: The valve body comes with water flow regulators. If there is some deviation between the cold and hot water flow, you may adjust by turning the hex nuts

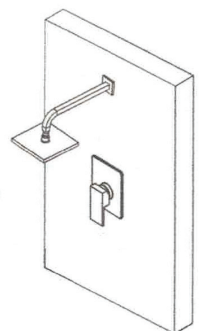
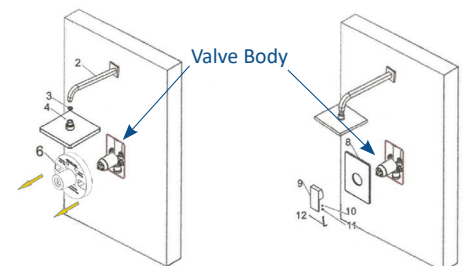
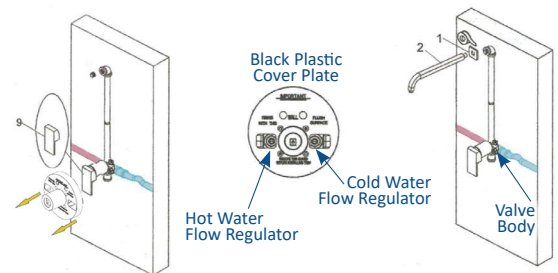
* **Important:** COMPLETE CONSTRUCTION OF THE SECTIONS, INCLUDING ANY FINISHED WALL MATERIALS SUCH AS TILE, BEFORE PROCEEDING WITH THE REMAINDER OF THE INSTALLATION. **STOP!***

- **Once the finished areas are complete,** attach the shower head(4) with the gasket(3), to the arm(2) using a wrench. Remove the black plastic cover plate(6) from the valve.

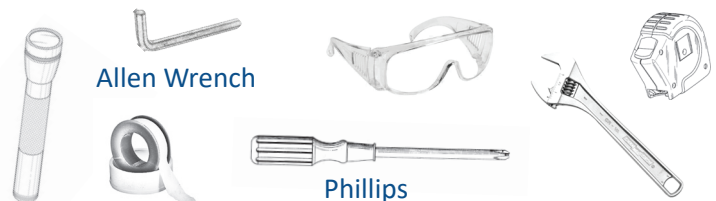
TIP: Place a cloth between the wrench and shower head to avoid damaging the finish.

- **Remove small hot/cold indicator button(11)** on handle, to reveal small hexagonal socket and an Allen screw(10). You might have to loosen it, using an Allen wrench (not included), in order to attach the handle to the valve body(5). Place the escutcheon plate(8) firmly over the valve. Align the Allen screw(10) in the handle, to the hole in the valve body. Once handle is in place, tighten the Allen screw(10) underneath to secure it to the valve body. Replace the small hot/cold indicator button(11). (Red on left, blue on right.)

- **When the installation is complete,** turn the handle to the "mix" position, then slowly turn the main water supply lines to their full open position and allow the water to flow, until all foreign matter has been flushed out of the line. Run hot and then cold for one minute each. Adjustments might need to be made at the main water supply lines for your desired flow rate.



TOOLS NEEDED FOR ASSEMBLY (not included)



Questions, problems, missing parts? Before returning to your retailer, call our customer service department at 844.404.4242, 9:00 a.m. - 5 p.m., MT, Monday - Friday or email us at: support@novatto.com