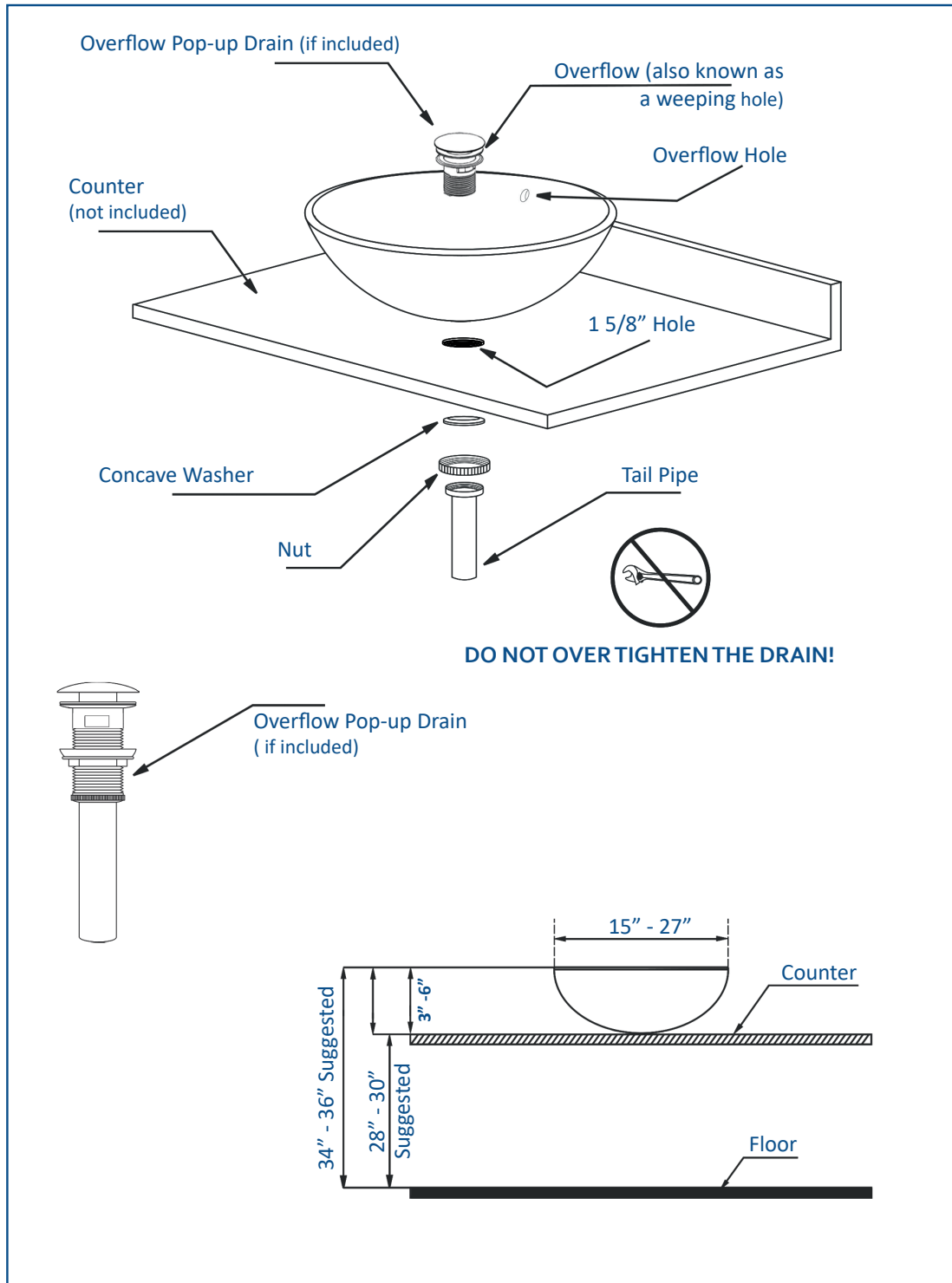


ASSEMBLY



TROUBLESHOOTING TIPS

<u>Issue</u>	<u>Reason</u>	<u>Solution</u>
Sink wobbles or is loose	Drain is loose; possible adhesive issues	Tighten drain; add proper amount of adhesive
Does not completely drain	Overflow pop-up is too high; silicone excess	Sit drain correctly; remove excess silicone from around flange
Leakage under sink	Drain has come loose; gaskets not position correctly; plumber's tape not use	Tighten the fastener; position gaskets face up; Use plumber's tape on thread area from bottom of larger gasket