



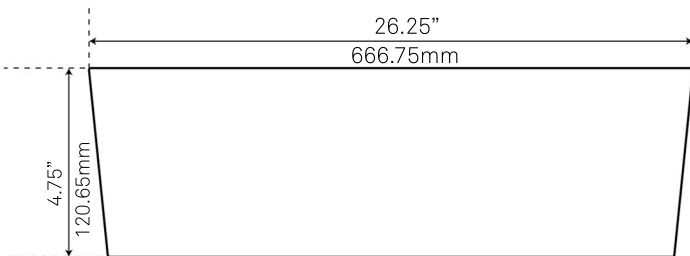
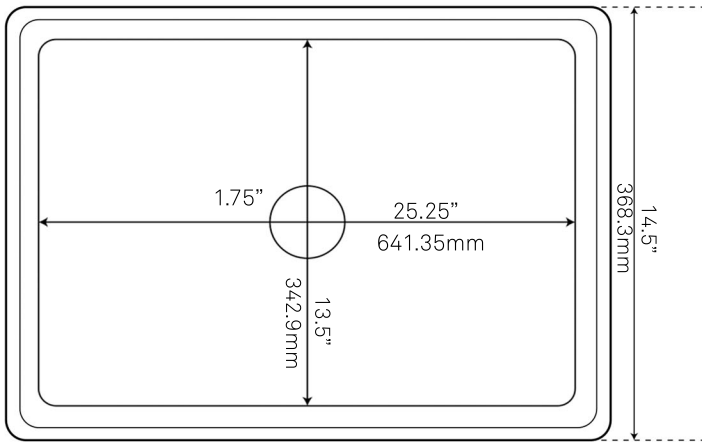
## NP-208513 Rectangular White Sink with Grooved Exterior

Requested By:

---

Specific Features:

---



### STANDARD SPECIFICATIONS:

- Rectangle bright white glossy porcelain vessel sink with grooved sides
- No overflow
- Scratch resistant and non-porous surface
- Designed for above counter installation
- Standard plumbing connections

### WARRANTY:

Limited lifetime warranty

- See [www.NovattoInc.com](http://www.NovattoInc.com) for details

### COORDINATING ACCESSORIES:

- UPD-BN/CH/ORB/MB umbrella drain
- Glacier Ice Restoration and Sealer kit

### NOTES

Novatto reserves the right (1) to make changes in specifications and materials, and (2) to change or discontinue models, both without notice or obligation. Dimensions are for reference only, see [www.NovattoInc.com](http://www.NovattoInc.com) for finish options and product availability.

Novatto Inc  
TOLL FREE 844.404.4242  
[www.NovattoInc.com](http://www.NovattoInc.com)