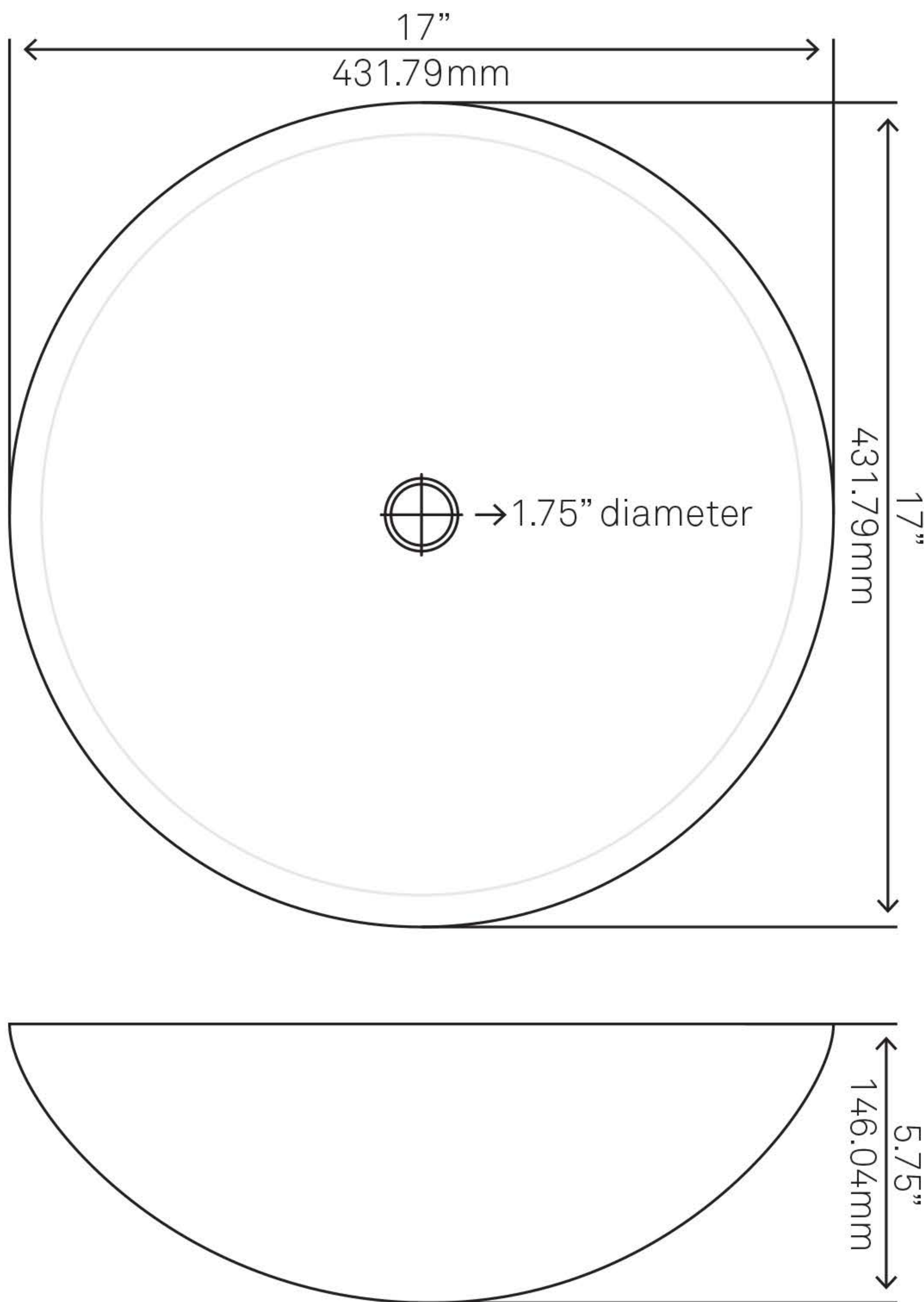




**NOSV-LM
Lunar Marble Vessel Bath Sink**

Requested By:

Specific Features:



STANDARD SPECIFICATIONS:

- Round marble vessel sink, natural stone
- Artisan hand crafted
- Above counter installation
- No overflow
- Inside Dimension: 15.75-inches
- Height: 5.75-inches
- 5/8" thick
- No mounting ring necessary
- Standard U.S. plumbing connections
- Item weight: 24lbs
- Material: Marble stone
- Color may vary from piece to piece

WARRANTY:

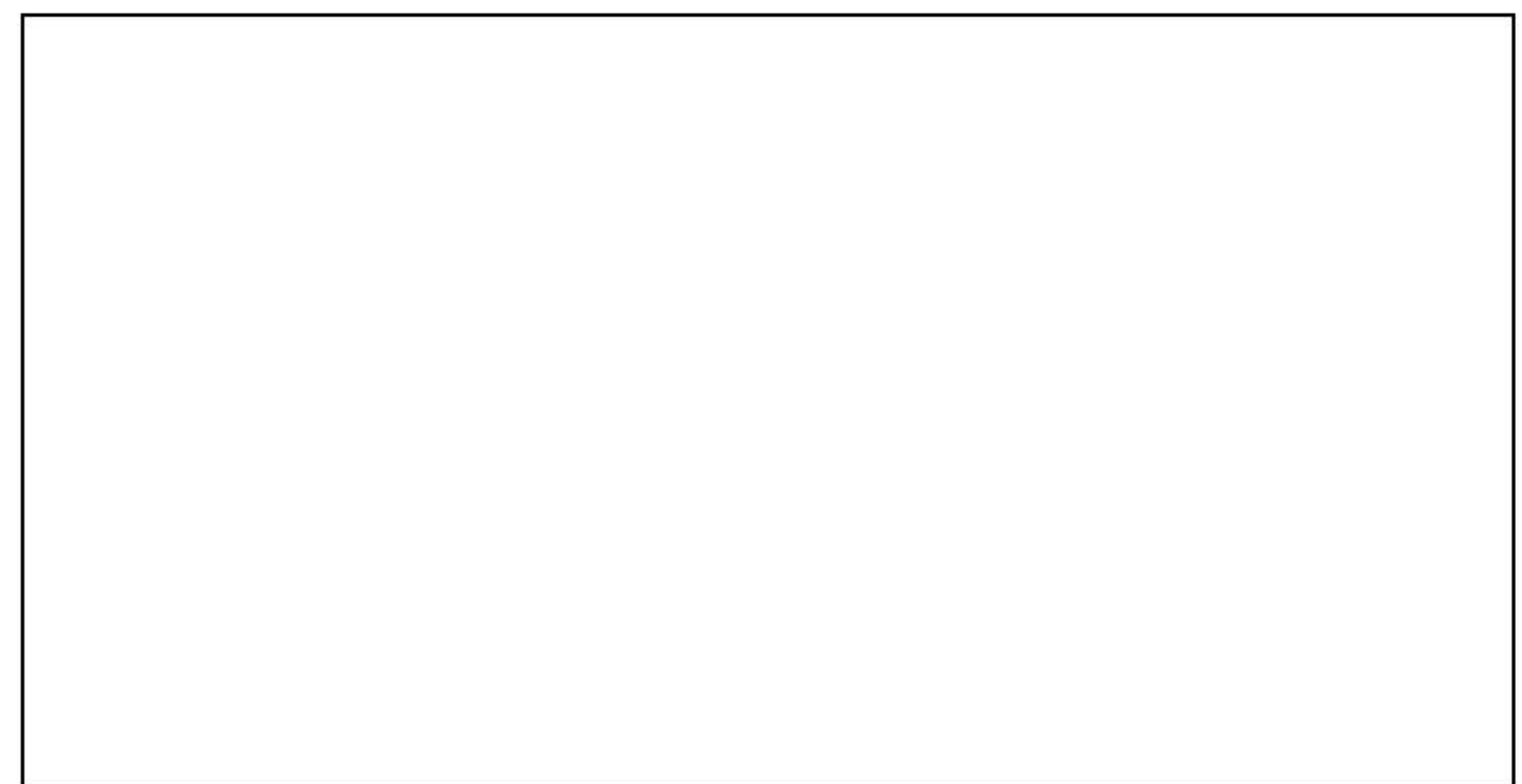
Limited lifetime warranty

- See www.NovattoInc.com for details

COORDINATING ACCESSORIES:

- UPD-BN/CH/ORB Umbrella drain
- Glacier Ice Restoration and Sealer kit

NOTES



Novatto reserves the right (1) to make changes in specifications and materials, and (2) to change or discontinue models, both without notice or obligation. Dimensions are for reference only, see www.NovattoInc.com for finish options and product availability.

Novatto Inc
TOLL FREE 844.404.4242
www.NovattoInc.com