

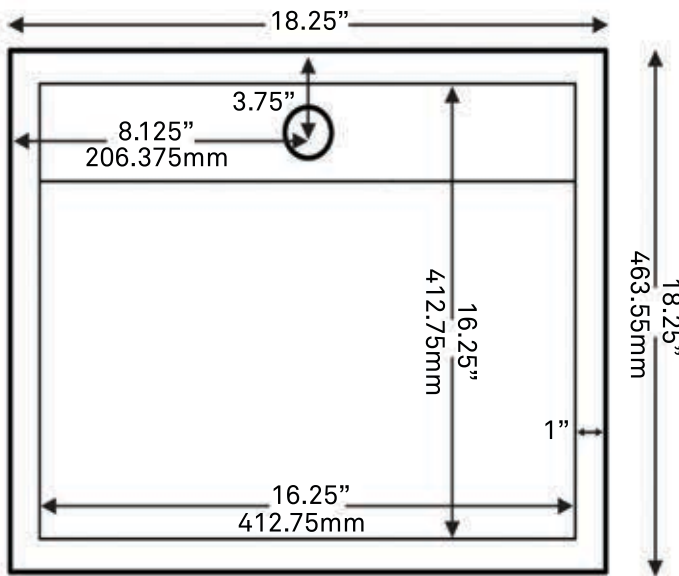


NOSV-ANSQ

Absolute Black Granite Square Vessel Sink with Chiseled Exterior

Requested By: _____

Specific Features: _____



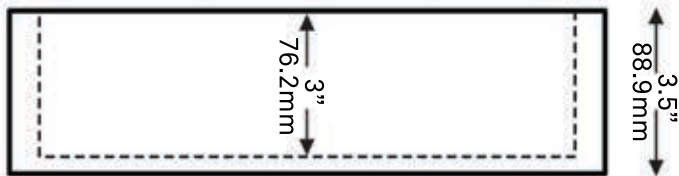
STANDARD SPECIFICATIONS:

- Square granite vessel sink
- Polished black interior
- Natural textured exterior
- Hand crafted by our master artisans
- Above counter installation
- No mounting ring required
- Standard U.S. plumbing connection
- Due to its handcrafted nature, always measure sink on-site to ensure cut-out accuracy.

WARRANTY:

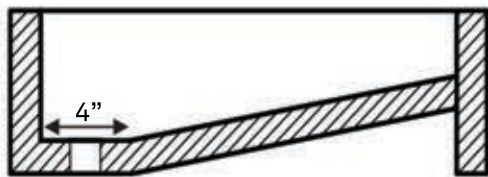
Limited lifetime warranty

- See www.Novatto.com for details



COORDINATING ACCESSORIES:

- UPD-BN/CH/ORB/MB umbrella drain
- Glacier Ice Restoration and Sealer kit



NOTES

Novatto reserves the right (1) to make changes in specifications and materials, and (2) to change or discontinue models, both without notice or obligation. Dimensions are for reference only, see www.Novatto.com for finish options and product availability.

Novatto Inc
TOLL FREE 844.404.4242
www.Novatto.com